

20 PRODUCT 24 CATALOG



B-TEK Scales, LLC
1510 Metric Ave. S.W., Canton, Ohio 44706
800.266.8900 • 330.471.8900 • Fax: 330.471.8909
sales@b-tek.com • B-TEK.COM

- Business Hours: Monday - Friday 8:00 AM to 5:00 PM EST
- Shipping Terms: All UPS and LTL shipments will be sent "pre-paid and add" unless otherwise directed
- LTL Carrier: B-TEK will use the LTL carrier providing the best value to the requested destination
- UPS Shipments: Cut-off time for same-day parts shipment - 4:00 PM EST

B-TEK RETURNED GOODS & WARRANTY EVALUATION PROCESS:

- Contact B-TEK and request a Return Authorization (RA) or Warranty Evaluation (WE) form prior to returning the item. The form will be generated by B-TEK with a "Claim Number" and faxed or emailed as required.
- A product serial number, B-TEK order number, B-TEK invoice number or original purchase order number is required to start the Return or Warranty process.
- Warranty claims MUST be supplied with information specific to the error, damage or defect of the product.
- A copy of the RA / WE form or Claim Number must be included along with the returned item.
- B-TEK Scales is not responsible for shipping damage to items being returned. Please pack items carefully.
- Freight cost associated with Returns or Warranty will be paid by the party returning the item.

RETURN TO STOCK - B-TEK MANUFACTURED PRODUCTS:

- Returned items are subject to a restocking fee equal to \$30.00 or 20% of dealer net price, whichever is greater.
- Items must be returned within 30 days of receipt.
- Items must be received in unused "Like New" condition and returned with original packaging.
- Items returned after 30 days or not received in "Like New" condition will be subject to a reconditioning / repacking fee.

RETURN TO STOCK - B-TEK RESALE OR SPECIAL ORDER PRODUCTS:

- Returned items are subject to a restocking fee equal to \$30.00 or 20% of dealer net price, whichever is greater.
- Items must be returned within 30 days of receipt.
- Items must be received in unused "Like New" condition and returned with original packaging.
- Items returned after 30 days or not received in "Like New" condition will be subject to a reconditioning / repacking fee.
- Special order items will be subject to restocking fees determined on a case-by-case basis.

WARRANTY EVALUATION (WE) - B-TEK MANUFACTURED PRODUCTS:

- Item must be returned within 30 days of issuance of WE claim number.
- Replacement parts can be requested at time of WE claim. Replacement part and freight costs are subject to invoicing if WE claim is denied.
- New, refurbished, or repaired parts may be sent out as replacements at B-TEK discretion.
- If replacement parts are not requested at time of WE claim, item will be repaired / replaced and returned.
- B-TEK will cover the outgoing freight cost of warranted parts via UPS GROUND only. Freight cost associated with expedited shipment of warranted parts will be cover by others.
- If entire indicators / assemblies are returned for warranty exchange, please see Return to Stock policy. Customer may be invoiced for item if not returned in "Like New" condition.
- If item is eligible for labor / travel expense reimbursement, the appropriate section of the WE claim form must be completed and returned with item.
- When claim is closed, customer will receive a completed "Return Evaluation Form" with descriptions of findings.
- Customer is responsible for reviewing this form and reporting any discrepancies within 10 days of claim completion.

WARRANTY EVALUATION (WE) - B-TEK RESALE OR SPECIAL ORDER PRODUCTS:

- Item must be returned within 30 days of issuance of claim.
- Replacement parts can be requested at time of WE claim. Replacement part and freight costs are subject to invoicing if WE claim is denied.
- New, refurbished or repaired parts may be sent out as replacements at B-TEK discretion.
- If replacement parts are not requested at the time of claim, B-TEK will return item to the manufacturer for repair. The item will then be returned to customer.
- If entire indicators / assemblies are returned for warranty exchange, please see Return to Stock policy. Customer may be invoiced for item if not returned in "Like New" condition.
- B-TEK resale or special order products will follow the published warranty period and policy of manufacturer.
- B-TEK resale or special order products are never eligible for labor / travel expense reimbursement.

Table of Contents



Flat Top Motor Truck Scales	
Centurion-DT Digital Steel Deck.....	10
Centurion-DT-CD Digital Concrete Deck.....	12
Centurion-AT Analog Steel Deck.....	14
Centurion-AT-CD Analog Concrete Deck.....	16
Hybrid-DT Digital Steel Deck.....	18
Hybrid-AT Analog Steel Deck.....	20
Endurance-AT Analog Steel Deck.....	22
Duratron EFTS Analog Steel Deck.....	24
Duratron EFTC Analog Concrete Deck.....	26
Heavy Duty Steel Deck Off-Road Vehicle Scale.....	28
Side Rail Motor Truck Scales	
Heavy Duty Side Rail CPR-M Analog Steel Deck.....	30
Heavy Duty Side Rail CPD-M Digital Steel Deck.....	32
Heavy Duty Side Rail CPR-M Analog Concrete Deck.....	34
Heavy Duty Side Rail CPD-M Digital Concrete Deck.....	36
Pit Type Motor Truck Scales	
Pit Type CPR-M Analog Steel Deck.....	38
Pit Type CPD-M Digital Steel Deck.....	40
Pit Type CPR-M Analog Concrete Deck.....	42
Pit Type CPD-M Digital Concrete Deck.....	44
Durline MTC Pit Type Electro-Mechanical Concrete Deck.....	46
Portable Truck / Axle Scales	
Centurion Self Contained Portable.....	48
Hybrid Self Contained Portable.....	50
Centurion / Hybrid Portable Steel Ramp & Steel Level Approach.....	52
Durline PVS Electro-Mechanical Steel Deck Portable.....	54
Portable Axle Scales - AX200.....	56
Portable Axle Scales - AX300.....	58
Rail Scales	
BT-RS Series Low-Profile Rail Scale.....	60
BT-RS Rail / Truck Combination Scale.....	62
Truck Scales Accessories	
Centurion / Hybrid Options & Accessories.....	64
Scale Replacement Parts.....	68
CPD-M and CPR-M Load Cells.....	70
DILINK System - Analog Load Cell / Digital Conversion Kit.....	72
Primary Digital System (PDS) - Load Cell Retrofit Kit.....	74
Primary Analog System (PAS) - Load Cell Retrofit Kit.....	76
Primary Digital System (PDS) - Digital Mettler Conversion Kit.....	78
Primary Analog System (PAS) - Analog Mettler Conversion Kit.....	80
High Impact / Coil Scale	
Full Electronic Hi-Impact / Coil Scale.....	82
Colossus.....	84
DD Indicators	
DD 700 Indicator.....	86
DD 700ic Indicator.....	88
DD 700i Indicator.....	90
DD 2050 Unattended Scale Terminal.....	92
DD 1050 Scale Terminal.....	94
DD 1050i Scale Terminal.....	96
DD 1010i Scale Terminal.....	98
DD 1010ic Scale Terminal.....	100
DD 1010 Skynet.....	102
Software	
ScaleSoft.....	106
Nexia.....	107
ScaleSuite.....	110

Table of Contents



Scale Indicators	
T401S Indicator	112
T403S/SP Indicator	114
T405S/SP Indicator	116
T4019S/SP Indicator	120
T503W Indicator	124
BWS Indicator	125
T103P Indicator	126
T103SB Indicator	127
D70ES	128
D410/450/800	129
Floor Scales	
WorldWEIGH Floor Scale	130
4 Square Floor Scale	132
Clydesdale Carbon Steel Floor Scale	134
Clydesdale Carbon Steel Accessories	138
Clydesdale Portability & Riser Frames	139
Clydesdale Stainless Steel Floor Scale	142
Clydesdale Stainless Steel Accessories	144
Lift Deck Stainless Steel Floor Scale	146
Clydesdale Matrix UW	148
Cargo Scales	150
RPS Floor Scale	154
Workhorse Carbon Steel Floor Scale	156
Drum Scale Carbon Steel & Stainless Steel	158
Above Ground / In-Floor Wheelchair / Patient Scale	162
Weigh-A-Round Portable Carbon Steel & Stainless Steel Scale	164
Livestock Scales	166
Bench / Counting Scales	
Counting Bench Scale - C100	168
Counting Bench Scale - C200	170
HRCS High Resolution Counting Scale	172
HRB Dgital Bench Base	173
AccuSure Precision Bench Scale	178
Portion WD Bench Scale	179
Bench Scale - C300	180
Industrial Bench Scale - Carbon Steel	182
Industrial Bench Scale - Stainless Steel	184
Industrial Bench Scale - Stainless Steel Hermetic Load Cell	186
AquaShield Washdown Bench Scale	188
AquaShield Washdown Base / Column / Indicator	190
AquaShield High Pressure Washdown Base / Column / Indicator	192
Overhead Scales	
CNS Crane Scale	194
Monorail Scale	195
TL & TLW Hanging Scales	196
Miscellaneous Scales	
Weigh Rail	198
Pallet Jack Scale - T100	199
U-Style Scale	200
Portable Hopper Scale	202
Electronic Peripheral Devices	
Alpha-Numeric Remote Displays	204
Numeric Displays	206
Wireless Transceivers	208
Truck-On-Scale Sentinel	209
Intercom Systems	210
Traffic Signal LED	216
TL-280 Smart LED Traffic Signal	217
Traffic Signal Standard Pole Mounted	218
Printers	219

Table of Contents



Heavy Capacity Test Equipment	
Slab Test Weights.....	220
4 Wheel Test Cart.....	221
6 Wheel Test Cart.....	222
Combo Rail / Truck Scale Test Cart.....	223
Open Bed Test Truck.....	224
Enclosed Box Test Truck.....	225
Load Cell and Hardware	
Compression Load Cells.....	6
S-Type Load Cells.....	12
Single Point Load Cells.....	18
Single Ended Shear Beams.....	32
Double Ended Shear Beams.....	46
Load Cell Tank Mounts.....	68
Hardware and Accessories.....	80

Centurion-DT



CPD-M Digital Cell - Steel Deck



GENERAL SPECIFICATIONS

- Certificate of Conformance: 03-096A3
- Type: Above ground flat top and pit installation
- Scale Capacity: Up to 270K lb
- Concentrated Load Capacity: 100K lb standard - up to 120K lb
- "r" Factor Rating: 2.94
- Scale Height: 16" standard height - custom height down to 12"
- Available Widths: 10' - 14'
- Weighbridge Deck: 3/8" tread plate decking - welded to Quad Beam weighbridge
- Steel Preparation: Commercial blast cleaning SSPC-SP6
- Paint System: Cross-linked two-part epoxy primer followed by two-part polyurethane top coat
- Load Cell: 77K CPD-M digital compression column load cell, RS-485 digital output
Stainless steel hermetically sealed (IP68/69K) construction
- Load Cell Cable: Stainless steel sheathed cable with clear polymer protective coating
- Junction Box: NEMA 4X stainless steel enclosure(s) and 8-cell terminal board with GDT surge protection
- Surge Protection: CPD-M digital load cells along with digital indicator protect against lightning
Built-in surge protection enhanced by Tripp Lite Isobar Ultra 4-Outlet AC line transient protection device and two in-line serial port surge protection devices
- Warranty: 5-Year or optional 10-Year "End-Wall to End-Wall" parts, labor and travel warranty covering the weighbridge, load cells, load cell cables, junction box and DD 700 indicator from failure or damage due to surge voltage or lightning strike
- Indicator: *Supplied with a DD 700 ABS desk-top digital indicator*
- Printer: *Supplied with a Epson TM-U295 ticket printer and printer cable*



Scale includes: foundation anchor bolts (3/4" x 7"), assembly hardware, weighbridge checking system, load cells, load cell cables, load cell mounting kit and shims, stainless junction box, Isobar Ultra 4-outlet surge protection device, all ground cables, cable conduits, 50' of homerun cable, DD 700 ABS desktop indicator, Epson TMU295 ticket printer with printer cable and (2) order specific scale / foundation prints.

Scale does not include: foundation rebar, end-wall or approach wall coping, end-wall bumper checking plates, freight cost to site and any other required permits.

Centurion-DT



CPD-M Digital Cell - Steel Deck

Model Number	Cells	Modules	Length	Width	Capacity
CT-1211-DT	4	1	12'	11'	150K
CT-2411-DT	4	1	24'	11'	150K
CT-3011-DT	6	2	30'	11'	200K
CT-3611-DT	6	2	36'	11'	200K
CT-4011-DT	6	2	40'	11'	200K
CT-4811-DT	6	2	48'	11'	200K
CT-6011-DT	8	3	60'	11'	270K
CT-7011-DT	8	3	70'	11'	270K
CT-7211-DT	8	3	72'	11'	270K
CT-8011-DT	10	4	80'	11'	270K
CT-8411-DT	10	4	84'	11'	270K
CT-9011-DT	10	4	90'	11'	270K
CT-9611-DT	10	4	95'	11'	270K
CT-10011-DT	12	5	100'	11'	270K
CT-10811-DT	12	5	108'	11'	270K
CT-12011-DT	12	5	120'	11'	270K
CT-1212-DT	4	1	12'	12'	150K
CT-2412-DT	4	1	24'	12'	150K
CT-3012-DT	6	2	30'	12'	200K
CT-3612-DT	6	2	36'	12'	200K
CT-4012-DT	6	2	40'	12'	200K
CT-4812-DT	6	2	48'	12'	200K
CT-6012-DT	8	3	60'	12'	270K
CT-7012-DT	8	3	70'	12'	270K
CT-7212-DT	8	3	72'	12'	270K
CT-8012-DT	10	4	80'	12'	270K
CT-8412-DT	10	4	84'	12'	270K
CT-9012-DT	10	4	90'	12'	270K
CT-9612-DT	10	4	96'	12'	270K
CT-10012-DT	12	5	100'	12'	270K
CT-10812-DT	12	5	108'	12'	270K
CT-12012-DT	12	5	120'	12'	270K

Model Number	CT-12xx	CT-24xx	CT-30xx	CT-36xx	CT-40xx	CT-48xx	CT-60xx	CT-70xx	CT-72xx	CT-80xx	CT-84xx	CT-90xx	CT-96xx	CT-100xx	CT-108xx	CT-120xx
Actual Length	13' 6-1/2"	25' 6-1/2"	30'	36' 9-1/4"	40'	48' 9-1/4"	60'	70'	72'	80'	83' 2-3/4"	90'	95' 2-3/4"	100'	106' 5-1/2"	118' 5-1/2"

Centurion-DT-CD



CPD-M Digital Cell - Concrete Deck



GENERAL SPECIFICATIONS

- Certificate of Conformance: 03-096A3
- Type: Above ground flat top and pit installation
- Scale Capacity: Up to 270K lb
- Concentrated Load Capacity: 100K lb standard - up to 120K lb
- "r" Factor Rating: 2.94
- Scale Height: 16" standard height - custom height down to 12"
- Available Widths: 11' & 12' standard widths (10' by request)
- Weighbridge Deck: 8" concrete deck with factory installed tin and rebar - "Ready to Pour"
- Steel Preparation: Commercial blast cleaning SSPC-SP6
- Paint System: Cross-linked two-part epoxy primer followed by two-part polyurethane top coat
- Load Cell: 77K CPD-M digital compression column load cell, RS-485 digital output
Stainless steel hermetically sealed (IP68/69K) construction
- Load Cell Cable: Stainless steel sheathed cable with clear polymer protective coating & water-tight connectors
- Junction Box: NEMA 4X stainless steel enclosure(s) and 8-cell terminal board with GDT surge protection
- Surge Protection: CPD-M digital load cells along with digital indicator protect against lightning
Built-in surge protection enhanced by Tripp Lite Isobar Ultra 4-Outlet AC line transient protection device and two in-line serial port surge protection devices
- Warranty: 5-Year or optional 10-Year "End-Wall to End-Wall" parts, labor and travel warranty covering the weighbridge, load cells, load cell cables, junction box and DD 700 indicator from failure or damage due to surge voltage or lightning strike
- Indicator: Supplied with a DD 700 ABS desk-top digital indicator
- Printer: Supplied with a Epson TM-U295 ticket printer and printer cable



Scale includes: modules with factory installed tin and rebar, foundation anchor bolts (3/4"x7"), assembly hardware, weighbridge checking system, load cells, load cell cables, load cell mounting kit and shims, stainless junction box, Isobar Ultra 4-outlet surge protection device, all ground cables, cable conduits, 50' of homerun cable, DD 700 ABS desktop indicator, Epson TM-U295 ticket printer with printer cable and (2) order specific scale / foundation prints.

Scale does not include: foundation rebar, end-wall or approach wall coping, end-wall bumper checking plates, freight cost to site and any other required permits.

Centurion-DT-CD



CPD-M Digital Cell - Concrete Deck

Model Number	Cells	Modules	Length	Width	Capacity
CT-1211-DT-CD	4	1	12'	11'	150K
CT-2411-DT-CD	4	1	24'	11'	150K
CT-3011-DT-CD	6	2	30'	11'	200K
CT-3611-DT-CD	6	2	36'	11'	200K
CT-4011-DT-CD	6	2	40'	11'	200K
CT-4811-DT-CD	6	2	48'	11'	200K
CT-6011-DT-CD	8	3	60'	11'	270K
CT-7011-DT-CD	8	3	70'	11'	270K
CT-7211-DT-CD	8	3	72'	11'	270K
CT-8011-DT-CD	10	4	80'	11'	270K
CT-8411-DT-CD	10	4	84'	11'	270K
CT-9011-DT-CD	10	4	90'	11'	270K
CT-9611-DT-CD	10	4	95'	11'	270K
CT-10011-DT-CD	12	5	100'	11'	270K
CT-10811-DT-CD	12	5	108'	11'	270K
CT-12011-DT-CD	12	5	120'	11'	270K
CT-1212-DT-CD	4	1	12'	12'	150K
CT-2412-DT-CD	4	1	24'	12'	150K
CT-3012-DT-CD	6	2	30'	12'	200K
CT-3612-DT-CD	6	2	36'	12'	200K
CT-4012-DT-CD	6	2	40'	12'	200K
CT-4812-DT-CD	6	2	48'	12'	200K
CT-6012-DT-CD	8	3	60'	12'	270K
CT-7012-DT-CD	8	3	70'	12'	270K
CT-7212-DT-CD	8	3	72'	12'	270K
CT-8012-DT-CD	10	4	80'	12'	270K
CT-8412-DT-CD	10	4	84'	12'	270K
CT-9012-DT-CD	10	4	90'	12'	270K
CT-9612-DT-CD	10	4	96'	12'	270K
CT-10012-DT-CD	12	5	100'	12'	270K
CT-10812-DT-CD	12	5	108'	12'	270K
CT-12012-DT-CD	12	5	120'	12'	270K

Model Number	CT-12xx	CT-24xx	CT-30xx	CT-36xx	CT-40xx	CT-48xx	CT-60xx	CT-70xx	CT-72xx	CT-80xx	CT-84xx	CT-90xx	CT-96xx	CT-100xx	CT-108xx	CT-120xx
Actual Length	13' 6-1/2"	25' 6-1/2"	30'	36' 9-1/4"	40'	48' 9-1/4"	60'	70'	72'	80'	83' 2-3/4"	90'	95' 2-3/4"	100'	106' 5-1/2"	118' 5-1/2"

Centurion-AT

CPR-M Analog Cell - Steel Deck



GENERAL SPECIFICATIONS

- Certificate of Conformance: 03-096A3
- Type: Above ground flat top and pit installation
- Scale Capacity: Up to 270K lb
- Concentrated Load Capacity: 100K lb standard - up to 120K lb
- "r" Factor Rating: 2.94
- Scale Height: 16" standard height - custom height down to 12"
- Available Widths: 10' - 14'
- Weighbridge Deck: 3/8" tread plate decking - welded to Quad Beam weighbridge
- Steel Preparation: Commercial blast cleaning SSPC-SP6
- Paint System: Cross-linked two-part epoxy primer followed by two-part polyurethane top coat
- Load Cell: 77K CPR-M analog compression-column load cell, 700 Ohm, 2 mV/V
Stainless steel hermetically sealed (IP68) construction
- Load Cell Cable: Stainless steel sheathed cable with clear polymer protective coating, integral
- Junction Box: NEMA 4X/6P UV resistant polycarbonate enclosure(s) and B-TEK 4-cell summing board with GDT surge protection
- Surge Protection: CPR-M analog load cells utilize ground straps and base plate isolation disc
Surge protection enhanced by Tripp Lite Isobar Ultra 4-Outlet line transient protection device
- Warranty: 5-Year weighbridge warranty covering defects in materials and workmanship
5-Year components warranty covering defects in materials and workmanship
5-Year surge / lightning warranty covering CPR-M load cells and summing boards



Scale includes: foundation anchor bolts (3/4" x 7"), weighbridge modules, assembly hardware, weighbridge checking system, load cells, load cell cables, load cell mounting kit and shims, FRP junction box, Isobar Ultra 4-outlet surge protection device, all ground cables, cable conduits and (2) order specific scale / foundation prints.

Scale does not include: Scale indicator, printer, homerun cable, foundation rebar, end-wall or approach wall coping, end-wall bumper checking plates, freight cost to site and any other required permits.

Centurion-AT



CPR-M Analog Cell - Steel Deck

Model Number	Cells	Modules	Length	Width	Capacity
CT-1211-AT	4	1	12'	11'	150K
CT-2411-AT	4	1	24'	11'	150K
CT-3011-AT	6	2	30'	11'	200K
CT-3611-AT	6	2	36'	11'	200K
CT-4011-AT	6	2	40'	11'	200K
CT-4811-AT	6	2	48'	11'	200K
CT-6011-AT	8	3	60'	11'	270K
CT-7011-AT	8	3	70'	11'	270K
CT-7211-AT	8	3	72'	11'	270K
CT-8011-AT	10	4	80'	11'	270K
CT-8411-AT	10	4	84'	11'	270K
CT-9011-AT	10	4	90'	11'	270K
CT-9611-AT	10	4	96'	11'	270K
CT-10011-AT	12	5	100'	11'	270K
CT-10811-AT	12	5	108'	11'	270K
CT-12011-AT	12	5	120'	11'	270K
CT-1212-AT	4	1	12'	12'	150K
CT-2412-AT	4	1	24'	12'	150K
CT-3012-AT	6	2	30'	12'	200K
CT-3612-AT	6	2	36'	12'	200K
CT-4012-AT	6	2	40'	12'	200K
CT-4812-AT	6	2	48'	12'	200K
CT-6012-AT	8	3	60'	12'	270K
CT-7012-AT	8	3	70'	12'	270K
CT-7212-AT	8	3	72'	12'	270K
CT-8012-AT	10	4	80'	12'	270K
CT-8412-AT	10	4	84'	12'	270K
CT-9012-AT	10	4	90'	12'	270K
CT-9612-AT	10	4	96'	12'	270K
CT-10012-AT	12	5	100'	12'	270K
CT-10812-AT	12	5	108'	12'	270K
CT-12012-AT	12	5	120'	12'	270K

Model Number	CT-12xx	CT-24xx	CT-30xx	CT-36xx	CT-40xx	CT-48xx	CT-60xx	CT-70xx	CT-72xx	CT-80xx	CT-84xx	CT-90xx	CT-96xx	CT-100xx	CT-108xx	CT-120xx
Actual Length	13' 6-1/2"	25' 6-1/2"	30'	36' 9-1/4"	40'	48' 9-1/4"	60'	70'	72'	80'	83' 2-3/4"	90'	95' 2-3/4"	100'	106' 5-1/2"	118' 5-1/2"

Centurion-AT-CD



CPR-M Analog Cell - Concrete Deck



GENERAL SPECIFICATIONS

- Certificate of Conformance: 03-096A3
- Type: Above ground flat top and pit installation
- Scale Capacity: Up to 270K lb
- Concentrated Load Capacity: 100K lb standard - up to 120K lb
- "r" Factor Rating: 2.94
- Scale Height: 16" standard height - custom height down to 12"
- Available Widths: 11' & 12' standard widths (10' by request)
- Weighbridge Deck: 8" concrete deck with factory installed tin and rebar - "Ready to Pour"
- Steel Preparation: Commercial blast cleaning SSPC-SP6
- Paint System: Cross-linked two-part epoxy primer followed by two-part polyurethane top coat
- Load Cell: 77K CPR-M analog compression-column load cell, 700 Ohm, 2 mV/V
Stainless steel hermetically sealed (IP68) construction
- Load Cell Cable: Stainless steel sheathed cable with clear polymer protective coating, integral
- Junction Box: NEMA 4X/6P UV resistant polycarbonate enclosure(s) and B-TEK 4-cell summing board with GDT surge protection
- Surge Protection: CPR-M analog load cells utilize ground straps and base plate isolation disc
Surge protection enhanced by Tripp Lite Isobar Ultra 4-Outlet line transient protection device
- Warranty: 5-Year weighbridge warranty covering defects in materials and workmanship
5-Year components warranty covering defects in materials and workmanship
5-Year surge / lightning warranty covering CPR-M load cells and summing boards



Scale includes: modules with factory installed tin and rebar, foundation anchor bolts (3/4"x7"), assembly hardware, weighbridge checking system, load cells, load cell base plates, shim kit for each base plate, FRP junction box, Isobar Ultra 4-outlet surge protection device, all ground cables, cable conduits and (2) order specific scale / foundation prints.

Scale does not include: Scale indicator, printer, homerun cable, foundation rebar, end-wall or approach wall coping, end-wall bumper checking plates, freight cost to site and any other required permits.

Centurion-AT-CD



CPR-M Analog Cell - Concrete Deck

Model Number	Cells	Modules	Length	Width	Capacity
CT-1211-AT-CD	4	1	12'	11'	150K
CT-2411-AT-CD	4	1	24'	11'	150K
CT-3011-AT-CD	6	2	30'	11'	200K
CT-3611-AT-CD	6	2	36'	11'	200K
CT-4011-AT-CD	6	2	40'	11'	200K
CT-4811-AT-CD	6	2	48'	11'	200K
CT-6011-AT-CD	8	3	60'	11'	270K
CT-7011-AT-CD	8	3	70'	11'	270K
CT-7211-AT-CD	8	3	72'	11'	270K
CT-8011-AT-CD	10	4	80'	11'	270K
CT-8411-AT-CD	10	4	84'	11'	270K
CT-9011-AT-CD	10	4	90'	11'	270K
CT-9611-AT-CD	10	4	96'	11'	270K
CT-10011-AT-CD	12	5	100'	11'	270K
CT-10811-AT-CD	12	5	108'	11'	270K
CT-12011-AT-CD	12	5	120'	11'	270K
CT-1212-AT-CD	4	1	12'	12'	150K
CT-2412-AT-CD	4	1	24'	12'	150K
CT-3012-AT-CD	6	2	30'	12'	200K
CT-3612-AT-CD	6	2	36'	12'	200K
CT-4012-AT-CD	6	2	40'	12'	200K
CT-4812-AT-CD	6	2	48'	12'	200K
CT-6012-AT-CD	8	3	60'	12'	270K
CT-7012-AT-CD	8	3	70'	12'	270K
CT-7212-AT-CD	8	3	72'	12'	270K
CT-8012-AT-CD	10	4	80'	12'	270K
CT-8412-AT-CD	10	4	84'	12'	270K
CT-9012-AT-CD	10	4	90'	12'	270K
CT-9612-AT-CD	10	4	96'	12'	270K
CT-10012-AT-CD	12	5	100'	12'	270K
CT-10812-AT-CD	12	5	108'	12'	270K
CT-12012-AT-CD	12	5	120'	12'	270K

Model Number	CT-12xx	CT-24xx	CT-30xx	CT-36xx	CT-40xx	CT-48xx	CT-60xx	CT-70xx	CT-72xx	CT-80xx	CT-84xx	CT-90xx	CT-96xx	CT-100xx	CT-108xx	CT-120xx
Actual Length	13' 6-1/2"	25' 6-1/2"	30'	36' 9-1/4"	40'	48' 9-1/4"	60'	70'	72'	80'	83' 2-3/4"	90'	95' 2-3/4"	100'	106' 5-1/2"	118' 5-1/2"

Hybrid-DT



CPD-M Digital Cell - Steel Deck



GENERAL SPECIFICATIONS

- Certificate of Conformance: 03-096A3
- Type: Above ground flat top and pit installation
- Scale Capacity: Up to 270K lb
- Concentrated Load Capacity: 80K lb
- "r" Factor Rating: 2.35
- Scale Height: 16" standard height - custom height down to 14"
- Available Widths: 10' - 14'
- Weighbridge Deck: 1/4" tread plate decking
- Steel Preparation: Commercial blast cleaning SSPC-SP6
- Paint System: Cross-linked two-part epoxy primer followed by two-part polyurethane top coat
- Load Cell: 77K CPD-M digital compression column load cell, RS-485 digital output
Stainless steel hermetically sealed (IP68/69K) construction
- Load Cell Cable: Stainless steel sheathed cable with clear polymer protective coating
- Junction Box: NEMA 4X stainless steel enclosure(s) and 8-cell terminal board with GDT surge protection
- Surge Protection: CPD-M digital load cells along with digital indicator protect against lightning
Built-in surge protection enhanced by Tripp Lite Isobar Ultra 4-Outlet AC line transient protection device and two in-line serial port surge protection devices
- Warranty: 5-Year "End-Wall to End-Wall" parts, labor and travel warranty covering the weighbridge, load cells junction box, and DD 700 indicator from failure or damage due to lightning
- Indicator: *Supplied with a DD 700 ABS desk-top digital indicator*
- Printer: *Supplied with a Epson TM-U295 ticket printer and printer cable*



Scale includes: foundation anchor bolts (3/4" x 7"), assembly hardware, weighbridge checking system, load cells, load cell cables, load cell mounting kit and shims, stainless junction box, Isobar Ultra 4-outlet surge protection device, all ground cables, cable conduits, 50' of homerun cable, DD 700 ABS desktop indicator, Epson TM-U295 ticket printer with printer cable and (2) order specific scale / foundation prints.

Scale does not include: foundation rebar, end-wall or approach wall coping, end-wall bumper checking plates, freight cost to site and any other required permits.

Hybrid-DT



CPD-M Digital Cell - Steel Deck

Model Number	Cells	Modules	Length	Width	Capacity
HY-1211-DT	4	1	12'	11'	120K
HY-2411-DT	4	1	24'	11'	120K
HY-3011-DT	6	2	30'	11'	200K
HY-3611-DT	6	2	36'	11'	200K
HY-4011-DT	6	2	40'	11'	200K
HY-4811-DT	6	2	48'	11'	200K
HY-6011-DT	8	3	60'	11'	270K
HY-7011-DT	8	3	70'	11'	270K
HY-7211-DT	8	3	72'	11'	270K
HY-8011-DT	10	4	80"	11'	270K
HY-8411-DT	10	4	84'	11'	270K
HY-9011-DT	10	4	90'	11'	270K
HY-9611-DT	10	4	96	11'	270K
HY-10011-DT	12	5	100'	11'	270K
HY-10811-DT	12	5	108'	11'	270K
HY-12011-DT	12	5	120'	11'	270K
HY-1212-DT	4	1	12'	12'	120K
HY-2412-DT	4	1	24'	12'	120K
HY-3012-DT	6	2	30'	12'	200K
HY-3612-DT	6	2	36'	12'	200K
HY-4012-DT	6	2	40'	12'	200K
HY-4812-DT	6	2	48'	12'	200K
HY-6012-DT	8	3	60'	12'	270K
HY-7012-DT	8	3	70'	12'	270K
HY-7212-DT	8	3	72'	12'	270K
HY-8012-DT	10	4	80"	12'	270K
HY-8412-DT	10	4	84'	12'	270K
HY-9012-DT	10	4	90'	12'	270K
HY-9612-DT	10	4	96	12'	270K
HY-10012-DT	12	5	100'	12'	270K
HY-10812-DT	12	5	108'	12'	270K
HY-12012-DT	12	5	120'	12'	270K

Model Number	CT-12xx	CT-24xx	CT-30xx	CT-36xx	CT-40xx	CT-48xx	CT-60xx	CT-70xx	CT-72xx	CT-80xx	CT-84xx	CT-90xx	CT-96xx	CT-100xx	CT-108xx	CT-120xx
Actual Length	13' 6-1/2"	25' 6-1/2"	30'	36' 9-1/4"	40'	48' 9-1/4"	60'	70'	72'	80'	83' 2-3/4"	90'	95' 2-3/4"	100'	106' 5-1/2"	118' 5-1/2"

Hybrid-AT

CPR-M Analog Cell - Steel Deck



GENERAL SPECIFICATIONS

- Certificate of Conformance: 03-096A3
- Type: Above ground flat top and pit installation
- Scale Capacity: Up to 270K lb
- Concentrated Load Capacity: 80K lb
- "r" Factor Rating: 2.35
- Scale Height: 16" standard height - custom height down to 14"
- Available Widths: 10' - 14'
- Weighbridge Deck: 1/4" tread plate decking
- Steel Preparation: Commercial blast cleaning SSPC-SP6
- Paint System: Cross-linked two-part epoxy primer followed by two-part polyurethane top coat
- Load Cell: 77K CPR-M analog compression-column load cell, 700 Ohm, 2 mV/V
Stainless steel hermetically sealed (IP68) construction
- Load Cell Cable: Stainless steel sheathed cable with clear polymer protective coating, integral
- Junction Box: NEMA 4X/6P UV resistant polycarbonate enclosure(s) and B-TEK 4-cell summing board with GDT surge protection
- Surge Protection: CPR-M analog load cells utilize ground straps and base plate isolation disc
Surge protection enhanced by Tripp Lite Isobar Ultra 4-Outlet line transient protection device
- Warranty: 5-Year weighbridge warranty covering defects in materials and workmanship
5-Year components warranty covering defects in materials and workmanship
5-Year surge / lightning warranty covering CPR-M load cells and summing boards



Scale includes: foundation anchor bolts (3/4" x 7"), weighbridge modules, assembly hardware, weighbridge checking system, load cells, load cell cables, load cell mounting kit and shims, FRP junction box, Isobar Ultra 4-outlet surge protection device, all ground cables, cable conduits and (2) order specific scale / foundation prints.

Scale does not include: Scale indicator, printer, homerun cable, foundation rebar, end-wall or approach wall coping, end-wall bumper checking plates, freight cost to site and any other required permits.

Hybrid-AT



CPR-M Analog Cell - Steel Deck

Model Number	Cells	Modules	Length	Width	Capacity
HY-1211-AT	4	1	12'	11'	120K
HY-2411-AT	4	1	24'	11'	120K
HY-3011-AT	6	2	30'	11'	200K
HY-3611-AT	6	2	36'	11'	200K
HY-4011-AT	6	2	40'	11'	200K
HY-4811-AT	6	2	48'	11'	200K
HY-6011-AT	8	3	60'	11'	270K
HY-7011-AT	8	3	70'	11'	270K
HY-7211-AT	8	3	72'	11'	270K
HY-8011-AT	10	4	80"	11'	270K
HY-8411-AT	10	4	84'	11'	270K
HY-9011-AT	10	4	90'	11'	270K
HY-9611-AT	10	4	96	11'	270K
HY-10011-AT	12	5	100'	11'	270K
HY-10811-AT	12	5	108'	11'	270K
HY-12011-AT	12	5	120'	11'	270K
HY-1212-AT	4	1	12'	12'	120K
HY-2412-AT	4	1	24'	12'	120K
HY-3012-AT	6	2	30'	12'	200K
HY-3612-AT	6	2	36'	12'	200K
HY-4012-AT	6	2	40'	12'	200K
HY-4812-AT	6	2	48'	12'	200K
HY-6012-AT	8	3	60'	12'	270K
HY-7012-AT	8	3	70'	12'	270K
HY-7212-AT	8	3	72'	12'	270K
HY-8012-AT	10	4	80"	12'	270K
HY-8412-AT	10	4	84'	12'	270K
HY-9012-AT	10	4	90'	12'	270K
HY-9612-AT	10	4	96	12'	270K
HY-10012-AT	12	5	100'	12'	270K
HY-10812-AT	12	5	108'	12'	270K
HY-12012-AT	12	5	120'	12'	270K

Model Number	CT-12xx	CT-24xx	CT-30xx	CT-36xx	CT-40xx	CT-48xx	CT-60xx	CT-70xx	CT-72xx	CT-80xx	CT-84xx	CT-90xx	CT-96xx	CT-100xx	CT-108xx	CT-120xx
Actual Length	13' 6-1/2"	25' 6-1/2"	30'	36' 9-1/4"	40'	48' 9-1/4"	60'	70'	72'	80'	83' 2-3/4"	90'	95' 2-3/4"	100'	106' 5-1/2"	118' 5-1/2"

Endurance-AT



CPR-M Analog Cell - Steel Deck

GENERAL SPECIFICATIONS

- Certificate of Conformance: 03-096A3
- Scale Capacity: 200K lb
- Concentrated Load Capacity: 70K lb
- Scale Height: 16" standard height - no custom heights
- Under Scale Clearance: 3-13/16"
- Scale Dimension: 69' 10-1/2" x 10' 10-1/2"
- Weighbridge Deck: 1/4" tread plate decking
- Steel Preparation: Commercial blast cleaning SSPC-SP6
- Paint System: Cross-linked two-part epoxy primer followed by two-part polyurethane top coat
- Load Cell: 77K CPR-M analog compression-column load cell, 700 Ohm, 2 mV/V
Stainless steel hermetically sealed (IP68) construction
- Load Cell Cable: Stainless steel sheathed cable with clear polymer protective coating, integral
- Junction Box: NEMA 4X/6P UV resistant polycarbonate enclosure(s) and B-TEK 4-cell summing board with GDT surge protection
- Surge Protection: CPR-M analog load cells utilize ground straps and base plate isolation disc
Surge protection enhanced by Tripp Lite Isobar Ultra 4-Outlet line transient protection device
- Warranty: 5-Year weighbridge structure warranty covering defects in materials and workmanship
13-Month component warranty covering CPR-M load cells and summing boards **
13-Month surge / lightning warranty covering CPR-M load cells and summing boards **

**** Longer component and surge / lightning warranty periods are optionally available**



Scale includes: foundation anchor bolts (3/4" x 7"), weighbridge modules, assembly hardware, weighbridge checking system, load cells, load cell cables, load cell mounting kit and shims, FRP junction box, Isobar Ultra 4-outlet surge protection device, all ground cables, cable conduits and (2) order specific scale / foundation prints.

Scale does not include: Scale indicator, printer, homerun cable, foundation rebar, end-wall or approach wall coping, end-wall bumper checking plates, freight cost to site and any other required permits.

Endurance-AT



CPR-M Analog Cell - Steel Deck

Part Number	Description
EDR-7011-AT	<p>70' x 11' Endurance Steel Deck Motor Truck Scale</p> <ul style="list-style-type: none"> - Endurance 70'x11' Motor Truck Scale - 200K Gross Scale Capacity - 70K lb CLC - Steel Deck - WF-Beam Weighbridge - Centrifugal Shot-Blast Cleaned Steel - 2-Part Epoxy Primer - 2-Part Polyurethane Top Coat - 77K Capacity Load Cells - Stainless Steel Load Cells - Hermetically Sealed Load Cell - Rated IP86/69K - Metal Braid Sheathed Load Cell Cable - Surge Voltage Protection Package - 5-Year Weighbridge Structure Warranty
Options	
200-900100	<p>Endurance Scale Sight Rail: 8" rail height</p> <p>3.5" O.D. schedule 40 pipe with 3/8" thick brackets bolted to scale weighbridge. Adds 12" to the overall scale width.</p>
200-900140	<p>Endurance Scale Riser: 4-5/16" under scale clearance</p> <p>Load cell riser increasing under scale clearance to 4-5/16" and overall scale height to 16-1/2". Riser fabricated into load cell base plate assembly at factory.</p>
200-900160	<p>Endurance Scale Riser: 6-5/16" under scale clearance</p> <p>Load cell riser increasing under scale clearance to 6-5/16" and overall scale height to 18-1/2". Riser fabricated into load cell base plate assembly at factory.</p>
200-900180	<p>Endurance Scale Riser: 8-5/16" under scale clearance</p> <p>Load cell riser increasing under scale clearance to 8-5/16" and overall scale height to 20-1/2". Riser fabricated into load cell base plate assembly at factory.</p>
EDR-EW-25	<p>Endurance Extended Component Warranty: 25-Months</p> <p>Extended warranty adds an additional 12 months of standard and surge voltage coverage to the standard Endurance load cell and summing board warranty - 25 months from date of factory shipment.</p>
EDR-EW-37	<p>Endurance Extended Component Warranty: 37-Months</p> <p>Extended warranty adds an additional 24 months of standard and surge voltage coverage to the standard Endurance load cell and summing board warranty - 37 months from date of factory shipment.</p>
EDR-EW-49	<p>Endurance Extended Component Warranty: 49-Months</p> <p>Extended warranty adds an additional 36 months of standard and surge voltage coverage to the standard Endurance load cell and summing board warranty - 49 months from date of factory shipment.</p>
EDR-EW-61	<p>Endurance Extended Component Warranty: 61-Months</p> <p>Extended warranty adds an additional 48 months of standard and surge voltage coverage to the standard Endurance load cell and summing board warranty - 61 months from date of factory shipment.</p>
EDR-DRW	<p>Endurance Custom Foundation Drawing</p> <p>Standard floating slab and pier type foundation drawings are available at no charge. Requests to make basic changes or add details to standard drawings will be subject to this charge.</p>

Duratron - EFTS

DESB Analog Cell - Steel Deck



GENERAL SPECIFICATIONS

- Certificate of Conformance: 01-075
- Type: Above ground flat top and pit installation
- Scale Capacity: Up to 270K lb
- Concentrated Load Capacity: 72K lb
- Scale Height: 12" standard height - custom lower and taller heights
- Available Widths: 10' - 12'
- Weighbridge Deck: 3/8" tread plate decking - welded to beams
- Steel Preparation: Commercial blast cleaning SSPC-SP6
- Paint System: Cross-linked two-part epoxy primer followed by two-part polyurethane top coat
- Load Cell: 65K double ended shear beam - parallel link suspension system
Plated alloy steel with fully welded gauge covers (IP67)
- Load Cell Cable: Braided metal sheathed cable
- Junction Box: NEMA 4X/6P UV resistant polycarbonate enclosure(s) and B-TEK 4-cell summing board with GDT surge protection
- Surge Protection: Tripp Lite Isobar Ultra 4-Outlet line transient protection device and scale grounding package
- Warranty: 5-Year weighbridge warranty covering defects in materials and workmanship
2-Year components warranty covering defects in materials and workmanship



Scale includes: foundation anchor bolts (3/4" x 7"), weighbridge modules, assembly hardware, load cells with braided metal sheathed cable, load cell stands, shim plate for each stand, FRP junction box, Isobar Ultra 4-outlet surge protection device, all ground cables, and (2) order specific scale / foundation prints.

Scale does not include: Scale indicator, printer, homerun cable, foundation rebar, end-wall or approach wall coping, end-wall bumper checking plates, freight cost to site and any other required permits.

Duratron - EFTS



DESB Analog Cell - Steel Deck

Model Number	Cells	Modules	Length	Width	Capacity
EFTS-15403	4	1	15'	10'	80K
EFTS-20403	4	1	20'	10'	80K
EFTS-25403	4	1	25'	10'	80K
EFTS-30603	6	2	30'	10'	80K
EFTS-40603	6	2	40'	10'	120K
EFTS-45603	6	2	45'	10'	120K
EFTS-501004	8	3	50'	10'	200K
EFTS-601004	8	3	60'	10'	200K
EFTS-651004	8	3	65'	10'	200K
EFTS-701004	8	3	70'	10'	200K
EFTS-801004	10	4	80'	10'	200K
EFTS-901004	10	4	90'	10'	200K
EFTS-1001004	12	5	100'	10'	200K
EFTS-1201004	14	6	120'	10'	200K
EFTS-15403	4	1	15'	11'	80K
EFTS-20403	4	1	20'	11'	80K
EFTS-25403	4	1	25'	11'	80K
EFTS-30603	6	2	30'	11'	80K
EFTS-40603	6	2	40'	11'	120K
EFTS-45603	6	2	45'	11'	120K
EFTS-501004	8	3	50'	11'	200K
EFTS-601004	8	3	60'	11'	200K
EFTS-651004	8	3	65'	11'	200K
EFTS-701004	8	3	70'	11'	200K
EFTS-801004	10	4	80'	11'	200K
EFTS-901004	10	4	90'	11'	200K
EFTS-1001004	12	5	100'	11'	200K
EFTS-1201004	14	6	120'	11'	200K
EFTS-15403	4	1	15'	12'	80K
EFTS-20403	4	1	20'	12'	80K
EFTS-25403	4	1	25'	12'	80K
EFTS-30603	6	2	30'	12'	80K
EFTS-40603	6	2	40'	12'	120K
EFTS-45603	6	2	45'	12'	120K
EFTS-50603	8	3	50'	12'	200K
EFTS-601004	8	3	60'	12'	200K
EFTS-651004	8	3	65'	12'	200K
EFTS-701004	8	3	70'	12'	200K
EFTS-801004	10	4	80'	12'	200K
EFTS-901004	10	4	90'	12'	200K
EFTS-1001004	12	5	100'	12'	200K
EFTS-1201004	14	6	120'	12'	200K

Duratron - EFTC

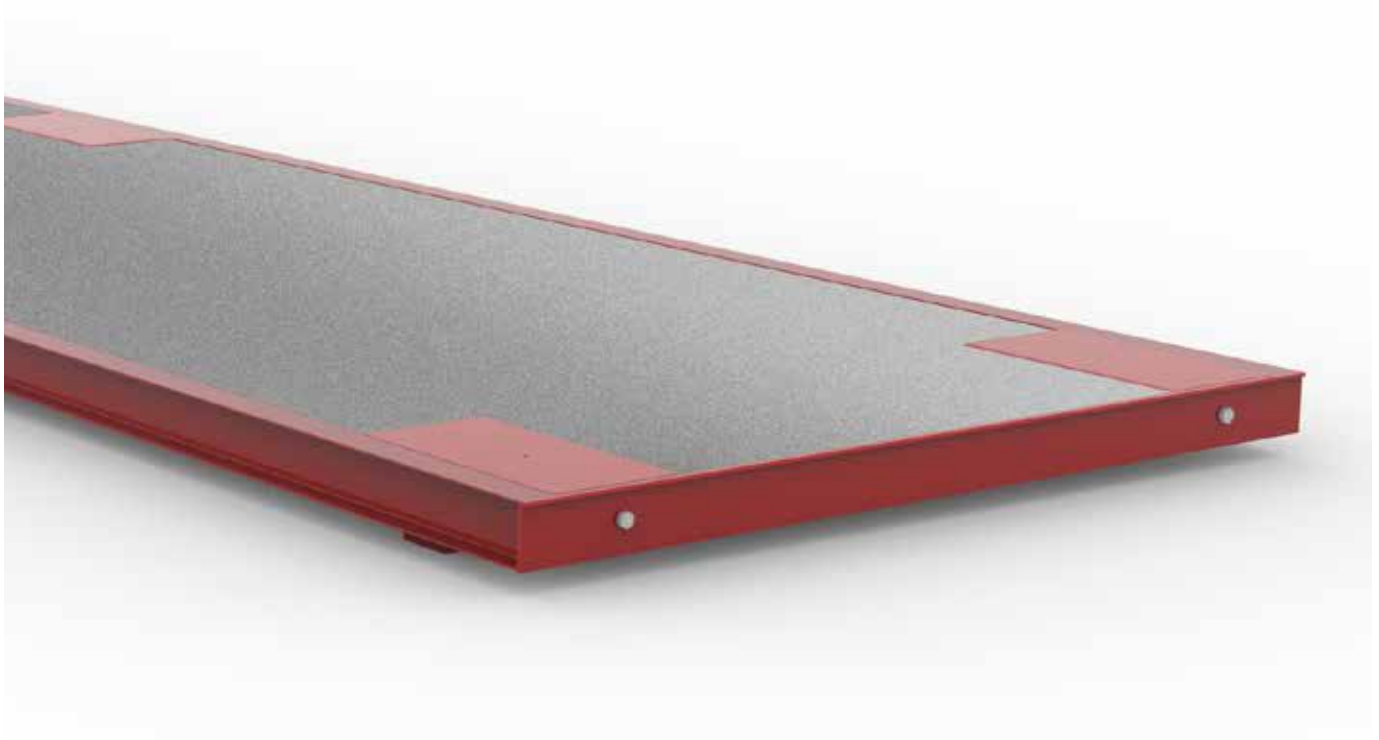


DESB Analog Cell - Concrete Deck



GENERAL SPECIFICATIONS

- Certificate of Conformance: 01-075
- Type: Above ground flat top and pit installation
- Scale Capacity: Up to 270K lb
- Concentrated Load Capacity: 72K lb
- Scale Height: 12" standard height - custom lower and taller heights
- Available Widths: 10' - 12'
- Weighbridge Deck: 8" concrete deck with factory installed tin and rebar - "ready to pour"
- Steel Preparation: Commercial blast cleaning SSPC-SP6
- Paint System: Cross-Linked two-part Epoxy primer base coat followed by two-part Polyurethane top coat
- Load Cell: 65K double ended shear beam—parallel link suspension system
Plated alloy steel with fully welded gauge covers (IP67)
- Load Cell Cable: Braided metal sheathed cable
- Junction Box: NEMA 4X/6P UV resistant polycarbonate enclosure(s) and B-TEK 4-cell summing board with GDT surge protection
- Surge Protection: Tripp Lite Isobar Ultra 4-Outlet line transient protection device and scale grounding package
- Warranty: 5-Year weighbridge warranty covering defects in materials and workmanship
2-Year components warranty covering defects in materials and workmanship



Scale includes: foundation anchor bolts (3/4" x 7"), weighbridge modules with factory installed tin and rebar, assembly hardware, load cells with braided metal sheathed cable, load cell stands, shim plate for each stand, junction box, Isobar Ultra 4-outlet surge protection device, all ground cables, and (2) order specific scale / foundation prints.

Scale does not include: Scale indicator, printer, homerun cable, foundation rebar, end-wall or approach wall coping, end-wall bumper checking plates, freight cost to site and any other required permits.

Duratron - EFTC



DESB Analog Cell - Concrete Deck

Model Number	Cells	Modules	Length	Width	Capacity
EFTC-15403	4	1	15'	10'	80K
EFTC-20403	4	1	20'	10'	80K
EFTC-25403	4	1	25'	10'	80K
EFTC-30603	6	2	30'	10'	80K
EFTC-40603	6	2	40'	10'	120K
EFTC-45603	6	2	45'	10'	120K
EFTC-501004	8	3	50'	10'	200K
EFTC-601004	8	3	60'	10'	200K
EFTC-651004	8	3	65'	10'	200K
EFTC-701004	8	3	70'	10'	200K
EFTC-801004	10	4	80'	10'	200K
EFTC-901004	10	4	90'	10'	200K
EFTC-1001004	12	5	100'	10'	200K
EFTC-1201004	14	6	120'	10'	200K
EFTC-15403	4	1	15'	11'	80K
EFTC-20403	4	1	20'	11'	80K
EFTC-25403	4	1	25'	11'	80K
EFTC-30603	6	2	30'	11'	80K
EFTC-40603	6	2	40'	11'	120K
EFTC-45603	6	2	45'	11'	120K
EFTC-501004	8	3	50'	11'	200K
EFTC-601004	8	3	60'	11'	200K
EFTC-651004	8	3	65'	11'	200K
EFTC-701004	8	3	70'	11'	200K
EFTC-801004	10	4	80'	11'	200K
EFTC-901004	10	4	90'	11'	200K
EFTC-1001004	12	5	100'	11'	200K
EFTC-1201004	14	6	120'	11'	200K
EFTC-15403	4	1	15'	12'	80K
EFTC-20403	4	1	20'	12'	80K
EFTC-25403	4	1	25'	12'	80K
EFTC-30603	6	2	30'	12'	80K
EFTC-40603	6	2	40'	12'	120K
EFTC-45603	6	2	45'	12'	120K
EFTC-50603	8	3	50'	12'	200K
EFTC-601004	8	3	60'	12'	200K
EFTC-651004	8	3	65'	12'	200K
EFTC-701004	8	3	70'	12'	200K
EFTC-801004	10	4	80'	12'	200K
EFTC-901004	10	4	90'	12'	200K
EFTC-1001004	12	5	100'	12'	200K
EFTC-1201004	14	6	120'	12'	200K

Off-Road Vehicle - FESD-HD



CPD-M Digital or CPR-M Analog - Steel Off-Road Vehicle Scale



GENERAL SPECIFICATIONS

- Certificate of Conformance: 92-195A4
- Type: Above ground heavy duty flat top and pit installation
- Scale Capacity: Up to 400K lb
- Concentrated Load Capacity: 120K & 150K lb
- Scale Height: 40" standard height - customer lower and taller heights
- Available Widths: 8' - 14' Single piece weighbridge
16' - 28' Split platform weighbridge
- Weighbridge Deck: 120K CLC: 3/8" tread plate decking bolted to weighbridge
150K CLC: 1/2" tread plate decking bolted to weighbridge
- Steel Preparation: Commercial blast cleaning SSPC-SP6
- Paint System: Cross-linked two-part epoxy primer followed by two-part polyurethane top coat
- Load Cell: 77K CPD-M digital compression column load cell, RS-485 digital output
77K CPR-M analog compression-column load cell, 700 Ohm, 2 mV/V
Stainless steel hermetically sealed (IP68) construction
- Load Cell Cable: Stainless steel sheathed cable with clear polymer protective coating & water-tight connectors
- Junction Box: (Digital) NEMA 4X stainless steel box and 8-cell terminal board with GDT surge protection
(Analog) NEMA 4X/6P UV resistant polycarbonate enclosure(s) and B-TEK 4-cell summing board with GDT surge protection
- Surge Protection: CPD-M & CPR-M load cells utilize ground straps and base plate isolation disc
Built-in surge protection enhanced by Tripp Lite Isobar Ultra 4-Outlet AC line transient protection device and two in-line serial port surge protection devices
- Warranty: 5-Year weighbridge warranty covering defects in materials and workmanship
5-Year components warranty covering defects in materials and workmanship
5-Year surge / lightning warranty covering CPD-M & CPR-M load cells and summing boards
- Indicator: *CPD-M Digital supplied with a DD 700 ABS desk-top digital indicator*
CPR-M Analog not supplied with indicator



Shown with optional 48" tall WF-Beam Sight Rail

Scale includes: foundation anchor bolts (3/4" x 7"), assembly hardware, weighbridge checking system, load cells, load cell cables, load cell mounting kit and shims, stainless or FRP junction box, Isobar Ultra 4-outlet surge protection device, all ground cables, cable conduits and (2) order specific scale / foundation prints.

Scale does not include: foundation rebar, end-wall or approach wall coping, end-wall bumper checking plates, freight cost to site and any other required permits.

Off-Road Vehicle - FESD-HD



CPD-M Digital or CPR-M Analog - Steel Off-Road Vehicle Scale

Model Number	Cells	Modules	Lenth	Width	Capacity
BS-2510-270-FESD-HD-DT	4	1	25'	10'	270K
BS-3010-400-FESD-HD-DT	6	2	30'	10'	400K
BS-4010-400-FESD-HD-DT	6	2	40'	10'	400K
BS-5010-400-FESD-HD-DT	6	2	40'	10'	400K
BS-6010-400-FESD-HD-DT	8	3	60'	10'	400K
BS-7010-400-FESD-HD-DT	8	3	70'	10'	400K
BS-2512-270-FESD-HD-DT	4	1	25'	12'	270K
BS-3012-400-FESD-HD-DT	6	2	30'	12'	400K
BS-4012-400-FESD-HD-DT	6	2	40'	12'	400K
BS-5012-400-FESD-HD-DT	6	2	40'	12'	400K
BS-6012-400-FESD-HD-DT	8	3	60'	12'	400K
BS-7012-400-FESD-HD-DT	8	3	70'	12'	400K
BS-2514-270-FESD-HD-DT	4	1	25'	14'	270K
BS-3014-400-FESD-HD-DT	6	2	30'	14'	400K
BS-4014-400-FESD-HD-DT	6	2	40'	14'	400K
BS-5014-400-FESD-HD-DT	6	2	40'	14'	400K
BS-6014-400-FESD-HD-DT	8	3	60'	14'	400K
BS-7014-400-FESD-HD-DT	8	3	70'	14'	400K
BS-2516-270-FESD-HD-DT	8	2	25'	16'	270K
BS-3016-400-FESD-HD-DT	12	4	30'	16'	400K
BS-4016-400-FESD-HD-DT	12	4	40'	16'	400K
BS-5016-400-FESD-HD-DT	12	4	40'	16'	400K
BS-6016-400-FESD-HD-DT	16	6	60'	16'	400K
BS-7016-400-FESD-HD-DT	16	6	70'	16'	400K
BS-2518-270-FESD-HD-DT	8	2	25'	18'	270K
BS-3018-400-FESD-HD-DT	12	4	30'	18'	400K
BS-4018-400-FESD-HD-DT	12	4	40'	18'	400K
BS-5018-400-FESD-HD-DT	12	4	40'	18'	400K
BS-6018-400-FESD-HD-DT	16	6	60'	18'	400K
BS-7018-400-FESD-HD-DT	16	6	70'	18'	400K
BS-2520-270-FESD-HD-DT	8	2	25'	20'	270K
BS-3020-400-FESD-HD-DT	12	4	30'	20'	400K
BS-4020-400-FESD-HD-DT	12	4	40'	20'	400K
BS-5020-400-FESD-HD-DT	12	4	40'	20'	400K
BS-6020-400-FESD-HD-DT	16	6	60'	20'	400K
BS-7020-400-FESD-HD-DT	16	6	70'	20'	400K

Heavy Duty Side Rail

CPR-M Analog Cell - Steel Deck



GENERAL SPECIFICATIONS

- Certificate of Conformance: 92-195A4
- Type: Above ground integral side rail
- Scale Capacity: Up to 270K lb
- Concentrated Load Capacity: 80K lb
- Scale Height: 23" standard height - custom lower and taller height
- Available Widths: 10' - 14'
- Weighbridge Deck: 3/8" tread plate decking - welded
- Steel Preparation: Commercial blast cleaning SSPC-SP6
- Paint System: Cross-linked two-part epoxy primer followed by two-part polyurethane top coat
- Load Cell: 77K CPR-M analog compression-column load cell, 700 Ohm, 2 mV/V
Stainless steel environmentally sealed (IP68) construction
- Load Cell Cable: Stainless steel sheathed cable with clear polymer protective coating, integral
- Junction Box: NENEMA 4X/6P UV resistant polycarbonate enclosure(s) and B-TEK 4-cell summing board with GDT surge protection
- Surge Protection: CPR-M analog load cells utilize ground straps and base plate isolation disc
Surge protection enhanced by Tripp Lite Isobar Ultra 4-Outlet line transient protection device
- Warranty: 5-Year weighbridge warranty covering defects in materials and workmanship
5-Year components warranty covering defects in materials and workmanship
5-Year surge / lightning warranty covering CPR-M load cells and summing boards



Scale includes: foundation anchor bolts (3/4" x 7"), weighbridge modules, weighbridge assembly hardware, weighbridge checking system, load cells, load cell cables, load cell mounting kit and shims, FRP junction box, Tripp Lite Isobar Ultra 4-outlet surge protection device, all ground cables and rod, weighbridge cable conduits and (2) order specific scale / foundation prints.

Scale does not include: Scale indicator, printer, homerun cable, foundation rebar, end-wall or approach wall coping, end-wall bumper checking plates, freight cost to site and any other required permits.

Heavy Duty Side Rail



CPR-M Analog Cell - Steel Deck

Side Rail

Model Number	Cells	Modules	Length	Width	Capacity
BS-2010-120-FESD-HDSR-CPR-M	4	1	20'	10'	120K
BS-3010-120-FESD-HDSR-CPR-M	4	1	30'	10'	120K
BS-4010-200-FESD-HDSR-CPR-M	6	2	40'	10'	200K
BS-5010-200-FESD-HDSR-CPR-M	6	2	50'	10'	200K
BS-6010-270-FESD-HDSR-CPR-M	8	3	60'	10'	270K
BS-7010-270-FESD-HDSR-CPR-M	8	3	70'	10'	270K
BS-8010-270-FESD-HDSR-CPR-M	8	3	80'	10'	270K
BS-9010-270-FESD-HDSR-CPR-M	10	4	90'	10'	270K
BS-10010-270-FESD-HDSR-CPR-M	10	4	100'	10'	270K
BS-12010-270-FESD-HDSR-CPR-M	12	5	120'	10'	270K
BS-2011-120-FESD-HDSR-CPR-M	4	1	20'	11'	120K
BS-3011-120-FESD-HDSR-CPR-M	4	1	30'	11'	120K
BS-4011-200-FESD-HDSR-CPR-M	6	2	40'	11'	200K
BS-5011-200-FESD-HDSR-CPR-M	6	2	50'	11'	200K
BS-6011-270-FESD-HDSR-CPR-M	8	3	60'	11'	270K
BS-7011-270-FESD-HDSR-CPR-M	8	3	70'	11'	270K
BS-8011-270-FESD-HDSR-CPR-M	8	3	80'	11'	270K
BS-9011-270-FESD-HDSR-CPR-M	10	4	90'	11'	270K
BS-10011-270-FESD-HDSR-CPR-M	10	4	100'	11'	270K
BS-12011-270-FESD-HDSR-CPR-M	12	5	120'	11'	270K
BS-2012-120-FESD-HDSR-CPR-M	4	1	20'	12'	120K
BS-3012-120-FESD-HDSR-CPR-M	4	1	30'	12'	120K
BS-4012-200-FESD-HDSR-CPR-M	6	2	40'	12'	200K
BS-5012-200-FESD-HDSR-CPR-M	6	2	50'	12'	200K
BS-6012-270-FESD-HDSR-CPR-M	8	3	60'	12'	270K
BS-7012-270-FESD-HDSR-CPR-M	8	3	70'	12'	270K
BS-8012-270-FESD-HDSR-CPR-M	8	3	80'	12'	270K
BS-9012-270-FESD-HDSR-CPR-M	10	4	90'	12'	270K
BS-10012-270-FESD-HDSR-CPR-M	10	4	100'	12'	270K
BS-12012-270-FESD-HDSR-CPR-M	12	5	120'	12'	270K



Heavy Duty Side Rail

Side Rail

CPD-M Digital Cell - Steel Deck

GENERAL SPECIFICATIONS

- Certificate of Conformance: 92-195A4
- Type: Above ground integral side rail
- Scale Capacity: Up to 270K lb
- Concentrated Load Capacity: 80K lb
- Scale Height: 23" standard height - custom lower and taller height
- Available Widths: 10' - 14'
- Weighbridge Deck: 3/8" tread plate decking - welded
- Steel Preparation: Commercial blast cleaning SSPC-SP6
- Paint System: Cross-linked two-part epoxy primer followed by two-part polyurethane top coat
- Load Cell: 77K CPD-M digital compression column load cell, RS-485 digital output
Stainless steel hermetically sealed (IP68/69K) construction
- Load Cell Cable: Stainless steel sheathed cable with clear polymer protective coating & water-tight connectors
- Junction Box: NEMA 4X stainless steel enclosure(s) and 8-cell terminal board with GDT surge protection
- Surge Protection: CPD-M digital load cells along with digital indicator protect against lightning
Built-in surge protection enhanced by Tripp Lite Isobar Ultra 4-Outlet AC line transient protection device and two in-line serial port surge protection devices
- Warranty: 5-Year "End-Wall to End-Wall" parts, labor and travel warranty covering the weighbridge, load cells, junction box, and DD 700 indicator from failure or damage due to lightning
- Indicator: Supplied with a DD 700 ABS desk-top digital indicator



Scale includes: foundation anchor bolts (3/4" x 7"), weighbridge assembly hardware, weighbridge checking system, load cells, load cell cables, load cell mounting kit and shims, stainless junction box, Tripp Lite Isobar Ultra 4-outlet surge protection device, all ground cables and rod, weighbridge cable conduits, 50' of homerun cable, DD 700 ABS desktop indicator and (2) order specific scale / foundation prints.

Scale does not include: foundation rebar, end-wall or approach wall coping, end-wall bumper checking plates, freight cost to site and any other required permits.

Heavy Duty Side Rail



CPD-M Digital Cell - Steel Deck

Side Rail

Model Number	Cells	Modules	Length	Width	Capacity
BS-2010-120-FESD-HDSR-CPD-M	4	1	20'	10'	120K
BS-3010-120-FESD-HDSR-CPD-M	4	1	30'	10'	120K
BS-4010-200-FESD-HDSR-CPD-M	6	2	40'	10'	200K
BS-5010-200-FESD-HDSR-CPD-M	6	2	50'	10'	200K
BS-6010-270-FESD-HDSR-CPD-M	8	3	60'	10'	270K
BS-7010-270-FESD-HDSR-CPD-M	8	3	70'	10'	270K
BS-8010-270-FESD-HDSR-CPD-M	8	3	80'	10'	270K
BS-9010-270-FESD-HDSR-CPD-M	10	4	90'	10'	270K
BS-10010-270-FESD-HDSR-CPD-M	10	4	100'	10'	270K
BS-12010-270-FESD-HDSR-CPD-M	12	5	120'	10'	270K
BS-2011-120-FESD-HDSR-CPD-M	4	1	20'	11'	120K
BS-3011-120-FESD-HDSR-CPD-M	4	1	30'	11'	120K
BS-4011-200-FESD-HDSR-CPD-M	6	2	40'	11'	200K
BS-5011-200-FESD-HDSR-CPD-M	6	2	50'	11'	200K
BS-6011-270-FESD-HDSR-CPD-M	8	3	60'	11'	270K
BS-7011-270-FESD-HDSR-CPD-M	8	3	70'	11'	270K
BS-8011-270-FESD-HDSR-CPD-M	8	3	80'	11'	270K
BS-9011-270-FESD-HDSR-CPD-M	10	4	90'	11'	270K
BS-10011-270-FESD-HDSR-CPD-M	10	4	100'	11'	270K
BS-12011-270-FESD-HDSR-CPD-M	12	5	120'	11'	270K
BS-2012-120-FESD-HDSR-CPD-M	4	1	20'	12'	120K
BS-3012-120-FESD-HDSR-CPD-M	4	1	30'	12'	120K
BS-4012-200-FESD-HDSR-CPD-M	6	2	40'	12'	200K
BS-5012-200-FESD-HDSR-CPD-M	6	2	50'	12'	200K
BS-6012-270-FESD-HDSR-CPD-M	8	3	60'	12'	270K
BS-7012-270-FESD-HDSR-CPD-M	8	3	70'	12'	270K
BS-8012-270-FESD-HDSR-CPD-M	8	3	80'	12'	270K
BS-9012-270-FESD-HDSR-CPD-M	10	4	90'	12'	270K
BS-10012-270-FESD-HDSR-CPD-M	10	4	100'	12'	270K
BS-12012-270-FESD-HDSR-CPD-M	12	5	120'	12'	270K

Heavy Duty Side Rail

CPR-M Analog Cell - Concrete Deck



GENERAL SPECIFICATIONS

- Certificate of Conformance: 92-195A4
- Type: Above ground integral side rail
- Scale Capacity: Up to 270K lb
- Concentrated Load Capacity: 80K lb
- Scale Height: 22-3/4" standard height - custom lower and taller height
- Available Widths: 10' - 14'
- Weighbridge Deck: 6" concrete deck
Option: Factory supplied deck sheeting and rebar (Truck Scale Accessories)
- Steel Preparation: Commercial blast cleaning SSPC-SP6
- Paint System: Cross-linked two-part epoxy primer followed by two-part polyurethane top coat
- Load Cell: 77K CPR-M analog compression-column load cell, 700 Ohm, 2 mV/V
Stainless steel environmentally sealed (IP68) construction
- Load Cell Cable: Stainless steel sheathed cable with clear polymer protective coating, integral
- Junction Box: NEMA 4X/6P UV resistant polycarbonate enclosure(s) and B-TEK 4-cell summing board with GDT surge protection
- Surge Protection: CPR-M analog load cells utilize ground straps and base plate isolation disc
Surge protection enhanced by Tripp Lite Isobar Ultra 4-Outlet line transient protection device
- Warranty: 5-Year weighbridge warranty covering defects in materials and workmanship
5-Year components warranty covering defects in materials and workmanship
5-Year surge / lightning warranty covering CPR-M load cells and summing boards



Scale includes: foundation anchor bolts (3/4" x 7"), weighbridge modules, weighbridge assembly hardware, weighbridge checking system, load cells, load cell cables, load cell mounting kit and shims, FRP junction box, Tripp Lite Isobar Ultra 4-outlet surge protection device, all ground cables and rod, weighbridge cable conduits and (2) order specific scale / foundation prints.

Scale does not include: scale deck sheeting and rebar, foundation rebar, end-wall or approach wall coping, end-wall bumper checking plates, freight cost to site and any other required permits.

Heavy Duty Side Rail



Side Rail

CPR-M Analog Cell - Concrete Deck

Model Number	Cells	Modules	Length	Width	Capacity
BS-2010-120-FECD-HDSR-CPR-M	4	1	20'	10'	120K
BS-3010-120-FECD-HDSR-CPR-M	4	1	30'	10'	120K
BS-4010-200-FECD-HDSR-CPR-M	6	2	40'	10'	200K
BS-5010-200-FECD-HDSR-CPR-M	6	2	50'	10'	200K
BS-6010-270-FECD-HDSR-CPR-M	8	3	60'	10'	270K
BS-7010-270-FECD-HDSR-CPR-M	8	3	70'	10'	270K
BS-8010-270-FECD-HDSR-CPR-M	8	3	80'	10'	270K
BS-9010-270-FECD-HDSR-CPR-M	10	4	90'	10'	270K
BS-10010-270-FECD-HDSR-CPR-M	10	4	100'	10'	270K
BS-12010-270-FECD-HDSR-CPR-M	12	5	120'	10'	270K
BS-2011-120-FECD-HDSR-CPR-M	4	1	20'	11'	120K
BS-3011-120-FECD-HDSR-CPR-M	4	1	30'	11'	120K
BS-4011-200-FECD-HDSR-CPR-M	6	2	40'	11'	200K
BS-5011-200-FECD-HDSR-CPR-M	6	2	50'	11'	200K
BS-6011-270-FECD-HDSR-CPR-M	8	3	60'	11'	270K
BS-7011-270-FECD-HDSR-CPR-M	8	3	70'	11'	270K
BS-8011-270-FECD-HDSR-CPR-M	8	3	80'	11'	270K
BS-9011-270-FECD-HDSR-CPR-M	10	4	90'	11'	270K
BS-10011-270-FECD-HDSR-CPR-M	10	4	100'	11'	270K
BS-12011-270-FECD-HDSR-CPR-M	12	5	120'	11'	270K
BS-2012-120-FECD-HDSR-CPR-M	4	1	20'	12'	120K
BS-3012-120-FECD-HDSR-CPR-M	4	1	30'	12'	120K
BS-4012-200-FECD-HDSR-CPR-M	6	2	40'	12'	200K
BS-5012-200-FECD-HDSR-CPR-M	6	2	50'	12'	200K
BS-6012-270-FECD-HDSR-CPR-M	8	3	60'	12'	270K
BS-7012-270-FECD-HDSR-CPR-M	8	3	70'	12'	270K
BS-8012-270-FECD-HDSR-CPR-M	8	3	80'	12'	270K
BS-9012-270-FECD-HDSR-CPR-M	10	4	90'	12'	270K
BS-10012-270-FECD-HDSR-CPR-M	10	4	100'	12'	270K
BS-12012-270-FECD-HDSR-CPR-M	12	5	120'	12'	270K

Heavy Duty Side Rail

CPD-M Digital Cell - Concrete Deck



GENERAL SPECIFICATIONS

- Certificate of Conformance: 92-195A4
- Type: Above ground integral side rail
- Scale Capacity: Up to 270K lb
- Concentrated Load Capacity: 80K lb
- Scale Height: 22-3/4" standard height - custom lower and taller height
- Available Widths: 10' - 14'
- Weighbridge Deck: 6" concrete deck
Option: Factory supplied deck sheeting and rebar (Truck Scale Accessories)
- Steel Preparation: Commercial blast cleaning SSPC-SP6
- Paint System: Cross-linked two-part epoxy primer followed by two-part polyurethane top coat
- Load Cell: 77K CPD-M digital compression column load cell, RS-485 digital output
Stainless steel hermetically sealed (IP68/69K) construction
- Load Cell Cable: Stainless steel sheathed cable with clear polymer protective coating & water-tight connectors
- Junction Box: NEMA 4X stainless steel enclosure(s) and 8-cell terminal board with GDT surge protection
- Surge Protection: CPD-M digital load cells along with digital indicator protect against lightning
Built-in surge protection enhanced by Tripp Lite Isobar Ultra 4-Outlet AC line transient protection device and two in-line serial port surge protection devices
- Warranty: 5-Year "End-Wall to End-Wall" parts, labor and travel warranty covering the weighbridge, load cells junction box, and DD 700 indicator from failure or damage due to lightning
- Indicator: Supplied with a DD 700 ABS desk-top digital indicator



Scale includes: foundation anchor bolts (3/4" x 7"), weighbridge assembly hardware, weighbridge checking system, load cells, load cell cables, load cell mounting kit and shims, stainless junction box, Tripp Lite Isobar Ultra 4-outlet surge protection device, all ground cables and rod, weighbridge cable conduits, 50' of homerun cable, DD 700 ABS desktop indicator and (2) order specific scale / foundation prints.

Scale does not include: scale deck sheeting and rebar, foundation rebar, end-wall or approach wall coping, end-wall bumper checking plates, freight cost to site and any other required permits.

Heavy Duty Side Rail



CPD-M Digital Cell - Concrete Deck

Side Rail

Model Number	Cells	Modules	Length	Width	Capacity
BS-2010-120-FECD-HDSR-CPD-M	4	1	20'	10'	120K
BS-3010-120-FECD-HDSR-CPD-M	4	1	30'	10'	120K
BS-4010-200-FECD-HDSR-CPD-M	6	2	40'	10'	200K
BS-5010-200-FECD-HDSR-CPD-M	6	2	50'	10'	200K
BS-6010-270-FECD-HDSR-CPD-M	8	3	60'	10'	270K
BS-7010-270-FECD-HDSR-CPD-M	8	3	70'	10'	270K
BS-8010-270-FECD-HDSR-CPD-M	8	3	80'	10'	270K
BS-9010-270-FECD-HDSR-CPD-M	10	4	90'	10'	270K
BS-10010-270-FECD-HDSR-CPD-M	10	4	100'	10'	270K
BS-12010-270-FECD-HDSR-CPD-M	12	5	120'	10'	270K
BS-2011-120-FECD-HDSR-CPD-M	4	1	20'	11'	120K
BS-3011-120-FECD-HDSR-CPD-M	4	1	30'	11'	120K
BS-4011-200-FECD-HDSR-CPD-M	6	2	40'	11'	200K
BS-5011-200-FECD-HDSR-CPD-M	6	2	50'	11'	200K
BS-6011-270-FECD-HDSR-CPD-M	8	3	60'	11'	270K
BS-7011-270-FECD-HDSR-CPD-M	8	3	70'	11'	270K
BS-8011-270-FECD-HDSR-CPD-M	8	3	80'	11'	270K
BS-9011-270-FECD-HDSR-CPD-M	10	4	90'	11'	270K
BS-10011-270-FECD-HDSR-CPD-M	10	4	100'	11'	270K
BS-12011-270-FECD-HDSR-CPD-M	12	5	120'	11'	270K
BS-2012-120-FECD-HDSR-CPD-M	4	1	20'	11'	120K
BS-3012-120-FECD-HDSR-CPD-M	4	1	30'	11'	120K
BS-4012-200-FECD-HDSR-CPD-M	6	2	40'	11'	200K
BS-5012-200-FECD-HDSR-CPD-M	6	2	50'	11'	200K
BS-6012-270-FECD-HDSR-CPD-M	8	3	60'	11'	270K
BS-7012-270-FECD-HDSR-CPD-M	8	3	70'	11'	270K
BS-8012-270-FECD-HDSR-CPD-M	8	3	80'	11'	270K
BS-9012-270-FECD-HDSR-CPD-M	10	4	90'	11'	270K
BS-10012-270-FECD-HDSR-CPD-M	10	4	100'	11'	270K
BS-12012-270-FECD-HDSR-CPD-M	12	5	120'	11'	270K

Pit Type - FESD-P

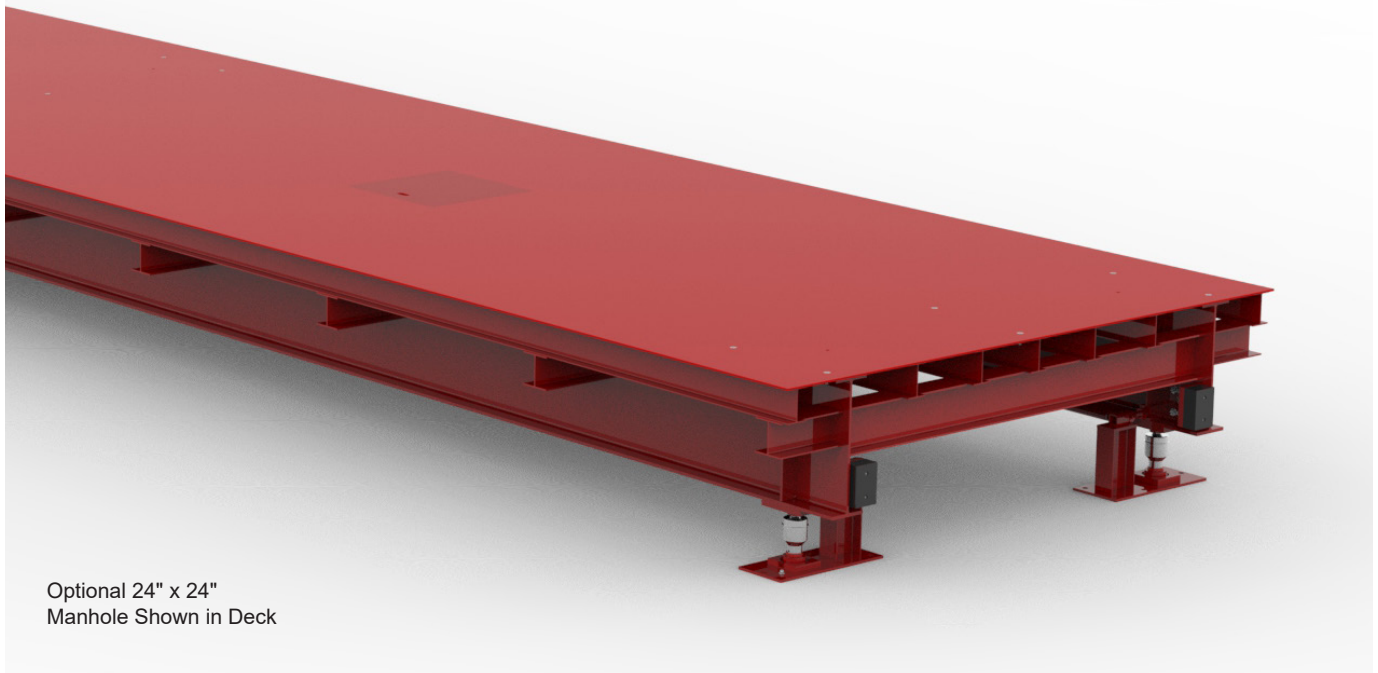
CPR-M Analog Cell - Steel Deck



GENERAL SPECIFICATIONS

- Certificate of Conformance: 92-195A4
- Type: Pit
- Scale Capacity: Up to 270K lb
- Concentrated Load Capacity: 100K lb
- Scale Height: 36" standard height - custom lower and taller height
- Available Widths: 8' - 13'
- Weighbridge Deck: 3/8" tread plate decking - welded
- Steel Preparation: Commercial blast cleaning SSPC-SP6
- Paint System: Cross-linked two-part epoxy primer followed by two-part polyurethane top coat
- Load Cell: 77K CPR-M analog compression-column load cell, 700 Ohm, 2 mV/V
Stainless steel environmentally sealed (IP67) construction
- Load Cell Cable: Stainless steel sheathed cable with clear polymer protective coating, integral
- Junction Box: NEMA 4X/6P UV resistant polycarbonate enclosure(s) and B-TEK 4-cell summing board with GDT surge protection
- Surge Protection: CPR-M analog load cells utilize ground straps and base plate isolation disc
Surge protection enhanced by Tripp Lite Isobar Ultra 4-Outlet line transient protection device
- Warranty: 5-Year weighbridge warranty covering defects in materials and workmanship
5-Year components warranty covering defects in materials and workmanship
5-Year surge / lightning warranty covering CPR-M load cells and summing boards

Pit Type



Optional 24" x 24"
Manhole Shown in Deck

Scale includes: foundation anchor bolts (3/4" x 7"), weighbridge modules, weighbridge assembly hardware, weighbridge checking system, load cells, load cell cables, load cell mounting kit and shims, FRP junction box, Tripp Lite Isobar Ultra 4-outlet surge protection device, all ground cables and rod, weighbridge cable conduits and (2) order specific scale / foundation prints.

Scale does not include: Scale indicator, printer, homerun cable, foundation rebar, manholes, end-wall or approach wall coping, end-wall bumper checking plates, freight cost to site and any other required permits.

Pit Type - FESD-P



CPR-M Analog Cell - Steel Deck

Model Number	Cells	Modules	Length	Width	Capacity
BS-1010-120-FESD-P-CPR-M	4	1	10'	10'	120K
BS-2010-120-FESD-P-CPR-M	4	1	20'	10'	120K
BS-2510-120-FESD-P-CPR-M	4	1	25'	10'	120K
BS-3010-120-FESD-P-CPR-M	4	1	30'	10'	120K
BS-4010-200-FESD-P-CPR-M	6	2	40'	10'	200K
BS-5010-200-FESD-P-CPR-M	6	2	50'	10'	200K
BS-6010-270-FESD-P-CPR-M	8	3	60'	10'	270K
BS-7010-270-FESD-P-CPR-M	8	3	70'	10'	270K
BS-8010-270-FESD-P-CPR-M	8	3	80'	10'	270K
BS-9010-270-FESD-P-CPR-M	10	4	90'	10'	270K
BS-10010-270-FESD-P-CPR-M	10	4	100'	10'	270K
BS-12010-270-FESD-P-CPR-M	12	5	120'	10'	270K
BS-1011-120-FESD-P-CPR-M	4	1	10'	11'	120K
BS-2011-120-FESD-P-CPR-M	4	1	20'	11'	120K
BS-2511-120-FESD-P-CPR-M	4	1	25'	11'	120K
BS-3011-120-FESD-P-CPR-M	4	1	30'	11'	120K
BS-4011-200-FESD-P-CPR-M	6	2	40'	11'	200K
BS-5011-200-FESD-P-CPR-M	6	2	50'	11'	200K
BS-6011-270-FESD-P-CPR-M	8	3	60'	11'	270K
BS-7011-270-FESD-P-CPR-M	8	3	70'	11'	270K
BS-8011-270-FESD-P-CPR-M	8	3	80'	11'	270K
BS-9011-270-FESD-P-CPR-M	10	4	90'	11'	270K
BS-10011-270-FESD-P-CPR-M	10	4	100'	11'	270K
BS-12011-270-FESD-P-CPR-M	12	5	120'	11'	270K
BS-1012-120-FESD-P-CPR-M	4	1	10'	12'	120K
BS-2012-120-FESD-P-CPR-M	4	1	20'	12'	120K
BS-2512-120-FESD-P-CPR-M	4	1	25'	12'	120K
BS-3012-120-FESD-P-CPR-M	4	1	30'	12'	120K
BS-4012-200-FESD-P-CPR-M	6	2	40'	12'	200K
BS-5012-200-FESD-P-CPR-M	6	2	50'	12'	200K
BS-6012-270-FESD-P-CPR-M	8	3	60'	12'	270K
BS-7012-270-FESD-P-CPR-M	8	3	70'	12'	270K
BS-8012-270-FESD-P-CPR-M	8	3	80'	12'	270K
BS-9012-270-FESD-P-CPR-M	10	4	90'	12'	270K
BS-10012-270-FESD-P-CPR-M	10	4	100'	12'	270K
BS-12012-270-FESD-P-CPR-M	12	5	120'	12'	270K

Pit Type

Pit Type - FESD-P

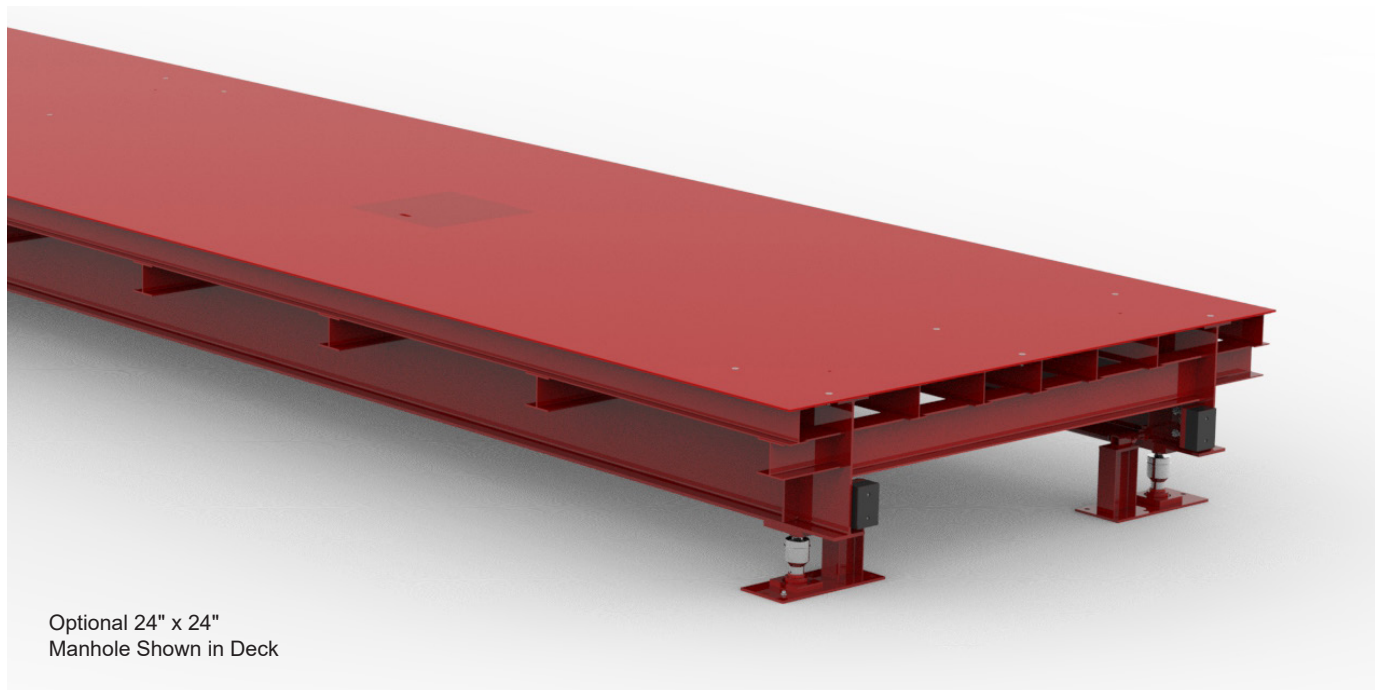
CPD-M Digital Cell - Steel Deck



GENERAL SPECIFICATIONS

- Certificate of Conformance: 92-195A4
- Type: Pit
- Scale Capacity: Up to 270K lb
- Concentrated Load Capacity: 100K lb
- Scale Height: 36" standard height - custom lower and taller height
- Available Widths: 8' - 13'
- Weighbridge Deck: 3/8" tread plate decking - welded
- Steel Preparation: Commercial blast cleaning SSPC-SP6
- Paint System: Cross-linked two-part epoxy primer followed by two-part polyurethane top coat
- Load Cell: 77K CPD-M digital compression column load cell, RS-485 digital output
Stainless steel hermetically sealed (IP68/69K) construction
- Load Cell Cable: Stainless steel sheathed cable with clear polymer protective coating & water-tight connectors
- Junction Box: NEMA 4X stainless steel enclosure(s) and 8-cell terminal board with GDT surge protection
- Surge Protection: CPD-M digital load cells along with digital indicator protect against lightning
Built-in surge protection enhanced by Tripp Lite Isobar Ultra 4-Outlet AC line transient protection device and two in-line serial port surge protection devices
- Warranty: 5-Year "End-Wall to End-Wall" parts, labor and travel warranty covering the weighbridge, load cells junction box, and DD 700 indicator from failure or damage due to lightning
- Indicator: *Supplied with a DD 700 ABS desk-top digital indicator*

Pit Type



Scale includes: foundation anchor bolts (3/4" x 7"), weighbridge assembly hardware, weighbridge checking system, load cells, load cell cables, load cell mounting kit and shims, stainless junction box, Tripp Lite Isobar Ultra 4-outlet surge protection device, all ground cables and rod, weighbridge cable conduits, 50' of homerun cable, DD 700 ABS desktop indicator and (2) order specific scale / foundation prints.

Scale does not include: foundation rebar, manholes, end-wall or approach wall coping, end-wall bumper checking plates, freight cost to site and any other required permits.

Pit Type - FESD-P



CPD-M Digital Cell - Steel Deck

Model Number	Cells	Modules	Length	Width	Capacity
BS-1010-120-FESD-P-CPD-M	4	1	10'	10'	120K
BS-2010-120-FESD-P-CPD-M	4	1	20'	10'	120K
BS-2510-120-FESD-P-CPD-M	4	1	25'	10'	120K
BS-3010-120-FESD-P-CPD-M	4	1	30'	10'	120K
BS-4010-200-FESD-P-CPD-M	6	2	40'	10'	200K
BS-5010-200-FESD-P-CPD-M	6	2	50'	10'	200K
BS-6010-270-FESD-P-CPD-M	8	3	60'	10'	270K
BS-7010-270-FESD-P-CPD-M	8	3	70'	10'	270K
BS-8010-270-FESD-P-CPD-M	8	3	80'	10'	270K
BS-9010-270-FESD-P-CPD-M	10	4	90'	10'	270K
BS-10010-270-FESD-P-CPD-M	10	4	100'	10'	270K
BS-12010-270-FESD-P-CPD-M	12	5	120'	10'	270K
BS-1011-120-FESD-P-CPD-M	4	1	10'	11'	120K
BS-2011-120-FESD-P-CPD-M	4	1	20'	11'	120K
BS-2511-120-FESD-P-CPD-M	4	1	25'	11'	120K
BS-3011-120-FESD-P-CPD-M	4	1	30'	11'	120K
BS-4011-200-FESD-P-CPD-M	6	2	40'	11'	200K
BS-5011-200-FESD-P-CPD-M	6	2	50'	11'	200K
BS-6011-270-FESD-P-CPD-M	8	3	60'	11'	270K
BS-7011-270-FESD-P-CPD-M	8	3	70'	11'	270K
BS-8011-270-FESD-P-CPD-M	8	3	80'	11'	270K
BS-9011-270-FESD-P-CPD-M	10	4	90'	11'	270K
BS-10011-270-FESD-P-CPD-M	10	4	100'	11'	270K
BS-12011-270-FESD-P-CPD-M	12	5	120'	11'	270K
BS-1012-120-FESD-P-CPD-M	4	1	10'	12'	120K
BS-2012-120-FESD-P-CPD-M	4	1	20'	12'	120K
BS-2512-120-FESD-P-CPD-M	4	1	25'	12'	120K
BS-3012-120-FESD-P-CPD-M	4	1	30'	12'	120K
BS-4012-200-FESD-P-CPD-M	6	2	40'	12'	200K
BS-5012-200-FESD-P-CPD-M	6	2	50'	12'	200K
BS-6012-270-FESD-P-CPD-M	8	3	60'	12'	270K
BS-7012-270-FESD-P-CPD-M	8	3	70'	12'	270K
BS-8012-270-FESD-P-CPD-M	8	3	80'	12'	270K
BS-9012-270-FESD-P-CPD-M	10	4	90'	12'	270K
BS-10012-270-FESD-P-CPD-M	10	4	100'	12'	270K
BS-12012-270-FESD-P-CPD-M	12	5	120'	12'	270K

Pit Type

Pit Type - FECD-P

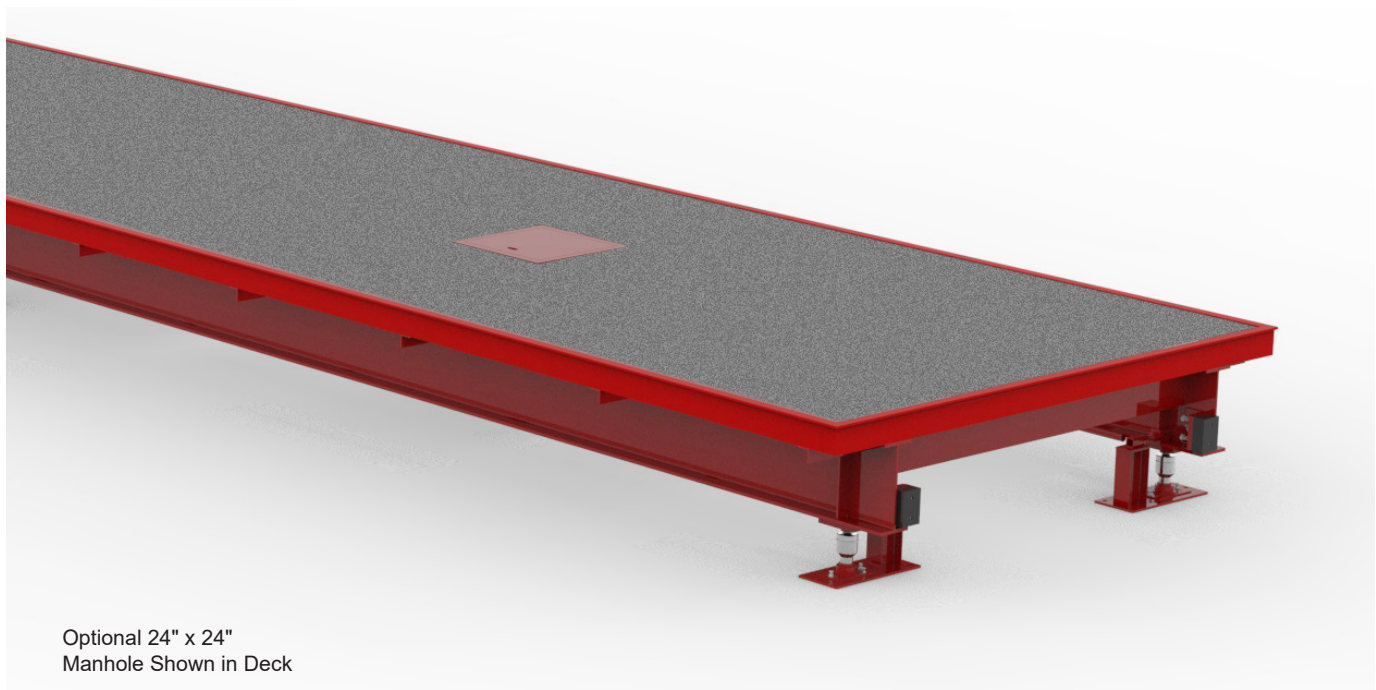
CPR-M Analog Cell - Concrete Deck



GENERAL SPECIFICATIONS

- Certificate of Conformance: 92-195A4
- Type: Pit
- Scale Capacity: Up to 270K lb
- Concentrated Load Capacity: 80K lb
- Scale Height: 36" standard height - custom lower and taller height
- Available Widths: 8' - 13'
- Weighbridge Deck: 6" concrete deck - deck coping supplied for field installation
Option: Factory supplied deck sheeting and rebar (Truck Scale Accessories)
- Steel Preparation: Commercial blast cleaning SSPC-SP6
- Paint System: Cross-linked two-part epoxy primer followed by two-part polyurethane top coat
- Load Cell: 77K CPR-M analog compression-column load cell, 700 Ohm, 2 mV/V
Stainless steel environmentally sealed (IP68) construction
- Load Cell Cable: Stainless steel sheathed cable with clear polymer protective coating, integral
- Junction Box: NEMA 4X/6P UV resistant polycarbonate enclosure(s) and B-TEK 4-cell summing board with GDT surge protection
- Surge Protection: CPR-M analog load cells utilize ground straps and base plate isolation disc
Surge protection enhanced by Tripp Lite Isobar Ultra 4-Outlet line transient protection device
- Warranty: 5-Year weighbridge warranty covering defects in materials and workmanship
5-Year components warranty covering defects in materials and workmanship
5-Year surge / lightning warranty covering CPR-M load cells and summing boards

Pit Type



Optional 24" x 24"
Manhole Shown in Deck

Scale includes: foundation anchor bolts (3/4" x 7"), weighbridge modules, weighbridge assembly hardware, weighbridge checking system, load cells, load cell cables, load cell mounting kit and shims, FRP junction box, Tripp Lite Isobar Ultra 4-outlet surge protection device, all ground cables and rod, weighbridge cable conduits and (2) order specific scale / foundation prints.

Scale does not include: scale deck sheeting and rebar, manholes, foundation rebar, end-wall or approach wall coping, end-wall bumper checking plates, freight cost to site and any other required permits.

Pit Type - FECD-P



CPR-M Analog Cell - Concrete Deck

Model Number	Cells	Modules	Length	Width	Capacity
BS-1010-120-FECD-P-CPR-M	4	1	10'	10'	120K
BS-2010-120-FECD-P-CPR-M	4	1	20'	10'	120K
BS-2510-120-FECD-P-CPR-M	4	1	25'	10'	120K
BS-3010-120-FECD-P-CPR-M	4	1	30'	10'	120K
BS-4010-200-FECD-P-CPR-M	6	2	40'	10'	200K
BS-5010-200-FECD-P-CPR-M	6	2	50'	10'	200K
BS-6010-270-FECD-P-CPR-M	8	3	60'	10'	270K
BS-7010-270-FECD-P-CPR-M	8	3	70'	10'	270K
BS-8010-270-FECD-P-CPR-M	8	3	80'	10'	270K
BS-9010-270-FECD-P-CPR-M	10	4	90'	10'	270K
BS-10010-270-FECD-P-CPR-M	10	4	100'	10'	270K
BS-12010-270-FECD-P-CPR-M	12	5	120'	10'	270K
BS-1011-120-FECD-P-CPR-M	4	1	10'	11'	120K
BS-2011-120-FECD-P-CPR-M	4	1	20'	11'	120K
BS-2511-120-FECD-P-CPR-M	4	1	25'	11'	120K
BS-3011-120-FECD-P-CPR-M	4	1	30'	11'	120K
BS-4011-200-FECD-P-CPR-M	6	2	40'	11'	200K
BS-5011-200-FECD-P-CPR-M	6	2	50'	11'	200K
BS-6011-270-FECD-P-CPR-M	8	3	60'	11'	270K
BS-7011-270-FECD-P-CPR-M	8	3	70'	11'	270K
BS-8011-270-FECD-P-CPR-M	8	3	80'	11'	270K
BS-9011-270-FECD-P-CPR-M	10	4	90'	11'	270K
BS-10011-270-FECD-P-CPR-M	10	4	100'	11'	270K
BS-12011-270-FECD-P-CPR-M	12	5	120'	11'	270K
BS-1012-120-FECD-P-CPR-M	4	1	10'	12'	120K
BS-2012-120-FECD-P-CPR-M	4	1	20'	12'	120K
BS-2512-120-FECD-P-CPR-M	4	1	25'	12'	120K
BS-3012-120-FECD-P-CPR-M	4	1	30'	12'	120K
BS-4012-200-FECD-P-CPR-M	6	2	40'	12'	200K
BS-5012-200-FECD-P-CPR-M	6	2	50'	12'	200K
BS-6012-270-FECD-P-CPR-M	8	3	60'	12'	270K
BS-7012-270-FECD-P-CPR-M	8	3	70'	12'	270K
BS-8012-270-FECD-P-CPR-M	8	3	80'	12'	270K
BS-9012-270-FECD-P-CPR-M	10	4	90'	12'	270K
BS-10012-270-FECD-P-CPR-M	10	4	100'	12'	270K
BS-12012-270-FECD-P-CPR-M	12	5	120'	12'	270K

Pit Type

Pit Type - FECD-P

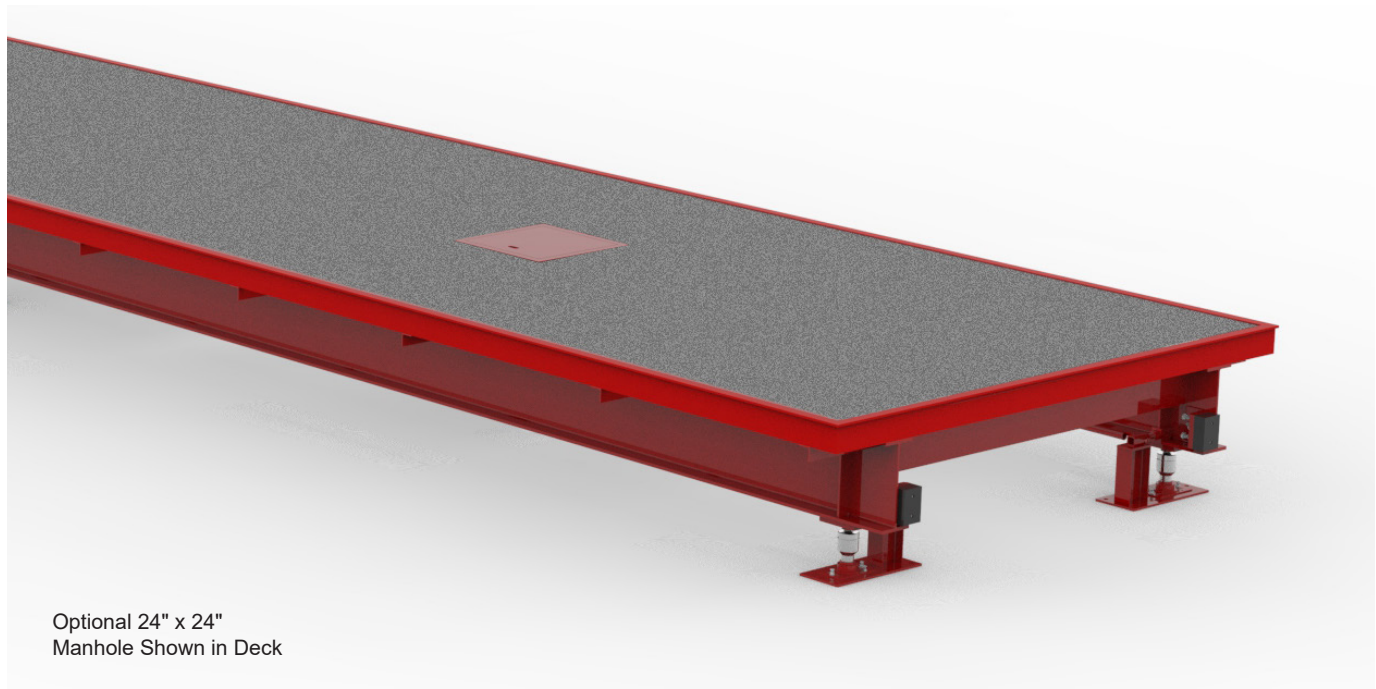
CPD-M Digital Cell - Concrete Deck



GENERAL SPECIFICATIONS

- Certificate of Conformance: 92-195A4
- Type: Pit
- Scale Capacity: Up to 270K lb
- Concentrated Load Capacity: 80K lb
- Scale Height: 36" standard height - custom lower and taller height
- Available Widths: 8' - 13'
- Weighbridge Deck: 6" concrete deck - deck coping supplied for field installation
Option: Factory supplied deck sheeting and rebar (Truck Scale Accessories)
- Steel Preparation: Commercial blast cleaning SSPC-SP6
- Paint System: Cross-linked two-part epoxy primer followed by two-part polyurethane top coat
- Load Cell: 77K CPD-M digital compression column load cell, RS-485 digital output
Stainless steel hermetically sealed (IP68/69K) construction
- Load Cell Cable: Stainless steel sheathed cable with clear polymer protective coating & water-tight connectors
- Junction Box: NEMA 4X stainless steel enclosure(s) and 8-cell terminal board with GDT surge protection
- Surge Protection: CPD-M digital load cells along with digital indicator protect against lightning
Built-in surge protection enhanced by Tripp Lite Isobar Ultra 4-Outlet AC line transient protection device and two in-line serial port surge protection devices
- Warranty: 5-Year "End-Wall to End-Wall" parts, labor and travel warranty covering the weighbridge, load cells junction box, and DD 700 indicator from failure or damage due to lightning
- Indicator: *Supplied with a DD 700 ABS desk-top digital indicator*

Pit Type



Optional 24" x 24"
Manhole Shown in Deck

Scale includes: foundation anchor bolts (3/4" x 7"), weighbridge assembly hardware, weighbridge checking system, load cells, load cell cables, load cell mounting kit and shims, stainless junction box, Tripp Lite Isobar Ultra 4-outlet surge protection device, all ground cables and rod, weighbridge cable conduits, 50' of homerun cable, DD 700 ABS desktop indicator and (2) order specific scale / foundation prints.

Scale does not include: scale deck sheeting and rebar, manholes, foundation rebar, end-wall or approach wall coping, end-wall bumper checking plates, freight cost to site and any other required permits.

Pit Type - FECD-P



CPD-M Digital Cell - Concrete Deck

Model Number	Cells	Modules	Length	Width	Capacity
BS-1010-120-FECD-P-CPD-M	4	1	10'	10'	120K
BS-2010-120-FECD-P-CPD-M	4	1	20'	10'	120K
BS-2510-120-FECD-P-CPD-M	4	1	25'	10'	120K
BS-3010-120-FECD-P-CPD-M	4	1	30'	10'	120K
BS-4010-200-FECD-P-CPD-M	6	2	40'	10'	200K
BS-5010-200-FECD-P-CPD-M	6	2	50'	10'	200K
BS-6010-270-FECD-P-CPD-M	8	3	60'	10'	270K
BS-7010-270-FECD-P-CPD-M	8	3	70'	10'	270K
BS-8010-270-FECD-P-CPD-M	8	3	80'	10'	270K
BS-9010-270-FECD-P-CPD-M	10	4	90'	10'	270K
BS-10010-270-FECD-P-CPD-M	10	4	100'	10'	270K
BS-12010-270-FECD-P-CPD-M	12	5	120'	10'	270K
BS-1011-120-FECD-P-CPD-M	4	1	10'	11'	120K
BS-2011-120-FECD-P-CPD-M	4	1	20'	11'	120K
BS-2511-120-FECD-P-CPD-M	4	1	25'	11'	120K
BS-3011-120-FECD-P-CPD-M	4	1	30'	11'	120K
BS-4011-200-FECD-P-CPD-M	6	2	40'	11'	200K
BS-5011-200-FECD-P-CPD-M	6	2	50'	11'	200K
BS-6011-270-FECD-P-CPD-M	8	3	60'	11'	270K
BS-7011-270-FECD-P-CPD-M	8	3	70'	11'	270K
BS-8011-270-FECD-P-CPD-M	8	3	80'	11'	270K
BS-9011-270-FECD-P-CPD-M	10	4	90'	11'	270K
BS-10011-270-FECD-P-CPD-M	10	4	100'	11'	270K
BS-12011-270-FECD-P-CPD-M	12	5	120'	11'	270K
BS-1012-120-FECD-P-CPD-M	4	1	10'	12'	120K
BS-2012-120-FECD-P-CPD-M	4	1	20'	12'	120K
BS-2512-120-FECD-P-CPD-M	4	1	25'	12'	120K
BS-3012-120-FECD-P-CPD-M	4	1	30'	12'	120K
BS-4012-200-FECD-P-CPD-M	6	2	40'	12'	200K
BS-5012-200-FECD-P-CPD-M	6	2	50'	12'	200K
BS-6012-270-FECD-P-CPD-M	8	3	60'	12'	270K
BS-7012-270-FECD-P-CPD-M	8	3	70'	12'	270K
BS-8012-270-FECD-P-CPD-M	8	3	80'	12'	270K
BS-9012-270-FECD-P-CPD-M	10	4	90'	12'	270K
BS-10012-270-FECD-P-CPD-M	10	4	100'	12'	270K
BS-12012-270-FECD-P-CPD-M	12	5	120'	12'	270K

Pit Type

Pit Type - Durline MTC

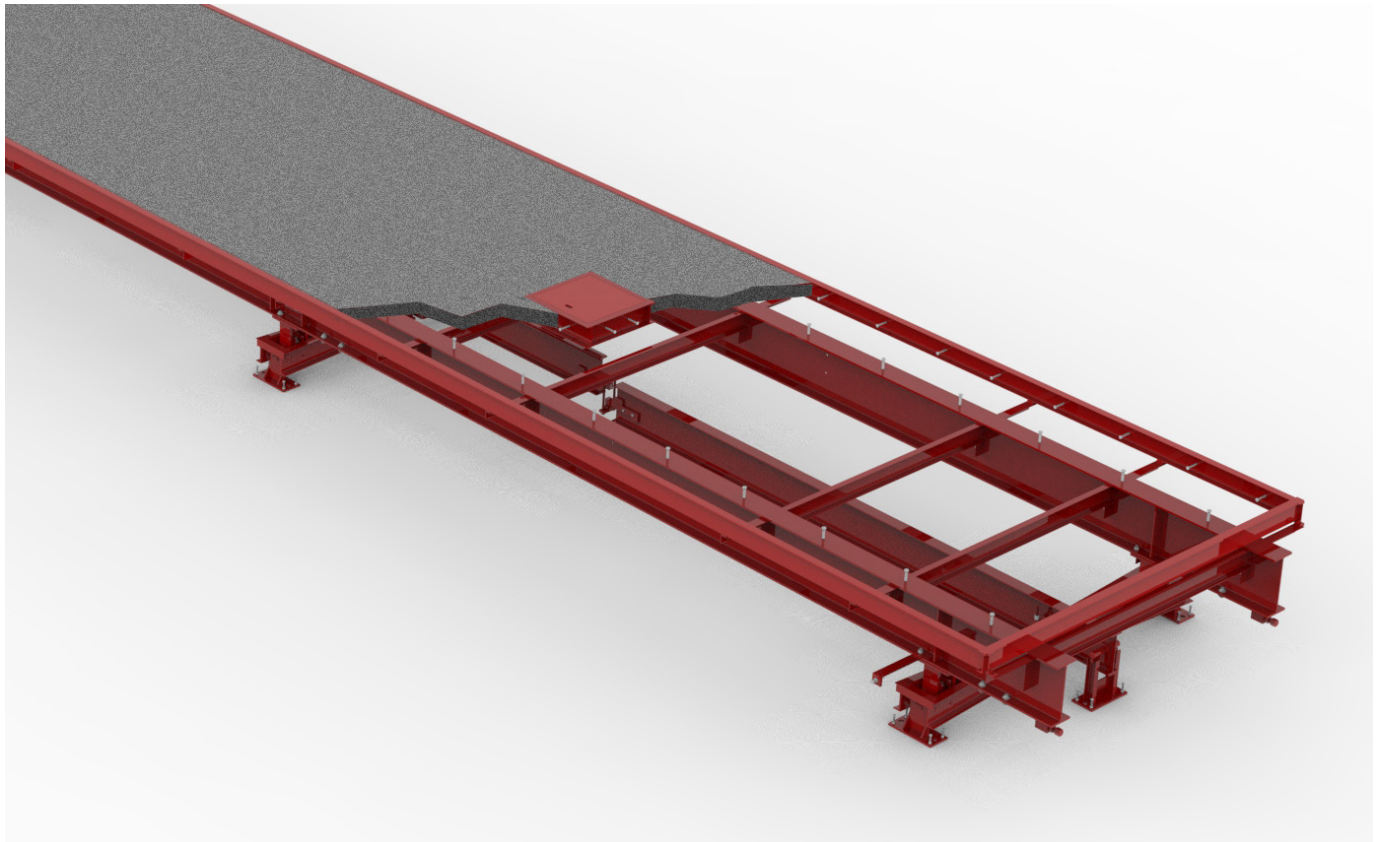
Electro-Mechanical Pit-Type - Concrete Deck



GENERAL SPECIFICATIONS

- Certificate of Conformance: 01-076A1
- Type: Pit type electro-mechanical straight lever system
- Scale Capacity: Up to 270K lb
- Concentrated Load Capacity: 56K & 67K lb
- Scale Height: 43-7/8"
- Available Widths: 10' - 12'
- Weighbridge Deck: 6" concrete deck - Includes deck coping with Nelson studs
Option: Factory supplied deck sheeting and rebar (Truck Scale Accessories)
- Steel Preparation: Commercial blast cleaning SSPC-SP6
- Paint System: Cross-linked two-part epoxy primer followed by two-part polyurethane top coat
- Load Cell: Single S-Type load cell (included)
- Mechanical: Utilizes parallel link suspension and fabricated lever system
- Junction Box: Not necessary for single cell scale
- Surge Protection: Tripp Lite Isobar Ultra 4-Outlet line transient protection device and scale grounding package
- Warranty: 5-Year weighbridge warranty covering defects in materials and workmanship
5-Year lever system warranty covering defects in materials and workmanship
1-Year load cell warranty covering defects in materials and workmanship
18-month pivots, bearings and suspension parts covering defects in materials and workmanship

Pit Type



Scale includes: foundation anchor bolts (3/4" x 7"), weighbridge main beams and cross members (field assembled), weighbridge assembly hardware, deck coping, load cell stand, Tripp Lite Isobar Ultra 4-outlet surge protection device and (2) order specific scale / foundation prints.

Scale does not include: scale deck sheeting and rebar, manholes, foundation rebar, end-wall or approach wall coping, side and end-wall bumper checking plates, freight cost to site and any other required permits.

Pit Type - Durline MTC



Electro-Mechanical Pit-Type - Concrete Deck

Model Number	Cells	Sections	Length	Width	CAP/CLC
MTC-24303	1	2	24'	10'	80K / 56K
MTC-30303	1	2	30'	10'	80K / 56K
MTC-34504	1	3	34'	10'	160K / 67K
MTC-40604	1	3	40'	10'	160K / 67K
MTC-50604	1	4	50'	10'	200K / 67K
MTC-60604	1	4	60'	10'	200K / 67K
MTC-65604	1	4	65'	10'	200K / 67K
MTC-70604	1	4	70'	10'	200K / 67K
MTC-80604	1	5	80'	10'	270K / 67K
MTC-90604	1	6	90'	10'	270K / 67K
MTC-100604	1	6	100'	10'	270K / 67K
MTC-110604	1	6	110'	10'	270K / 67K
MTC-120604	1	6	120'	10'	270K / 67K

Pit Type

11' and 12' widths available

Portable Truck Scale

Centurion Self Contained Portable



GENERAL SPECIFICATIONS

- Certificate of Conformance: 03-096A3
- Type: Centurion scale with full portability frame and (2) integral reinforced bulkhead assemblies. Full length channel frame with lock-down tabs to tie the weighbridge and frame together for transport without disassembly of load cell mounts.
- Scale Capacity: Up to 270K lb
- Concentrated Load Capacity: 100K lb
- "r" Factor Rating: 2.94
- Scale Height: 17"
- Available Widths: 10' & 11' standard widths (12' by request)
- Weighbridge Deck: 3/8" tread plate decking - welded to Quad Beam weighbridge
- Steel Preparation: Commercial blast cleaning SSPC-SP6
- Paint System: Cross-Linked two-part Epoxy primer base coat followed by two-part Polyurethane top coat
- Load Cell Analog: 77K CPR-M analog compression-column load cell, 700 Ohm, 2 mV/V
Stainless steel hermetically sealed (IP68) construction
- Load Cell Digital: 77K CPD-M digital compression column load cell, RS-485 digital output
Stainless steel hermetically sealed (IP68/69K) construction
- Load Cell Cable: Stainless steel sheathed cable with clear polymer protective coating
- Junction Box Analog: NEMA 4X/6P UV resistant polycarbonate enclosure(s) and B-TEK 4-cell summing board with GDT surge protection
- Junction Box Digital: NEMA 4X stainless steel enclosure(s) and 8-cell terminal board with GDT surge protection
- Surge Protection: CPR-M analog load cells utilize ground straps and base plate isolation disc
Surge protection enhanced by Tripp Lite IsoBar Ultra 4-Outlet line transient protection device
- Warranty: 5-Year weighbridge warranty covering defects in materials and workmanship
5-Year components warranty covering defects in materials and workmanship
5-Year surge / lightning warranty covering CPR-M or CPD-M load cells and summing boards
- Indicator: *Not included with analog cell version - DD 700 ABS Included with digital cell version*

Portable



Scale includes: weighbridge modules, fully assembled weighbridge factory assembled into frame, weighbridge checking system, load cells, load cell base plates, shim kit for each base plate, FRP or stainless junction box, Tripp Lite IsoBar Ultra 4-outlet surge protection device, all ground cables and rod, weighbridge cable conduits and (2) order specific scale / foundation prints.

Scale does not include: Scale indicator (CPR-M version), printer, homerun cable, anchors and freight cost to site and any other required permits.

Portable Truck Scale



Centurion CPD-M Digital Cell - Steel Deck

Model Number	Cells	Modules	Length	Width	Capacity
CT-1210-DT-PORT	4	1	12'	10'	150K
CT-2410-DT-PORT	4	1	24'	10'	150K
CT-3010-DT-PORT	4	1	30'	10'	150K
CT-6010-DT-PORT	8	3	60'	10'	270K
CT-7010-DT-PORT	8	3	70'	10'	270K
CT-7210-DT-PORT	8	3	72'	10'	270K
CT-1211-DT-PORT	4	1	12'	11'	150K
CT-2411-DT-PORT	4	1	24'	11'	150K
CT-3011-DT-PORT	4	1	30'	11'	150K
CT-6011-DT-PORT	8	3	60'	11'	270K
CT-7011-DT-PORT	8	3	70'	11'	270K
CT-7211-DT-PORT	8	3	72'	11'	270K

Portable

Centurion CPR-M Analog Cell - Steel Deck

Model Number	Cells	Modules	Length	Width	Capacity
CT-1210-AT-PORT	4	1	12'	10'	150K
CT-2410-AT-PORT	4	1	24'	10'	150K
CT-3010-AT-PORT	4	1	30'	10'	150K
CT-6010-AT-PORT	8	3	60'	10'	270K
CT-7010-AT-PORT	8	3	70'	10'	270K
CT-7210-AT-PORT	8	3	72'	10'	270K
CT-1211-AT-PORT	4	1	12'	11'	150K
CT-2411-AT-PORT	4	1	24'	11'	150K
CT-3011-AT-PORT	4	1	30'	11'	150K
CT-6011-AT-PORT	8	3	60'	11'	270K
CT-7011-AT-PORT	8	3	70'	11'	270K
CT-7211-AT-PORT	8	3	72'	11'	270K

Model Number	CT-12xx	CT-24xx	CT-30xx	CT-60xx	CT-70xx	CT-72xx
Actual Scale	13'-6 1/2"	25'-6 1/2"	30'	60'	70'	72'

Shipping width with frame:
 10' wide weighbridge with or without sight rail = 11' - 5" shipping width
 11' wide weighbridge with or without sight rail = 12' - 5" shipping width

Scales are shipped fully assembled in portability frame. Load cells are installed and cables are pulled through conduit as much as possible.

- 12 x 11 = 13,000 lb single lift
- 24 x 11 = 18,000 lb single lift
- 30 x 11 = 24,000 lb single lift
- 60 x 11 = 17,000 lb heaviest lift
- 72 x 11 = 17,000 lb heaviest lift

Portable Truck Scale



Hybrid Self Contained Portable



GENERAL SPECIFICATIONS

- Certificate of Conformance: 03-096A3
- Type: Above ground flat top and pit installation
- Scale Capacity: Up to 270K lb
- Concentrated Load Capacity: 80K lb
- "r" Factor Rating: 2.35
- Scale Height: 16"
- Available Widths: 10' - 14'
- Weighbridge Deck: 1/4" tread plate decking
- Steel Preparation: Commercial blast cleaning SSPC-SP6
- Paint System: Cross-Linked two-part Epoxy primer base coat followed by two-part Polyurethane top coat
- Load Cell: 77K CPR-M analog compression-column load cell, 700 Ohm, 2 mV/V
Stainless steel hermetically sealed (IP68) construction
- Load Cell Cable: Stainless steel sheathed cable with clear polymer protective coating, integral
- Junction Box: NEMA 4X/6P UV resistant polycarbonate enclosure(s) and B-TEK 4-cell summing board with GDT surge protection
- Surge Protection: CPR-M analog load cells utilize ground straps and base plate isolation disc
Surge protection enhanced by Tripp Lite Isobar Ultra 4-Outlet line transient protection device
- Warranty: 5-Year weighbridge warranty covering defects in materials and workmanship
5-Year components warranty covering defects in materials and workmanship
5-Year surge / lightning warranty covering CPR-M load cells and summing boards

Portable



Scale includes: weighbridge modules, fully assembled weighbridge factory assembled into frame, weighbridge checking system, load cells, load cell base plates, shim kit for each base plate, FRP or stainless junction box, Tripp Lite Isobar Ultra 4-outlet surge protection device, all ground cables and rod, weighbridge cable conduits and (2) order specific scale / foundation prints.

Scale does not include: Scale indicator (CPR-M version), printer, homerun cable, anchors and freight cost to site and any other required permits.

Portable Truck Scale



Hybrid CPD-M Digital Cell - Steel Deck

Model Number	Cells	Modules	Length	Width	Capacity
HY-1210-DT-PORT	4	1	12'	10'	150K
HY-2410-DT-PORT	4	1	24'	10'	150K
HY-3010-DT-PORT	4	1	30'	10'	150K
HY-6010-DT-PORT	8	3	60'	10'	270K
HY-7010-DT-PORT	8	3	70'	10'	270K
HY-7210-DT-PORT	8	3	72'	10'	270K
HY-1211-DT-PORT	4	1	12'	11'	150K
HY-2411-DT-PORT	4	1	24'	11'	150K
HY-3011-DT-PORT	4	1	30'	11'	150K
HY-6011-DT-PORT	8	3	60'	11'	270K
HY-7011-DT-PORT	8	3	70'	11'	270K
HY-7211-DT-PORT	8	3	72'	11'	270K

Portable

Hybrid CPR-M Analog Cell - Steel Deck

Model Number	Cells	Modules	Length	Width	Capacity
HY-1210-AT-PORT	4	1	12'	10'	150K
HY-2410-AT-PORT	4	1	24'	10'	150K
HY-3010-AT-PORT	4	1	30'	10'	150K
HY-6010-AT-PORT	8	3	60'	10'	270K
HY-7010-AT-PORT	8	3	70'	10'	270K
HY-7210-AT-PORT	8	3	72'	10'	270K
HY-1211-AT-PORT	4	1	12'	11'	150K
HY-2411-AT-PORT	4	1	24'	11'	150K
HY-3011-AT-PORT	4	1	30'	11'	150K
HY-6011-AT-PORT	8	3	60'	11'	270K
HY-7011-AT-PORT	8	3	70'	11'	270K
HY-7211-AT-PORT	8	3	72'	11'	270K

Model Number	CT-12xx	CT-24xx	CT-30xx	CT-60xx	CT-70xx	CT-72xx
Actual Scale	13'-6 1/2"	25'-6 1/2"	30'	60'	70'	72'

Shipping width with frame:
 10' wide weighbridge with or without sight rail = 11' - 5" shipping width
 11' wide weighbridge with or without sight rail = 12' - 5" shipping width

Scales are shipped fully assembled in portability frame. Load cells are installed and cables are pulled through conduit as much as possible.
 12 x 11 = 13,000 lb single lift
 24 x 11 = 18,000 lb single lift
 30 x 11 = 24,000 lb single lift
 60 x 11 = 17,000 lb heaviest lift
 72 x 11 = 17,000 lb heaviest lift

Portable Truck Scale



Centurion / Hybrid Portable Steel Ramp & Steel Level Approach

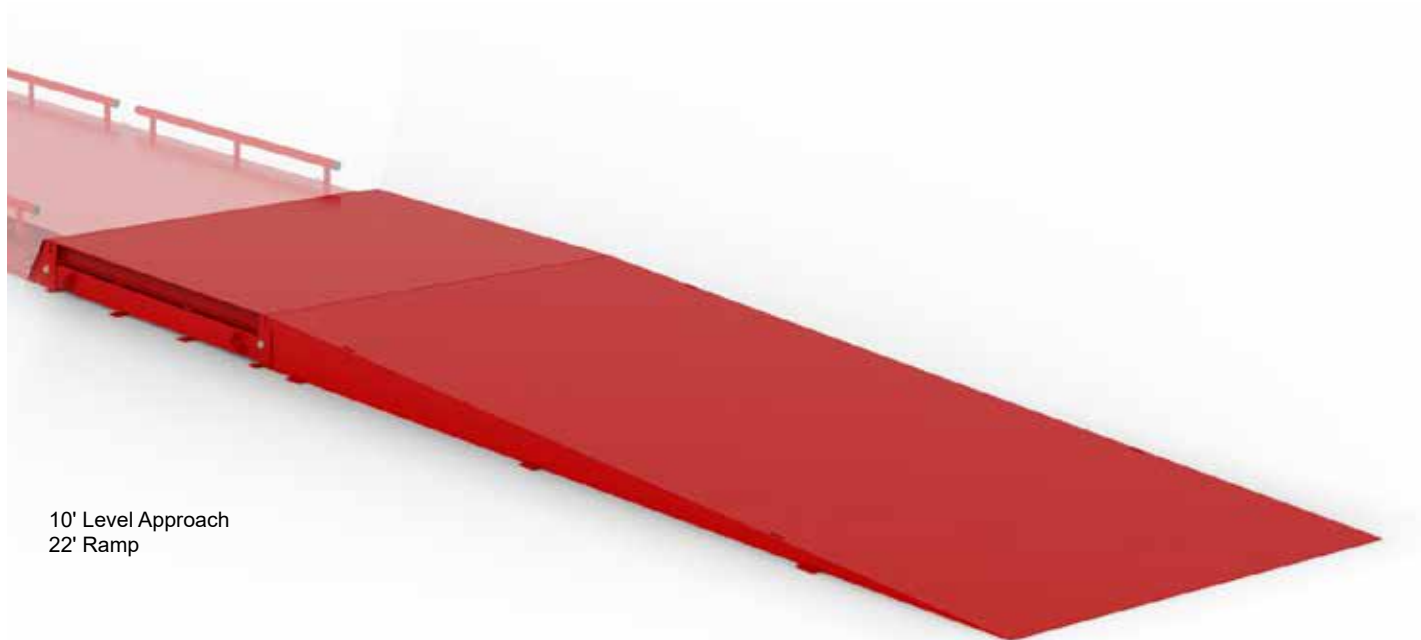
RAMP SPECIFICATIONS

- Type: Centurion / Hybrid portable steel ramp designed to be used in conjunction with standard B-TEK bulkhead or level approach
- Ramp Height: 16"
- Available Widths: 10' - 12' (any width by request)
- Available Lengths: 15' - 25' (any length by request)
- Weighbridge Deck: Tread plate decking
- Steel Preparation: Commercial blast cleaning SSPC-SP6
- Paint System: Cross-Linked two-part Epoxy primer base coat followed by two-part Polyurethane top coat

LEVEL APPROACH SPECIFICATIONS

- Type: Centurion / Hybrid portable level approach designed to be used in conjunction with standard B-TEK bulkhead and ramp
- Ramp Height: 16"
- Available Widths: 10' - 12' (any width by request)
- Available Lengths: 10' (any length by request)
- Weighbridge Deck: Tread plate decking w/ integral lifting lugs and lag-down tabs
- Steel Preparation: Commercial blast cleaning SSPC-SP6
- Paint System: Cross-Linked two-part Epoxy primer base coat followed by two-part Polyurethane top coat

Portable



10' Level Approach
22' Ramp

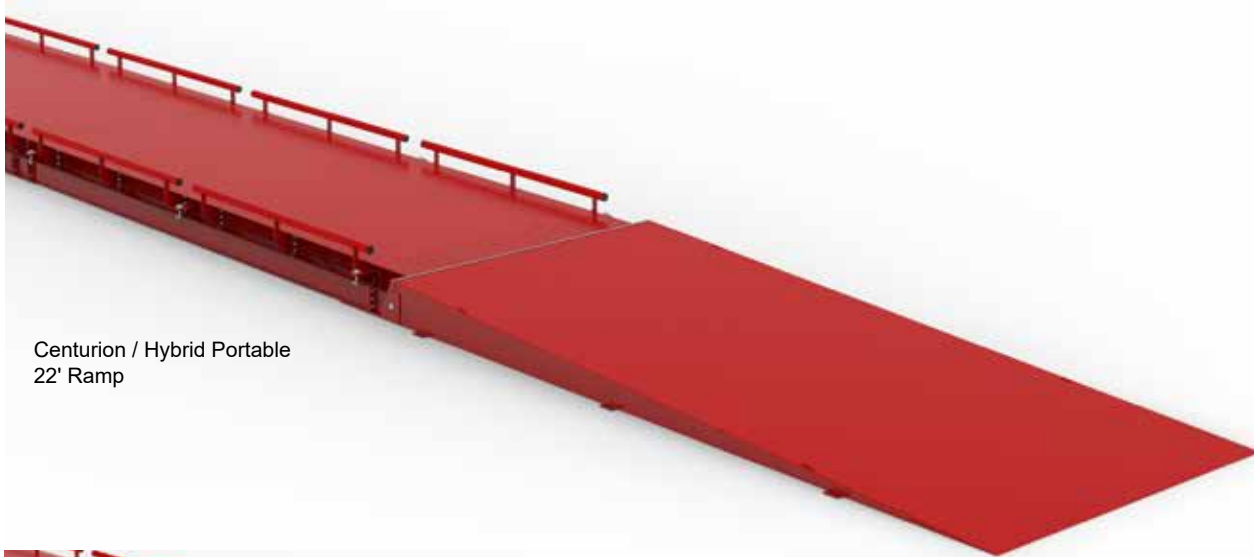
Portable Truck Scale

Centurion / Hybrid Portable Steel Ramp & Steel Level Approach

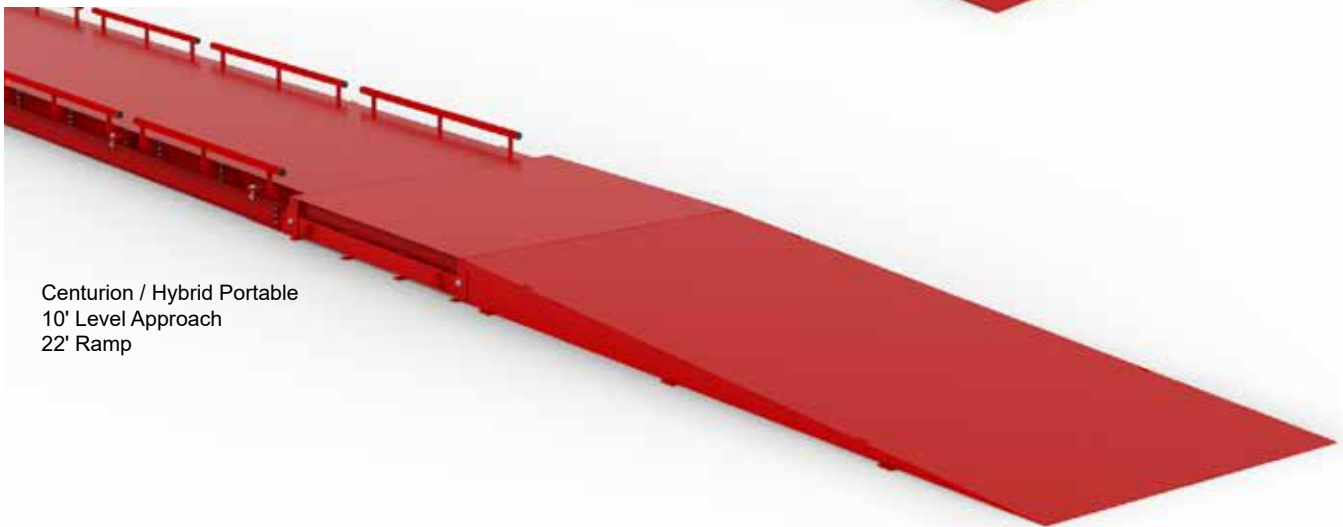
Model Number	Length	Width	Weight
PORT-1510-RAMP	15'	10'	4,200 lb
PORT-2010-RAMP	20'	10'	5,600 lb
PORT-2510-RAMP	25'	10'	7,000 lb
PORT-1511-RAMP	15'	11'	4,600 lb
PORT-2011-RAMP	20'	11'	6,100 lb
PORT-2511-RAMP	25'	11'	7,700 lb
PORT-1512-RAMP	15'	12'	5,000 lb
PORT-2012-RAMP	20'	12'	6,700 lb
PORT-2512-RAMP	25'	12'	8,400 lb

Model Number	Length	Width	Weight
PORT-1010-LAPP	10'	10'	3,600 lb
PORT-1011-LAPP	10'	11'	4,000 lb
PORT-1012-LAPP	10"	12"	4,500 lb

Portable



Centurion / Hybrid Portable
22' Ramp



Centurion / Hybrid Portable
10' Level Approach
22' Ramp

Portable Truck Scale



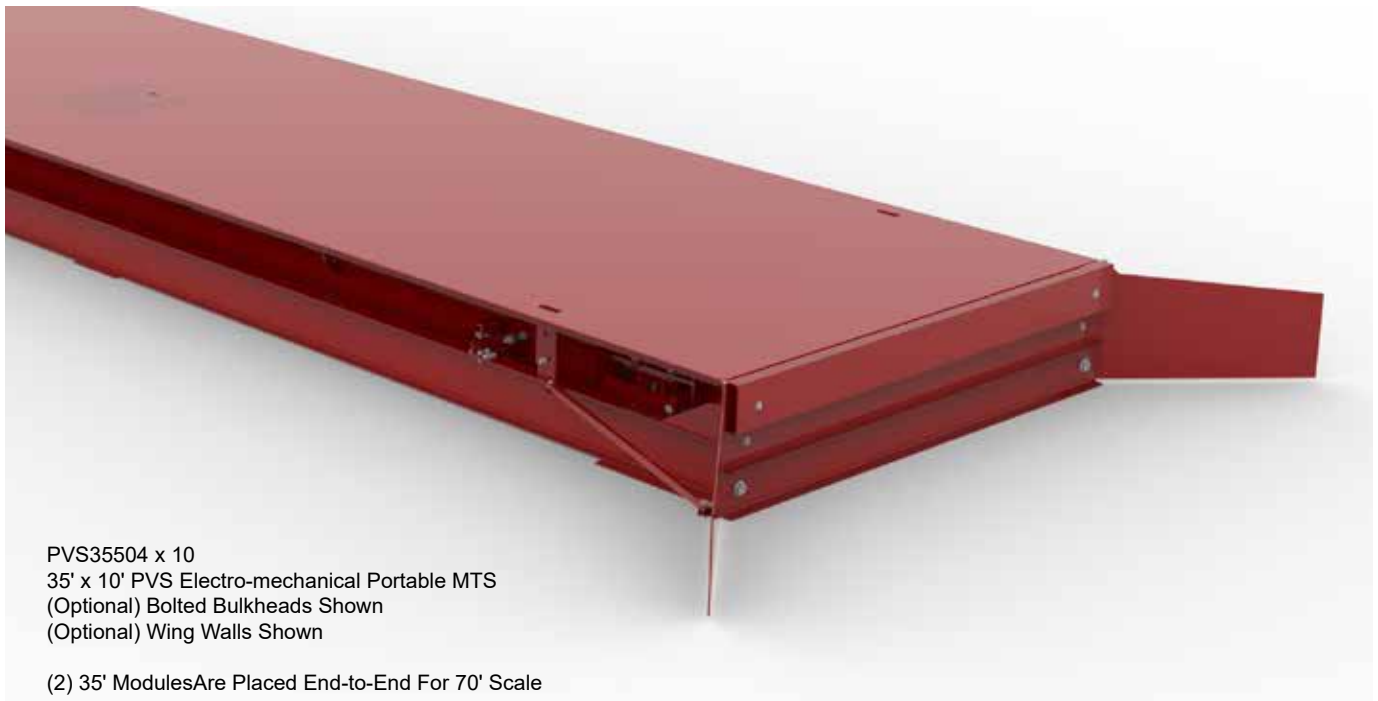
Electro-Mechanical - Durline PVS



GENERAL SPECIFICATIONS

- Certificate of Conformance: 01-079
- Type: Above ground electro-mechanical pipe lever system with full portability frame and (optional) bulkhead assemblies. Full length channel frame with lock-down tabs to tie the weighbridge and frame together for transport without disassembly.
- Scale Capacity: Up to 160,000 lb
- Concentrated Load Capacity: 66,000 lb
- Scale Height: 28"
- Available Widths: 10' - 12'
- Weighbridge Deck: 3/8" tread plate decking - welded to main beams and cross members
- Steel Preparation: Commercial blast cleaning SSPC-SP6
- Paint System: Cross-Linked two-part Epoxy primer base coat followed by two-part Polyurethane top coat
- Load Cell: S-Type load cell(s)
Nickel plated steel, environmentally sealed
- Mechanical: Utilizes parallel link suspension with heavy duty pipe lever system
- Junction Box: NEMA 4X FRP enclosure and B-TEK 4-cell summing board with GDT surge protection
- Surge Protection: Tripp Lite Isobar Ultra 4-Outlet line transient protection device and scale grounding package
- Warranty: 5-Year weighbridge warranty covering defects in materials and workmanship
5-Year lever system warranty covering defects in materials and workmanship
1-Year load cell warranty covering defects in materials and workmanship
18-month pivots, bearings and suspension parts covering defects in materials and workmanship

Portable



PVS35504 x 10
35' x 10' PVS Electro-mechanical Portable MTS
(Optional) Bolted Bulkheads Shown
(Optional) Wing Walls Shown

(2) 35' Modules Are Placed End-to-End For 70' Scale

Scale includes: weighbridge modules, weighbridge assembly hardware, full channel frame, load cell, load cell stand, junction box, Tripp Lite Isobar Ultra 4-outlet surge protection device and (2) order specific scale / foundation prints. 24" x 24" manhole included for access to suspension / lever system.

Scale does not include: Foundation anchors, (optional) bulkheads and (optional) gravel retainers, freight cost to site and any other required permits.

Weighbridge, frame & (optional) bulkheads ship from factory fully assembled

Portable Truck Scale



Electro-Mechanical - Durline PVS

Model Number	Cells	Sections	Length	Width	CAP / CLC
PVS30404 x 10	1	2	30"	10'	84K / 56K
PVS35504 x 10	1	2	35"	10'	84K / 56K
PVS60604 x 10	2	4	60"	10'	160K / 66K
PVS70604 x 10	2	4	70"	10'	160K / 66K
PVS30404 x 11	1	2	30"	11'	84K / 56K
PVS35504 x 11	1	2	35"	11'	84K / 56K
PVS60604 x 11	2	4	60"	11'	160K / 66K
PVS70604 x 11	2	4	70"	11'	160K / 66K
PVS30404 x 12	1	2	30"	12'	84K / 56K
PVS35504 x 12	1	2	35"	12'	84K / 56K
PVS60604 x 12	2	4	60"	12'	160K / 66K
PVS70604 x 12	2	4	70"	12'	160K / 66K

Portable

Options

- PVS-BH-10 Bolted Bulkheads - set of (2) for 10' wide PVS
- PVS-BH-11 Bolted Bulkheads - set of (2) for 11' wide PVS
- PVS-BH-12 Bolted Bulkheads - set of (2) for 12' wide PVS
- PVS-GR Gravel Retainers (bulkhead wings) set of (4)

Portable Truck Scale

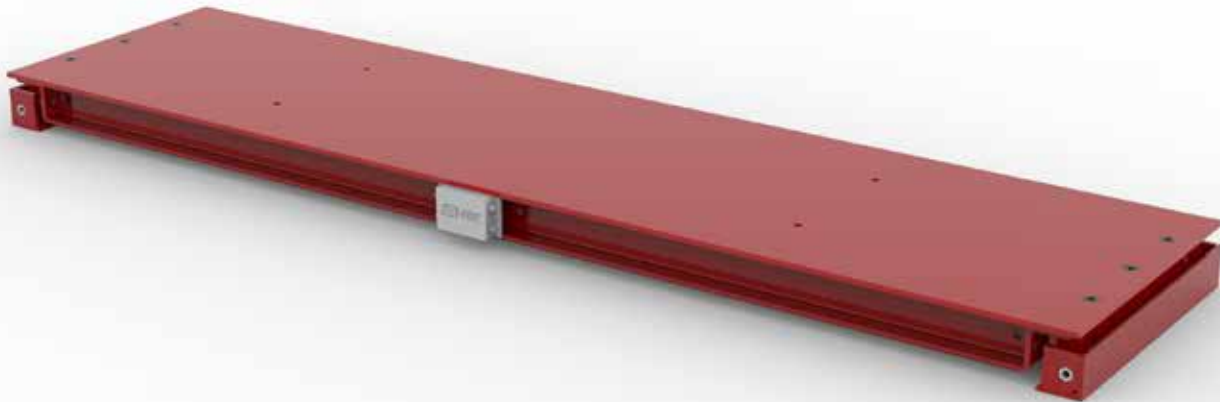


AX200 Portable Axle Scales

GENERAL SPECIFICATIONS

- Certificate of Conformance: NON-NTEP
- Type: Above ground portable axle scales - optional ramps are detachable
- Scale Capacity: 60,000 lb gross system capacity (30,000 lb per platform)
- Scale Platform Length: 7ft, 10ft, 12ft and 14ft
- Scale Height: 6"
- Scale Width: 30"
- Scale Deck: 1/2" tread plate decking - welded to main beams
- Ramp Dimensions: 30" wide x 36" length
- Steel Preparation: Commercial blast cleaning SSPC-SP6
- Paint System: Cross-linked two-part epoxy primer followed by two-part polyurethane top coat
- Load Cell: (2) 25K lb double ended shear beams per platform
Plated alloy steel, environmentally sealed (IP67)
- Junction Box: Stainless enclosure and gathering card
- Warranty: 1-Year weighbridge warranty covering defects in materials and workmanship
1-Year load cell warranty covering defects in materials and workmanship

Portable



Portable Truck Scale

AX200 Portable Axle Scales

Part Number	Model Number	Length	Width	Weight	Capacity
911-5600	AX200-3084-30	7'	30"	1,950 lb	60K
911-5601	AX200-30120-30	10'	30"	2,800 lb	60K
911-5602	AX200-30144-30	12'	30"	3,600 lb	60K
911-5603	AX200-30168-30	14'	30"	4,600 lb	80K
911-5650	AX200-RAMP (1)	36"	30"	270 lb	
Parts					
812-100167	SLS-25K DOUBLE ENDED BEAM LOAD CELL Alloy Steel - 2.00 mV/V - 30' Cable				

Portable



30" x 84" shown with optional ramps

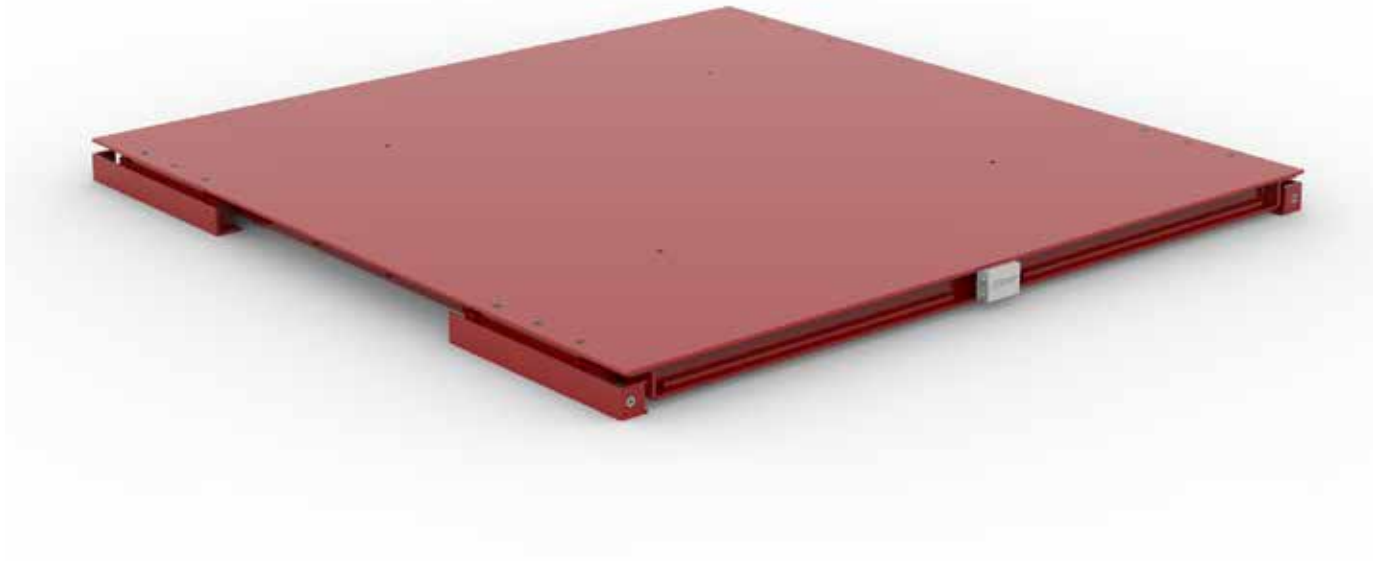
Portable Truck Scale

AX300 Portable Axle Scales

GENERAL SPECIFICATIONS

- Certificate of Conformance: NON-NTEP
- Type: Above ground portable axle scale - optional ramps are detachable
- Scale Capacity: 60K lb gross system capacity
- Scale Platform Length: 84" and 120" (custom platform length available)
- Scale Height: 6"
- Scale Width: 108" and 120" (custom platform width available)
- Scale Deck: 1/2" tread plate decking - welded to main beams
- Ramp Dimensions: 108 and 120" wide x 36" length (custom available)
- Steel Preparation: Commercial blast cleaning SSPC-SP6
- Paint System: Cross-linked two-part epoxy primer followed by two-part polyurethane top coat
- Load Cell: (4) 25K lb double ended shear beams per platform
Plated alloy steel, environmentally sealed (IP67)
- Junction Box: Stainless enclosure and gathering card
- Warranty: 1-Year weighbridge warranty covering defects in materials and workmanship
1-Year load cell warranty covering defects in materials and workmanship

Portable



Portable Truck Scale



AX300 Portable Axle Scales

Part Number	Model Number	Length	Width	Weight	Capacity
911-5700	AX300-10884-60	7'	9'	2,700 lb	60K
911-5701	AX300-108120-60	10'	9'	4,400 lb	60K
911-5702	AX300-120120-60	10'	10'	4,900 lb	60K
911-5750	AX300-10836-RAMP (1)	36"	9'	765 lb	
911-5751	AX300-12036-RAMP (1)	36"	10'	850 lb	

Parts

812-100167	SLS—25K Double Ended Beam Load Cell Alloy Steel - 2.00 mV/V - 30' Cable
------------	--

Portable



120" x 120" shown with optional ramps

Rail Track Scales

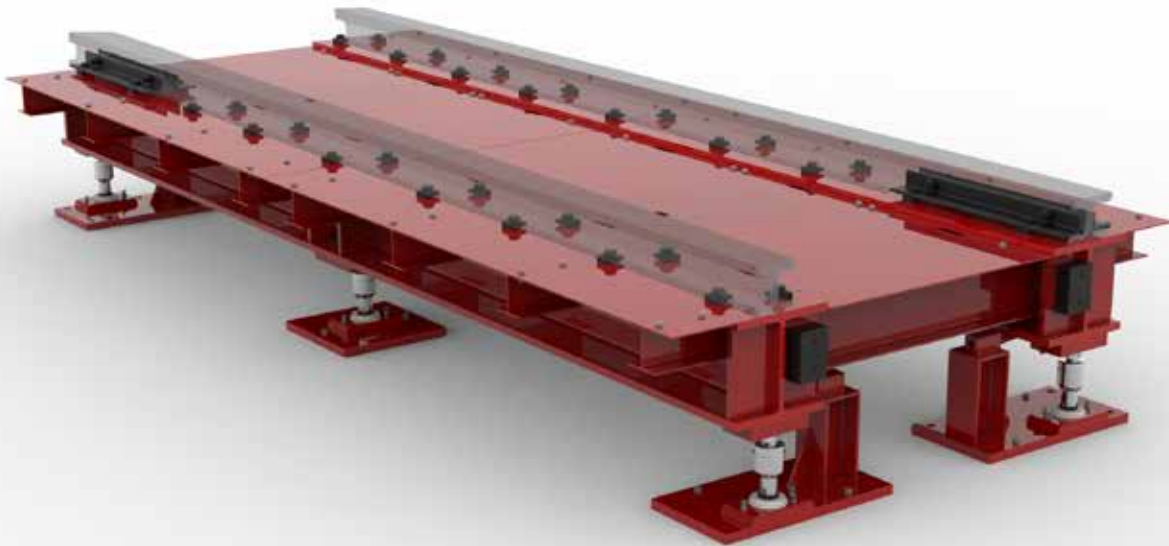
BT-RS Series - Low Profile Rail Scale Digital - AAR and AREMA Weighbridge Design



GENERAL SPECIFICATIONS

- Certificate of Conformance: 95-180A1
- Type: Low Profile - Meets AAR and AREMA standards
- Scale Capacity: 170K to 340K lb
- Scale Sectional Capacity: 170K lb
- Concentrated Load Capacity: 170K lb
- Scale Height: 30" - plus height of rail (supplied by others)
- Weighbridge Deck: 1/4" tread plate decking
- Steel Preparation: Commercial blast cleaning SSPC-SP6
- Paint System: Cross-linked two-part epoxy primer followed by two-part polyurethane top coat
- Load Cell: 110K CPD-M digital compression column load cell, RS-485 digital output
Stainless steel hermetically sealed (IP68/69K) construction
- Load Cell Cable: Stainless steel sheathed cable with clear polymer protective coating & water-tight connectors
- Junction Box: NEMA 4X stainless steel enclosure(s) and 8-cell terminal board with GDT surge protection
- Surge Protection: CPD-M digital load cells along with digital indicator protect against lightning
Built-in surge protection enhanced by Tripp Lite Isobar Ultra 4-Outlet AC line transient protection device and two in-line serial port surge protection devices
- Warranty: 5-Year weighbridge & CPD-M load cell warranty covering defects in materials and workmanship
5-Year surge / lightning warranty covering CPD-M load cells and junction box(es)
(Parts only - does not include travel or labor expenses)
- Indicator: Supplied with a DD 700 ABS desk-top digital indicator

CPR-M 110K analog compression column load cell also available



25' "DOUBLE" RAIL SCALE
RAIL SHOWN ON SCALE IS NOT INCLUDED

Rail Track Scales



BT-RS Series - Low Profile Rail Scale Digital - AAR and AREMA Weighbridge Design

Rail Above Deck

Model Number	Type	Live Rail Sizes	Capacity	Sectional Capacity
BT-150-170-SRS-RA-CPD	Single	12' 6"	170K	170K
BT-300-340-DRS-RA-CPD	Double	25'	340K	170K
BT-150/150-340-SSRS-RA-CPD	Single-Single	(2) 12' 6"	340K	170K
BT-150/300-340-SDRS-RA-CPD	Single-Double	12' 6"/25'	340K	170K
BT-300/300-340-DDRS-RA-CPD	Double-Double	(2) 25'	340K	170K

Rail Flush with Top of Deck

Model Number	Type	Live Rail Sizes	Capacity	Sectional Capacity
BT-150-170-SRS-RA-CPD-F	Single	12' 6"	170K	170K
BT-300-340-DRS-RA-CPD-F	Double	25'	340K	170K
BT-150/150-340-SSRS-RA-CPD-F	Single-Single	(2) 12' 6"	340K	170K
BT-150/300-340-SDRS-RA-CPD-F	Single-Double	12' 6"/25'	340K	170K
BT-300/300-340-DDRS-RA-CPD-F	Double-Double	(2) 25'	340K	170K

Scale Includes:

Weighbridge with standard welded cross members**, tread-plate deck covers (bolted) between the rails for foot traffic only, load cells, junction box(es), load cell base plates, bolted rail clips specific for rail size specified, anchor bolts (J-Type) for load cell mounting plates and checking stands, anchor bolt hardware, anti-creep brackets with hardware, checking system with hardware and DD 700 ABS indicator if digital cells supplied.

Scale Does NOT Include:

Rail for mounting on the weighbridge / approach assemblies and machine grout for pouring under load cell and checking base plates.

Options

25' Rail Plate End Approach Kit:	28" x 11" x 3/4" rail plates, anchor bolts with washers & nuts, rail clips and anti-creep devices
50' Rail Plate End Approach Kit:	28" x 11" x 3/4" rail plates, anchor bolts with washers & nuts, rail clips and anti-creep devices
Intermediate Rail Plate Approach Kit: Specify Length - Price Per Foot	28" x 11" x 3/4" rail plates, anchor bolts with washers & nuts, rail clips and anti-creep devices
25' T-Beam End Approach Kit:	T-Beams, Pandrol weld-on rail clips and anti-creep devices
50' T-Beam End Approach Kit:	T-Beams, Pandrol weld-on rail clips and anti-creep devices
Intermediate T-Beam Approach Kit: Specify Length - Price Per Foot	T-Beams, Pandrol weld-on rail clips and anti-creep devices
** Bolted cross members in scale weighbridges	Sometimes required when Norfolk Southern is the servicing railroad

Rail Track / Truck Scale



BT-RS Series - Rail Track / Truck Scale Rail / Truck Combo Scale



GENERAL SPECIFICATIONS

- Certificate of Conformance: 02-134A3
- Type: Pit type Rail / Truck Combination Scale - Meets AAR and AREMA standards
- Scale Capacity: 400K lb
- Scale Sectional Capacity: 360K lb
- Concentrated Load Capacity: 100K lb (Truck / Vehicle Portion)
- Weighbridge Deck: Concrete decking standard with optional steel deck panels
- Steel Preparation: Commercial blast cleaning SSPC-SP6
- Paint System: Cross-linked two-part epoxy primer followed by two-part polyurethane top coat
- Load Cell: 200K compression column load cells
Stainless steel, hermetically sealed (IP68)
- Load Cell Cable: 30' polyurethane coated cable
- Junction Box: NEMA 4X/6P UV resistant polycarbonate enclosure(s) and B-TEK 4-cell summing board with GDT surge protection
- Surge Protection: Tripp Lite Isobar Ultra 4-Outlet line transient protection device and scale grounding package
- Warranty: 5-Year weighbridge warranty covering defects in materials and workmanship
2-Year components warranty covering defects in materials and workmanship

Railroad



COMBINATION RAIL / TRUCK SCALE
CONCRETE DECK
RAIL SHOWN ON SCALE IS NOT INCLUDED

Rail Track / Truck Scale

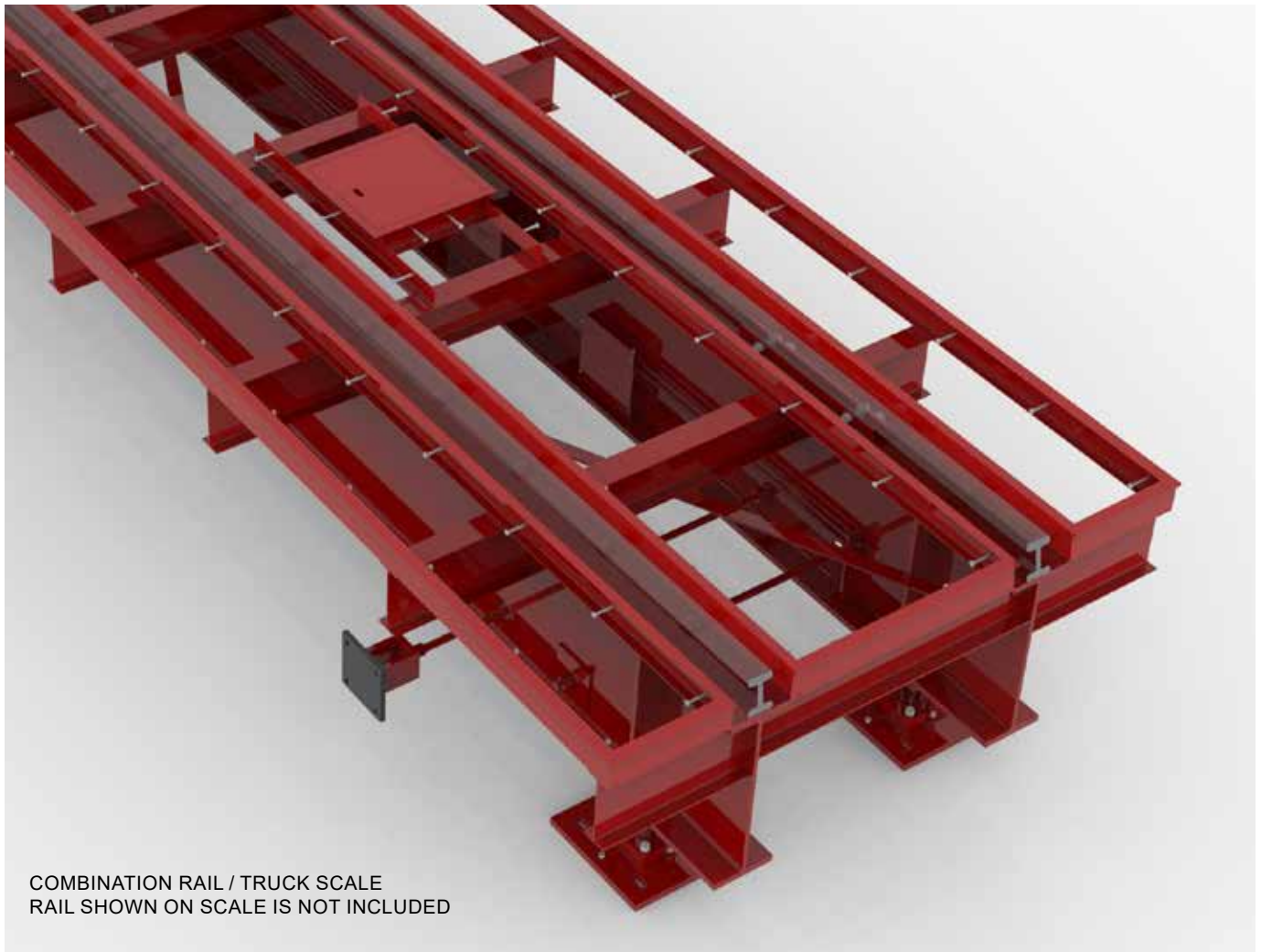
BT-RS Series - Rail Track / Truck Scale Rail / Truck Combo Scale

Rail / Truck Combination Scales are quoted based on specific application requirement.

Weighbridges and complete scales to fit existing foundations.

Concrete or steel deck panel versions available.

Please contact B-TEK for quote.



Railroad

Motor Truck Scales

Options & Accessories

SIGHT RAIL	Color	Description
TS-SR-SP-8H-R TS-SR-SP-8H-SY	Red Yellow	Single 3.5" O.D. schedule 40 pipe bolted to weighbridge at factory. Price includes both sides of scale. 8" top of deck to top of pipe.
TS-SR-SP-12H-R TS-SR-SP-12H-SY	Red Yellow	Single 3.5" O.D. schedule 40 pipe bolted to weighbridge at factory. Price includes both sides of scale. 12" top of deck to top of pipe.
TS-SR-SP-24H-R TS-SR-SP-24H-SY	Red Yellow	Single 3.5" O.D. schedule 40 pipe bolted to weighbridge at factory. Price includes both sides of scale. 24" top of deck to top of pipe.
TS-SR-DP-24H-R TS-SR-DP-24H-SY	Red Yellow	DOUBLE 3.5" O.D. schedule 40 pipes bolted to weighbridge at factory. Price includes both sides of scale. 24" top of deck to top of pipe.



Motor Truck Scales



Options & Accessories

RISER	Height	Description
TS-RISER-2	2"	Load cell raised off base plate, increasing under scale clearance and overall scale height.
TS-RISER-4	4"	Riser fabricated into load cell base plate assembly at factory.
TS-RISER-6	6"	Priced per cell.
MAN HOLE	Size	Description
TS-MANHOLE	24" x 24"	Access manhole with cover plate for concrete or steel deck scales.
RUB RAIL	Color	Description
TS-RUB RAIL	Red	8" x 4" x 1/2" angle welded to top of weighbridge at factory. Price includes both sides of scale.
TS-GALVANIZED		Weighbridge and stands hot dip galvanized. Centurion fixture built weighbridge without manholes only.
TS-PAINT COLOR		Custom match any requested paint color for scale. Requires Pantone® or RAL color code for match.
TS-COAL TAR EPOXY		Epoxy paint for underside of scale weighbridge only. Provides a durable and enhanced corrosion protective coating for pit installed scales.
TS-DEALER DECAL		Vinyl Decal (white letters) with dealer name and phone number. Adhered to one side of scale module.
TS-PREWIRE		Centurion-DT or Hybrid-DT only. Load cell cables and ground straps installed at factory.
TS-WARR-10		Extended Warranty - Centurion-DT only. Standard 5-Year end-wall to end-wall warranty extended an additional 5-Years for a total warranty coverage period of 10 years.
DIGITAL INDICATOR UPGRADE		Upgrade from DD700 to any DD Series Indicator.

Part Number	Description
TS-GALV-STD-BASE	CT/HY GALVANIZED OPTION ADD - STD BUILD BASE PLATE (COST PER CELL)
TS-GALV-2" RISER-BASE	CT/HY GALVANIZED OPTION ADD - 2" RISER BASE PLATE (COST PER CELL)
TS-GALV-4" RISER-BASE	CT/HY GALVANIZED OPTION ADD - 4" RISER BASE PLATE (COST PER CELL)
TS-GALV-6" RISER-BASE	CT/HY GALVANIZED OPTION ADD - 6" RISER BASE PLATE (COST PER CELL)

NEW SCALE BUILDS

- Hot Dip Galvanized Centurion / Hybrid stands (base plates) only – scale weighbridge will be painted
- Adder to the cost of new build Centurion scale – Adder to the cost of riser stands
- Hot dip of PIT / SIDE RAIL / OFF-ROAD / Duratron stands should be case by case
- When quoting a complete galvanized scale – the stands are included in the galvanized cost

Example

CT-7211-DT (PAINTED SCALE) with requirement for 4" tall riser hot dipped galvanized

On the quote add the following:

- (1) CT-7211-DT
- (8) TS-RISER-4
- (8) TS-GALV-4" RISER-BASE

REPLACEMENT

- Hot dip of replacement stands should be case by case (they may be custom in some way so we may not be able to pull off shelf)
- Hot dip of PIT / SIDE RAIL / OFF-ROAD / Duratron should be case by case

Truck Acc.

Motor Truck Scales

Options and Accessories

CATWALK	Length	Description
TS-CATWALK-5	5'	Catwalk with handrail and kick-plate, 30" width - can be attached to sight rail on side of weighbridge with no ground contact or supplied legs for surface mounting.
TS-CATWALK-10	10'	
TS-CATWALK-15	15'	
TS-CATWALK-20	20'	
TS-CATWALK-25	25'	
TS-CATWALK-30+	30+'	Catwalk with handrail and kick-plate, 30" width - can be attached to sight rail on side of weighbridge with no ground contact or supplied legs for surface mounting. PRICED PER FOOT.

TS-CATWALK-STAIRS	Catwalk stairs with handrail and kick-plate, 30" width - can be attached to hanging catwalk with no ground contact or supplied legs for surface mounting. (4 step maximum)
-------------------	--



Truck Acc.

Motor Truck Scales



Options and Accessories

END-WALL COPING	Length	Description
TS-EWC-10-CT/HY	10'	End-Wall coping PAIR with integral bumper plates, 1/4" x 3" x 3" angle w/ nelson studs. Centurion & Hybrid foundations only.
TS-EWC-11-CT/HY	11'	
TS-EWC-12-CT/HY	12'	
TS-CHECKING PLATE-NS		6" x 6" single end-wall checking plate w/ nelson studs - for installation during new foundation end-wall pour.
TS-CHECKING PLATE-WL		6" x 6" single end-wall checking plate w/ corner holes - for lagging to existing end-wall with wedge anchors (not included).
TS-COPING-PIT WALL		1/4" x 3" x 3" angle with nelson studs - for use installing / replacing the perimeter (top) of a pit foundation, typically ships 10' & 20' lengths. PRICED PER FOOT.
TS-COPING-SCALE		6" C-Channel with nelson studs and 1/2" stone strip - for use replacing the 6" concrete deck of an existing Pit Type weighbridge, typically ships 10' & 20' lengths.
TS-DECK TIN		22-24 gage corrugated steel supplied in 132" x 38" sheets, approximately 45 lb per sheet For use with concrete deck Heavy Duty Side Rail and Pit Type. PRICE PER SHEET.
TS-DECK REBAR		#4 rebar supplied in 20' lengths (price per 20' piece), approximately 13.5 lb per piece For use with concrete deck Heavy Duty Side Rail and Pit Type.
TS-TIN/REBAR INSTALL		Factory installation of deck tin and rebar in concrete deck weighbridge For use with concrete deck Heavy Duty Side Rail and Pit Type. PRICE PER SQ/FT.
873-000004		Foundation Wedge Anchor - 3/4" x 7" zinc plated.
900-100000		T-Grip "Barbed" rubber belting gap cover. PRICE PER FOOT OR 143' FOR FULL ROLL.

Truck Acc.

Motor Truck Scales



Scale Replacement Parts

Part Number	Description
899-100000	CPD-M Digital Load Cell junction box, NEMA 4X stainless steel enclosure w/ 8-cell gathering card and breather vent.
200-60058	77K dummy load cell, column is solid steel and can be used to initially set / support any weighbridge that uses CPD-M or CPR-M 77K load cells.
200-61804	110K dummy load cell, column is solid steel and can be used to initially set / support any weighbridge that uses CPD-M or CPR-M 110K load cells.
200-61687	Poly block checking replacement kit with mild steel spacer plate, mild steel shims, nuts, bolts, washers - priced per each poly block.
200-61687-1	Poly block checking replacement kit with 304 stainless steel spacer plate, stainless steel shims, nuts, bolts, washers. PRICED PER EACH POLY BLOCK.
100-61586	Poly block checking replacement - poly block only. PRICED PER EACH POLY BLOCK.
100-62003	Poly block checking shim - 1/8" thick, mild steel, two slots.
100-62002	Poly block checking shim - 1/4" thick, mild steel, two slots.
100-62003-1	Poly block checking shim - 1/8" thick, 304 stainless steel, two slots.
100-62002-1	Poly block checking shim - 1/4" thick, 304 stainless steel, two slots.
CT-END-BASE	Centurion / Hybrid end-section base plate with checking tower, standard anchor hole positions, new style circle shim receiver.
CT-MID-BASE	Centurion / Hybrid middle-section base plate, standard anchor hole positions, new style circle shim receiver.
CT-END-BASE-RETRO	Centurion / Hybrid end-section base plate with checking tower, standard and extra anchor hole positions, new style circle shim receiver.
CT-MID-BASE-RETRO	Centurion / Hybrid middle-section base plate, standard and extra anchor hole positions, new style circle shim receiver.
CT-END-BASE-RECT	Centurion / Hybrid end-section base plate with checking tower, standard anchor hole positions, old style rectangle shim bolt holes.
CT-MID-BASE-RECT	Centurion / Hybrid middle-section base plate, standard anchor hole positions, old style rectangular shim bolt holes.
200-67492	Centurion / Hybrid end-section base plate with checking tower, standard and extra anchor hole positions, old style rectangle shim bolt holes.
400-200538	Centurion / Hybrid middle-section base plate, standard and extra anchor hole positions, old style rectangle shim bolt holes.
200-601257	CT/HY/EDR module connection bolt, nut, washer kit - two kits required per section.
200-60079	Copper buss bar with bolt, nut, washer kit.
100-60069	Centurion forged center deck panel clip.
SHCS.5-13X1.5-SS-18-8	CT center deck panel socket head cap screw SS - 1/2" - 13 x 1.5"
HCS.5-13X1.25-SS-18-8	CT/HY/EDR section cover plate hex bolt SS - 1/2" - 13 x 1.25"
USSFW.5-CS-GR8-ZN-Y	CT/HY/EDR section cover plate flat washer CS - 1/2"

Truck Acc.

Motor Truck Scales



Scale Replacement Parts

Part Number	Description
TS-SR-SP-8H-REPL	REPLACEMENT SIGHT RAIL: Single section of 8" tall single pipe bolt-on sight rail - lengths ranging from 8' to 11'-6" - red or safety yellow paint - specify scale S/N or MFG job number when placing order
TS-SR-SP-12H-REPL	REPLACEMENT SIGHT RAIL: Single section of 12" tall single pipe bolt-on sight rail - lengths ranging from 8' to 11'-6" - red or safety yellow paint - specify scale S/N or MFG job number when placing order
TS-SR-SP-24H-REPL	REPLACEMENT SIGHT RAIL: Single section of 24" tall single pipe bolt-on sight rail - lengths ranging from 8' to 11'-6" - red or safety yellow paint - specify scale S/N or MFG job number when placing order
TS-SR-DP-24H-REPL	REPLACEMENT SIGHT RAIL: Single section of 24" tall double pipe bolt-on sight rail - lengths ranging from 8' to 11'-6" - red or safety yellow paint - specify scale S/N or MFG job number when placing order
200-600615	CT SECTION COVER: Full width single piece end section cover plate 3/8"x19"x132"
200-600614	CT SECTION COVER: Full width single piece middle section cover plate 3/8"x10-5/8"x132"
200-601261	CT SECTION COVER: Full width single piece end section cover plate 1/2"x19"x132"
200-601262	CT SECTION COVER: Full width single piece middle section cover plate 1/2"x10-5/8"x132"
200-600617	CT SECTION COVER: Full width single piece end section cover plate 3/8"x19"x120"
200-600616	CT SECTION COVER: Full width single piece middle section cover plate 3/8"x10-5/8"x120"
200-601250	HY SECTION COVER: Full width single piece end section cover plate 1/4"x19"x132"
200-600923	HY SECTION COVER: Full width single piece middle section cover plate 1/4"x10-5/8"x132"
200-601122	CT 11' WIDE SCALE: Short end section cover plate 3/8"x19"x38"
200-601123	CT 11' WIDE SCALE: Long end section cover plate 3/8"x19"x56"
200-601255	CT 11' WIDE SCALE: Long middle section cover plate 3/8"x10-5/8"x75-13/16"
200-601256	CT 11' WIDE SCALE: Short middle section cover plate 3/8"x10-5/8"x56-3/16"
200-600789	CT 11' WIDE SCALE: Center trap door deck cover panel 3/8"x11-1/4"x89-1/4"
200-600298	CT COVER PLATE SUPPORT CHANNEL: End section (2-hole) w/weld nuts 15-5/16"
200-600299	CT COVER PLATE SUPPORT CHANNEL: Middle section (1-hole) w/weld nuts 5-3/4"

Truck Acc.

CPD-M and CPR-M Load Cells

Compression Column

B-TEK CPD-M Digital Compression Column

Digital, Stainless Steel Load Cell

Specifications

NTEP COC: 03-072

Full Scale Output: RS-485 Digital Output

Temperature:

Compensated 14°F to 104°F / -10°C to 40°C Operating -22°F to 158°F / -30°C to 70°C

Safe Overload: 150% Full scale

Rated Excitation: 10V DC (15V maximum)

Combined Error: 0.02% Full scale

Insulation Resistance: >5000 megohms

Housing Seal:

Hermetically sealed - IP68/69K

Connector Seal: Glass to metal seal - IP68

Cable Protection: Poly coated stainless steel braided sheath

Cable Length: Detachable cable lengths - 16 ft / 40 ft / 60 ft



Upper Receiver

B-TEK CPR-M Analog Compression Column

Analog, Stainless Steel Load Cell

Specifications

NTEP COC: 04-098A1

Full Scale Output: 2 mV/V

Temperature:

Compensated 14°F to 104°F / -10°C to 40°C Operating -22°F to 158°F / -30°C to 70°C

Safe Overload: 150% Full scale

Rated Excitation: 10V DC (18V maximum)

Combined Error: 0.02% Full scale

Insulation Resistance: >5000 megohms

Housing Seal: Hermetically sealed - IP68

Cable Protection: Poly coated stainless steel braided sheath

Cable Length: Integral - 60 ft



Load Cell



Debris Ring



Anti-Rotating Pin



Lower Receiver



Isolation Disc

Truck Acc.

CPD-M and CPR-M Load Cells



Compression Column

Part Number	Description
899-500012	B-TEK CPD-M Digital Load Cell - 44K
899-500000	B-TEK CPD-M Digital Load Cell - 77K
899-500002	B-TEK CPD-M Digital Load Cell - 110K
899-500013	B-TEK CPR-M Analog Load Cell - 44K
899-500004	B-TEK CPR-M Analog Load Cell - 77K
899-500003	B-TEK CPR-M Analog Load Cell - 110K
Load Cell Cables	
899-100004	16' Poly Coated Stainless Sheathed CPD-M Cable
899-100003	40' Poly Coated Stainless Sheathed CPD-M Cable
899-100002	60' Poly Coated Stainless Sheathed CPD-M Cable
899-100126	100" Poly Coated Stainless Sheathed CPD-M Cable
Parts	
899-100035	CPD / CPR 77K Complete Mounting Parts Kit - Rectangle Shim
899-100160	CPD / CPR 77K Complete Mounting Parts Kit - Round Shim
899-100029	CPD / CPR Copper "Y" Ground Strap
899-100020	CPD / CPR 77K Upper Receiver Mount
899-100021	CPD / CPR 77K & 110K Foam Debris Ring
899-100022	CPD / CPR 77K Lower Receiver Mount
899-100023	CPD / CPR 77K Isolation Disc
899-100040	CPD / CPR 77K Centering Plate
100-61071	CPD / CPR Rectangular Galvanized Shim Plate - 1/8" Thick
100-66458-2	CPD / CPR 4.75" Round Galvanized Shim Plate - 1/16" Thick
100-66458	CPD / CPR 4.75" Round Galvanized Shim Plate - 1/8" Thick
899-100025	CPD / CPR Anti-Rotation Pin (M6 x 30)
899-100046	CPD / CPR Anti-Rotation Pin (3/8" x 1-1/2")
899-100050	CPD / CPR Anti-Rotation Pin (8mm x 30 mm)
Parts	
899-100036	CPD / CPR 110K Complete Mounting Parts Kit - Rectangle Shim
899-100029	CPD / CPR Copper "Y" Ground Strap
899-100042	CPD / CPR 110K Upper Receiver Mount
899-100021	CPD / CPR 77K & 110K Foam Debris Ring
899-100043	CPD / CPR 110K Lower Receiver Mount
899-100039	CPD / CPR 110K Isolation Disc
899-100041	CPD / CPR 110K Centering Plate
100-61071	CPD / CPR Rectangular Galvanized Shim Plate - 1/8" Thick
899-100025	CPD / CPR Anti-Rotation Pin (M6 x 30)
899-100046	CPD / CPR Anti-Rotation Pin (3/8" x 1-1/2")
899-100050	CPD / CPR Anti-Rotation Pin (8mm x 30 mm)
CPD-M / CPR-M Cell Tools	
899-100026	CPD-M & CPR Load Cell Leveling Tool
899-100017	CPD-M Digital Load Cell Simulator Box
200-60058	CPD / CPR 77K Dummy Cell
200-61804	CPD / CPR 110K Dummy Cell

Truck Acc.

Junction Box Conversion Kit



DILINK Digital System Analog Load Cell - Digital Conversion Kit

GENERAL SPECIFICATIONS

- Stainless steel environmentally sealed housing
- Converts any analog load cell to digital
- Provides long term measurement stability
- Provides transient protection
- 8-Cell analog to digital conversion in single DILINK box
- Multiple DILINK boxes can be connected
- Replaces conventional junction box / summing card
- Scale adjustments made at indicator
- RS-485 communication output eliminates interference
- Connects to any B-TEK digital indicator
- Simplifies scale calibration
- Individual cell readings can be viewed



Truck Acc.

Part Number	Description
899-260000	8-Cell DILINK Conversion Kit (1) DILINK Analog to Digital Converter (1) DD 700 ABS digital desktop indicator (1) 50' homerun cable with integral DB15 connector (1) RS-232 port surge protection device (1) RS-422 port surge protection device (1) Tripp Lite Isobar Ultra 4-Outlet line transient protection device
899-260001	10 to12-Cell DILINK Conversion Kit (2) DILINK Analog to Digital Converter (1) DD 700 ABS digital desktop indicator (1) 50' homerun cable with integral DB15 connector (1) 70' interconnect cable between DILINK boxes (1) RS-232 port surge protection device (1) RS-422 port surge protection device (1) Tripp Lite Isobar Ultra 4-Outlet line transient protection device

Parts

899-100028	DILINK Analog to Digital Converter
------------	------------------------------------

Optional Indicators

DD 700ic stainless digital indicator

Junction Box Conversion Kit

DILINK Digital System
Analog Load Cell - Digital Conversion Kit

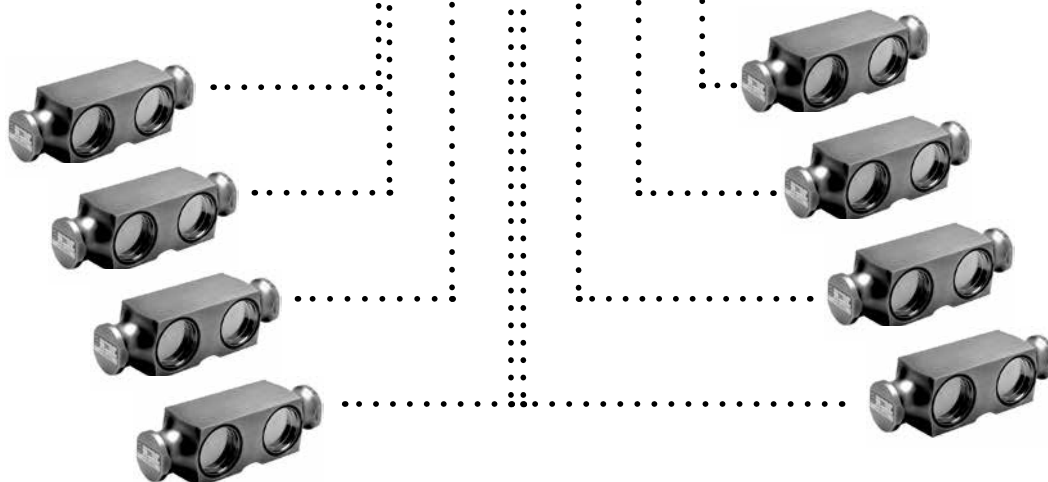
B-TEK DD700 Digital Indicator



RS-485



DILINK Digital Conversion Box



Truck Acc.

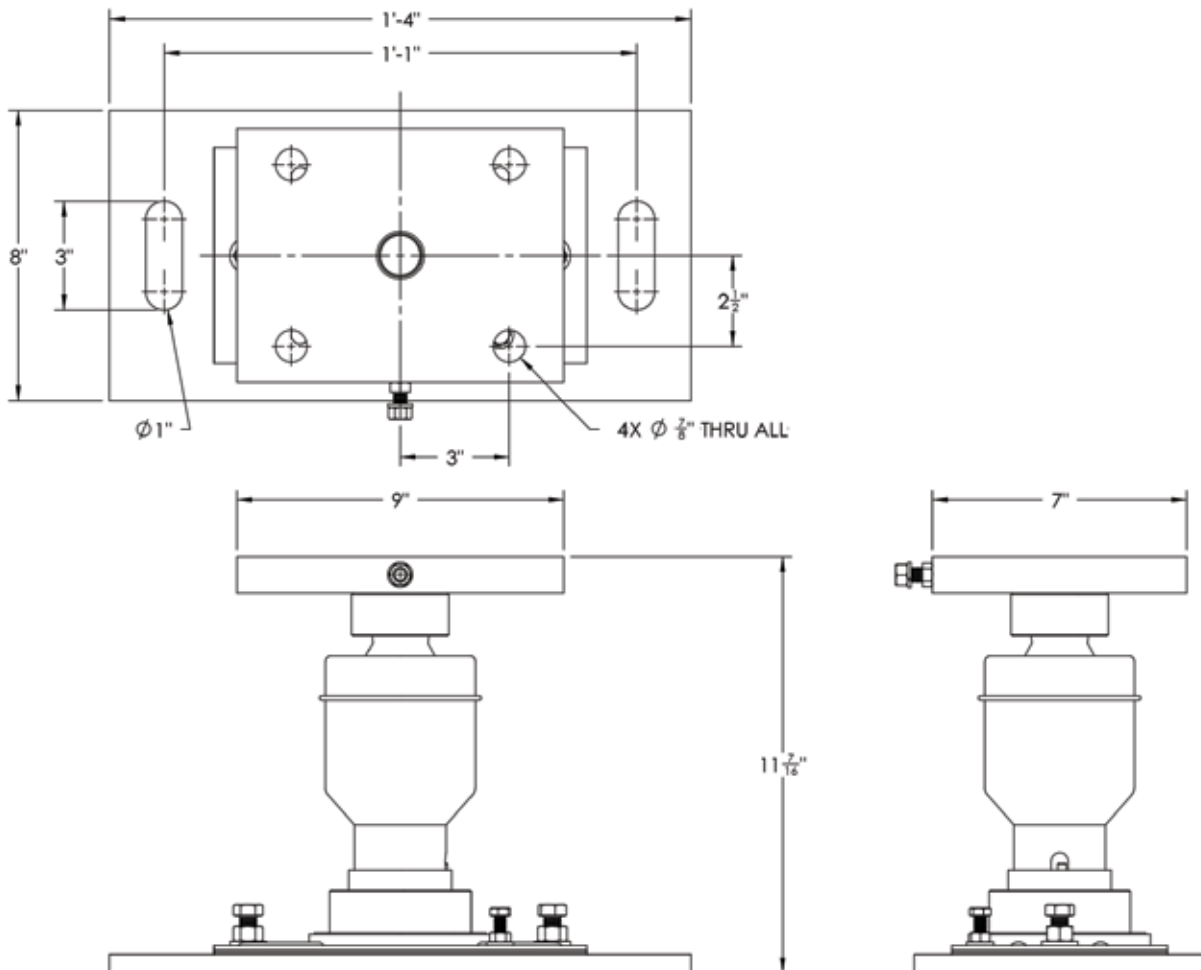
Load Cell Conversion Kit

Primary Digital Systems (PDS) Digital Cell - MTS Conversion Kit

GENERAL SPECIFICATIONS

- Certificate of Conformance: 03-072 (CPD-M Load Cell)
- Cell Capacity: 77K lb
- Load Cell: CPD-M digital rocker column load cell
Stainless steel hermetically sealed (IP68/69K) construction
- Load Cell Cable: Stainless sheathed cable with clear polymer protective coating & water-tight connectors
- Junction Box: Stainless NEMA 4X enclosure with internal toolless cable connectors
- Surge Protection: CPD-M digital load cells along with digital indicator protect against lightning
Surge protection enhanced by Tripp Lite Isobar Ultra 4-outlet surge protection device
- Warranty: 5-Year parts only replacement warranty against general failure or lightning damage on CPD-M load cells
2-Year parts only replacement warranty against general failure on indicator, junction box and load cell cables
- Indicator: *Supplied with a DD 700 ABS desktop digital indicator*

Truck Acc.



Load Cell Conversion Kit



Primary Digital Systems (PDS) Digital Cell - MTS Conversion Kit

Part Number	Description
899-200004	<p>4-Cell Primary Digital System Conversion Kit</p> <p>(4) CPD-M Digital load cells with top and bottom mounting plates (4) 40' stainless sheathed load cell cable with poly coating (1) Stainless steel junction box (1) DD 700 ABS Desk-Top Digital Indicator (1) Grounding / surge voltage kit including LC ground straps, Tripp Lite Isobar Ultra 4-outlet surge protection device, #6 ground wire, ring lugs, clamps, bolts and ground bus bar **</p>
899-200006	<p>6-Cell Primary Digital System Conversion Kit</p> <p>(6) CPD-M Digital load cells with top and bottom mounting plates (4) 40' stainless sheathed load cell cable with poly coating (2) 16' stainless sheathed load cell cable with poly coating (1) Stainless steel junction box (1) DD 700 ABS Desk-Top Digital Indicator (1) Grounding / surge voltage kit including LC ground straps, Tripp Lite Isobar Ultra 4-outlet surge protection device, #6 ground wire, ring lugs, clamps, bolts and ground bus bar **</p>
899-200008	<p>8-Cell Primary Digital System Conversion Kit</p> <p>(8) CPD-M Digital load cells with top and bottom mounting plates (2) 60' stainless sheathed load cell cable with poly coating (4) 40' stainless sheathed load cell cable with poly coating (2) 16' stainless sheathed load cell cable with poly coating (1) Stainless steel junction box (1) DD 700 ABS Desk-Top Digital Indicator (1) Grounding / surge voltage kit including LC ground straps, Tripp Lite Isobar Ultra 4-outlet surge protection device, #6 ground wire, ring lugs, clamps, bolts and ground bus bar **</p>
899-200010	<p>10-Cell Primary Digital System Conversion Kit</p> <p>(10) CPD-M Digital load cells with top and bottom mounting plates (4) 60' stainless sheathed load cell cable with poly coating (4) 40' stainless sheathed load cell cable with poly coating (2) 16' stainless sheathed load cell cable with poly coating (2) Stainless steel junction box (1) DD 700 ABS Desk-Top Digital Indicator (1) Grounding / surge voltage kit including LC ground straps, Tripp Lite Isobar Ultra 4-outlet surge protection device, #6 ground wire, ring lugs, clamps, bolts and ground bus bar **</p>

**** (1) 8 ft copper ground rods are required (not supplied) for proper installation**

Rocker column load cells require end wall and side-to-side checking system

Check with local Weight & Measures department to insure weighbridge conversion will meet NTEP requirements.

DIGITAL INDICATOR UPGRADE	Upgrade from DD700 to any DD Series Indicator.
----------------------------------	--

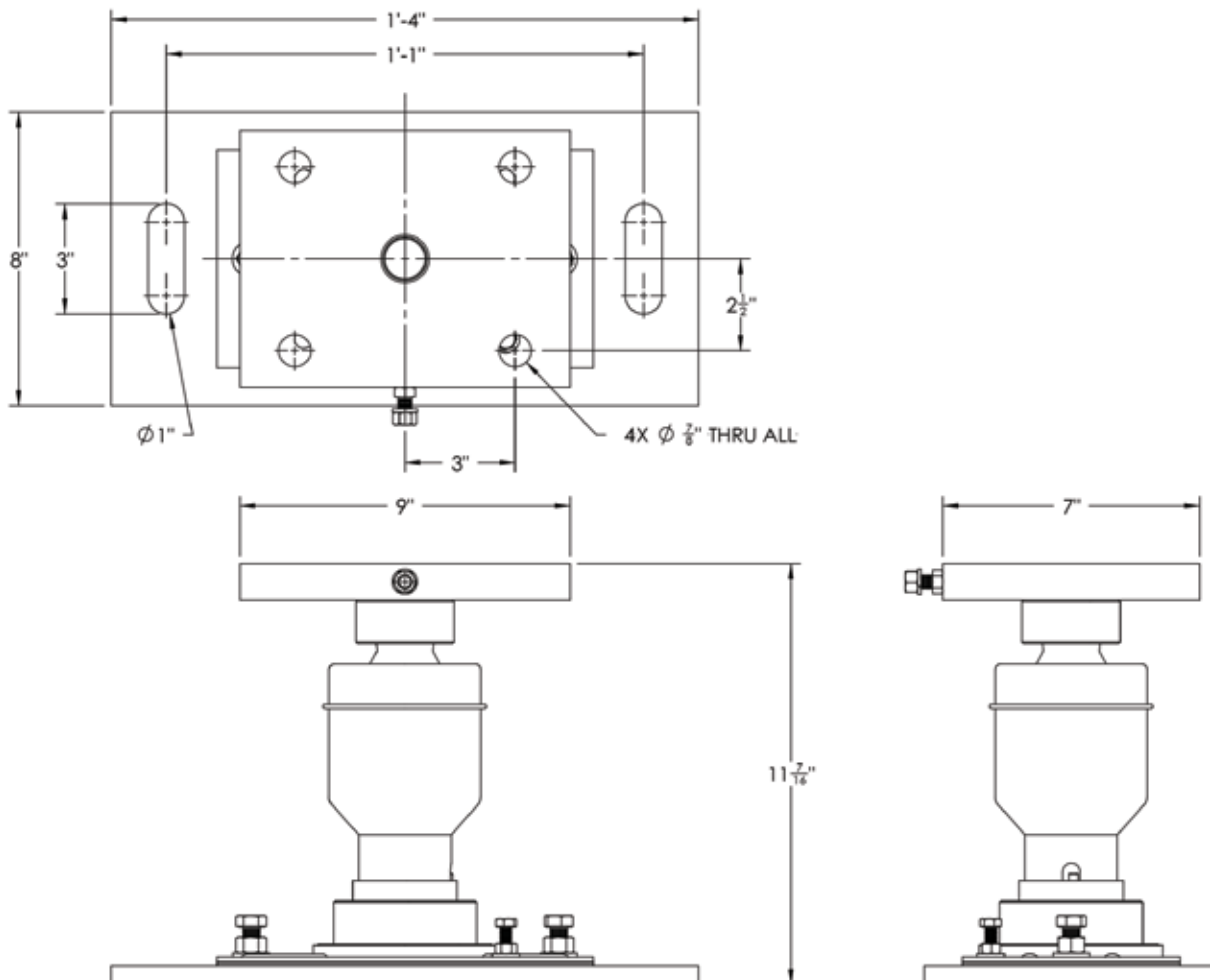
Truck Acc.

Load Cell Conversion Kit

Primary Analog Systems (PAS) Analog Cell - MTS Conversion Kit

GENERAL SPECIFICATIONS

- Certificate of Conformance: 04-098A1 (CPR-M Load Cell)
- Cell Capacity: 77K lb
- Load Cell: CPR-M analog rocker column load cell
Stainless steel environmentally sealed (IP68) construction
- Load Cell Cable: Stainless sheathed cable with clear polymer protective coating - 60' length
- Junction Box: NEMA 4X/6P UV resistant polycarbonate enclosure(s) and B-TEK 4-cell summing board with GDT surge protection
- Surge Protection: CPM-M analog load cell isolation disc and bypass ground straps protect against lightning
Surge protection enhanced by Tripp Lite Isobar Ultra 4-outlet surge protection device
- Warranty: 2-Year parts only replacement warranty against general failure or lightning damage on CPR-M load cells
- Indicator: *Not included with analog cell version*



Load Cell Conversion Kit



Primary Analog Systems (PAS) Analog Cell - MTS Conversion Kit

Part Number	Description
899-250004	4-Cell Primary Analog System Conversion Kit (4) CPR-M analog cells with top and bottom mounting plates (1) NEMA 4X FRP enclosure and B-TEK 4-cell summing board with GDT surge protection (1) Grounding / surge voltage kit including LC ground straps, Tripp Lite Isobar Ultra 4-outlet surge protection device, #6 ground wire, ring lugs, clamps, bolts and ground bus bar **
899-250006	6-Cell Primary Analog System Conversion Kit (6) CPR-M analog cells with top and bottom mounting plates (2) NEMA 4X FRP enclosure and B-TEK 4-cell summing board with GDT surge protection (1) Grounding / surge voltage kit including LC ground straps, Tripp Lite Isobar Ultra 4-outlet surge protection device, #6 ground wire, ring lugs, clamps, bolts and ground bus bar **
899-250005	8-Cell Primary Analog System Conversion Kit (8) CPR-M analog cells with top and bottom mounting plates (2) NEMA 4X FRP enclosure and B-TEK 4-cell summing board with GDT surge protection (1) Grounding / surge voltage kit including LC ground straps, Tripp Lite Isobar Ultra 4-outlet surge protection device, #6 ground wire, ring lugs, clamps, bolts and ground bus bar **
899-250007	10-Cell Primary Analog System Conversion Kit (10) CPR-M analog cells with top and bottom mounting plates (3) NEMA 4X FRP enclosure and B-TEK 4-cell summing board with GDT surge protection (1) Grounding / surge voltage kit including LC ground straps, Tripp Lite Isobar Ultra 4-outlet surge protection device, #6 ground wire, ring lugs, clamps, bolts and ground bus bar **

**** (1) 8 ft copper ground rods are required (not supplied) for proper installation**

Rocker column load cells require end wall and side-to-side checking system

Check with local Weight & Measures department to insure weighbridge conversion will meet NTEP requirements.

Optional Indicators	Any Analog DD Series Indicator
---------------------	--------------------------------

Truck Acc.

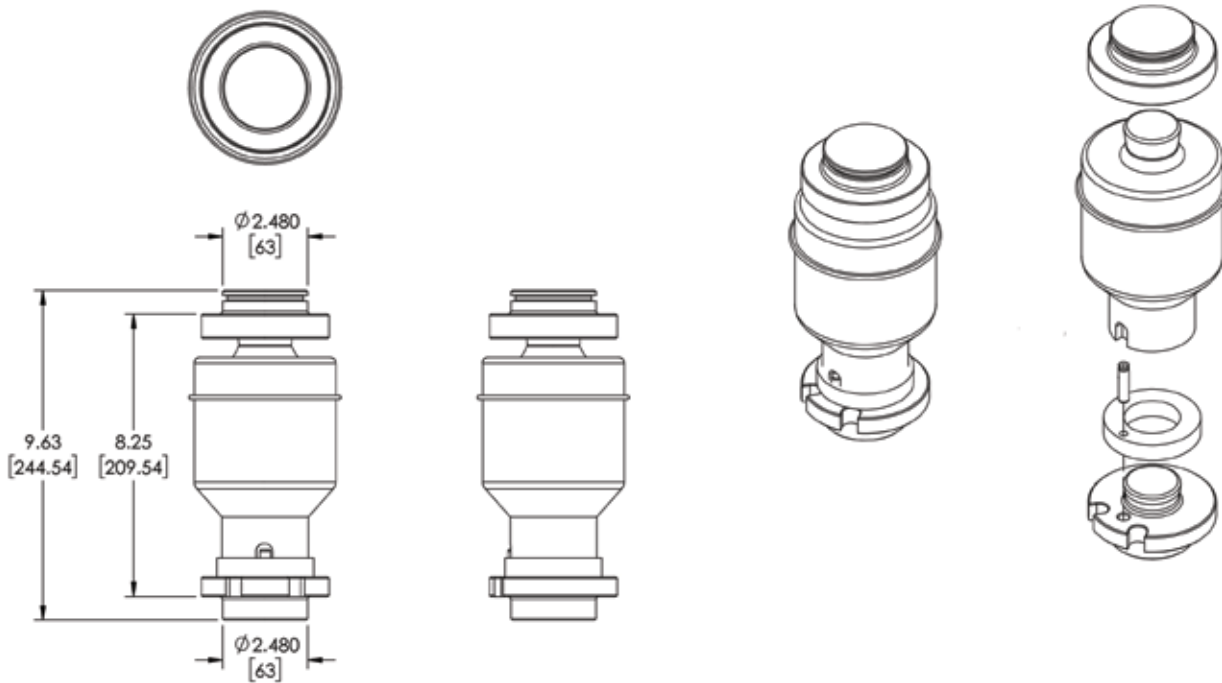
Load Cell Conversion Kits

Primary Digital Systems (PDS)

Digital Cell - Mettler Toledo™ Digital Conversion Kit

GENERAL SPECIFICATIONS

- Certificate of Conformance: 03-072 (CPD-M Load Cell)
- Cell Capacity: 77K lb
- Load Cell: CPD-M digital rocker column load cell
Stainless steel hermetically sealed (IP68/69K) construction
- Load Cell Cable: Stainless sheathed cable with clear polymer protective coating & water-tight connectors
- Junction Box: Stainless NEMA 4X enclosure with internal toolless cable connectors
- Surge Protection: CPD-M digital load cells along with digital indicator protect against lightning
Surge protection enhanced by Tripp Lite Isobar Ultra 4-outlet surge protection device
- Warranty: 2-Year parts only replacement warranty against general failure or lightning damage on CPD-M load cells
2-Year parts only replacement warranty against general failure on indicator, junction box and load cell cables
- Indicator: *Supplied with a DD 700 ABS desk-top digital indicator*



Truck Acc.

Load Cell Conversion Kits



Primary Digital Systems (PDS) Digital Cell - Mettler Toledo™ Digitol Conversion Kit

Part Number	Description
899-220004	<p>4-Cell Primary Digital System - MT Digitol® Conversion Kit</p> <ul style="list-style-type: none"> (4) CPD-M Digital load cells with MT upper and lower receiver mounts (4) 40' stainless sheathed load cell cable with poly coating (1) Stainless steel junction box (1) DD 700 ABS Desk-Top Digital Indicator (1) Grounding / surge voltage kit
899-220006	<p>6-Cell Primary Digital System - MT Digitol® Conversion Kit</p> <ul style="list-style-type: none"> (6) CPD-M Digital load cells with MT upper and lower receiver mounts (4) 40' stainless sheathed load cell cable with poly coating (2) 16' stainless sheathed load cell cable with poly coating (1) Stainless steel junction box (1) DD 700 ABS Desk-Top Digital Indicator (1) Grounding / surge voltage kit
899-220008	<p>8-Cell Primary Digital System - MT Digitol® Conversion Kit</p> <ul style="list-style-type: none"> (8) CPD-M Digital load cells with MT upper and lower receiver mounts (2) 60' stainless sheathed load cell cable with poly coating (4) 40' stainless sheathed load cell cable with poly coating (2) 16' stainless sheathed load cell cable with poly coating (1) Stainless steel junction box (1) DD 700 ABS Desk-Top Digital Indicator (1) Grounding / surge voltage kit
899-220010	<p>10-Cell Primary Digital System - MT Digitol® Conversion Kit</p> <ul style="list-style-type: none"> (10) CPD-M Digital load cells with MT upper and lower receiver mounts (4) 60' stainless sheathed load cell cable with poly coating (4) 40' stainless sheathed load cell cable with poly coating (2) 16' stainless sheathed load cell cable with poly coating (2) Stainless steel junction box (1) DD 700 ABS Desk-Top Digital Indicator (1) Grounding / surge voltage kit
899-220012	<p>12-Cell Primary Digital System - MT Digitol® Conversion Kit</p> <ul style="list-style-type: none"> (12) CPD-M Digital load cells with MT upper and lower receiver mounts (2) 60' stainless sheathed load cell cable with poly coating (6) 40' stainless sheathed load cell cable with poly coating (4) 16' stainless sheathed load cell cable with poly coating (2) Stainless steel junction box (1) DD 700 ABS Desk-Top Digital Indicator (1) Grounding / surge voltage kit
DIGITAL INDICATOR UPGRADE	Upgrade from DD700 to any DD Series Indicator.

Truck Acc.

Check with local Weight & Measures department to insure weighbridge conversion will meet NTEP requirements.

Load Cell Conversion Kits



Primary Analog Systems (PAS) Analog Cell - Mettler Toledo™ Digital Conversion Kit

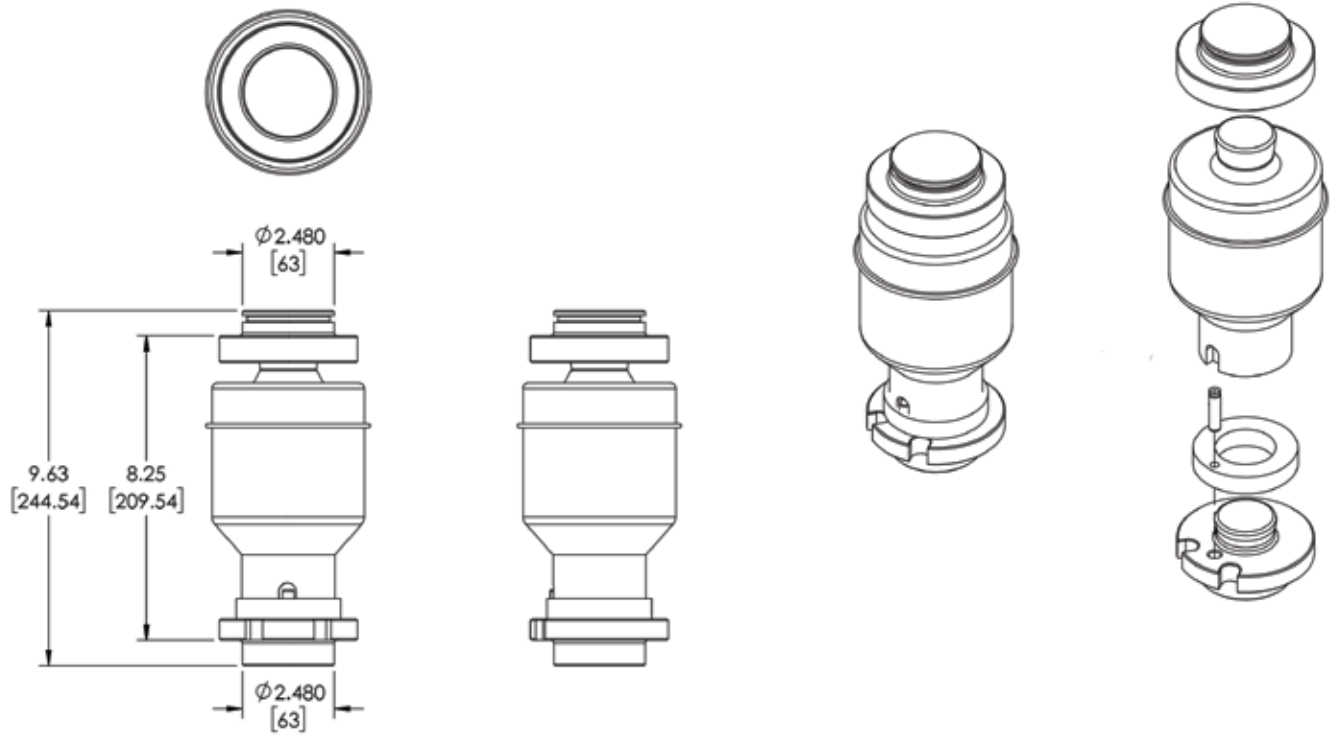
GENERAL SPECIFICATIONS

- Certificate of Conformance: 04-098A1 (CPR-M Load Cell)
- Cell Capacity: 70K lb
- Load Cell: CPR-M analog rocker column load cell
Stainless steel environmentally sealed (IP68) construction
- Load Cell Cable: Stainless sheathed cable with clear polymer protective coating - 60' length
- Junction Box: NEMA 4X/6P UV resistant polycarbonate enclosure(s) and B-TEK 4-cell summing board with GDT surge protection
- Surge Protection: CPM-M analog load cell isolation disc and bypass ground straps protect against lightning
Surge protection enhanced by Tripp Lite Isobar Ultra 4-outlet surge protection device
- Warranty: 2-Year parts only replacement warranty against general failure or lightning damage on CPR-M load cells
- Indicator: *Not included with analog cell version*

Part Number	Description
899-270004	4-Cell Primary Analog System - MT Digital® Conversion Kit (4) CPR-M analog cells with MT upper and lower receiver mounts (1) NEMA 4X FRP enclosure and B-TEK 4-cell summing board with GDT surge protection (1) Grounding / surge voltage kit
899-270006	6-Cell Primary Analog System - MT Digital® Conversion Kit (6) CPR-M analog cells with MT upper and lower receiver mounts (2) NEMA 4X FRP enclosure and B-TEK 4-cell summing board with GDT surge protection (1) Grounding / surge voltage kit
899-270005	8-Cell Primary Analog System - MT Digital® Conversion Kit (8) CPR-M analog cells with MT upper and lower receiver mounts (2) NEMA 4X FRP enclosure and B-TEK 4-cell summing board with GDT surge protection (1) Grounding / surge voltage kit
899-270007	10-Cell Primary Analog System - MT Digital® Conversion Kit (10) CPR-M analog cells with MT upper and lower receiver mounts (3) NEMA 4X FRP enclosure and B-TEK 4-cell summing board with GDT surge protection (1) Grounding / surge voltage kit
Optional Indicators	Any Analog DD Series Indicator

Check with local Weight & Measures department to insure weighbridge conversion will meet NTEP requirements.

Truck Acc.



Truck Acc.

Colossus Digital Hi-Impact / Coil



Digital Hi-Impact / Coil Scale



GENERAL SPECIFICATIONS

- Certificate of Conformance: 97-132A1
- Type: Extreme duty
- Scale Capacity: 20K - 120K lbs.
- Scale Height: 29"
- Available Sizes: 5' x 5' & 6" x 6" - NTEP Sizes Available: 5' x 5' to 10' x 20'
- Weighbridge Deck: 1/2" smooth plate
- Protective Frame: Very heavy duty channel frame protects the scale from side impacts
Scale is fully self-contained and can be located on any smooth flat surface
Frame has (4) lifting points and viewing ports to load cells for easy serviceability
- Load Cell Protection: Shock absorbing polymer blocks set between weighbridge and load cells
- Steel Preparation: Commercial blast cleaning SSPC-SP6
- Paint System: Cross-linked two-part epoxy primer followed by two-part polyurethane top coat
- Load Cell: 77K CPD-M DIGITAL compression column load cell
- Junction Box: NEMA 4X stainless steel
- Indicator: DD700i indicator included with package
- Warranty: 3-Year weighbridge warranty covering defects in materials and workmanship
2-Year components warranty covering defects in materials and workmanship

Impact/Coil



72" x 72" Colossus

Colossus Digital Hi-Impact / Coil



Digital Hi-Impact / Coil Scale

Part Number	Model Number	Length	Width	Capacity
920-1100	COL-6060-40-HI-DT 40K lb	5'	5'	40K
920-1101	COL-7272-40-HI-DT 40K lb	6'	6'	40K
920-1102	COL-6060-60-HI-DT 60K lb	5'	5'	60K
920-1103	COL-7272-60-HI-DT 60K lb	6'	6'	60K
920-1104	COL-6060-80-HI-DT 80K lb	5'	5'	80K
920-1105	COL-7272-80-HI-DT 80K lb	6'	6'	80K

DT = CPD-M DIGITAL LOAD CELLS - INCLUDES DD700i DIGITAL INDICATOR

Options

V-DECK coil positioning option bolted to top of deck

NTEP

CAPACITY	emin	nmax
20K	10	2,000
30K	10	3,000
40K	10	4,000
50K	10	5,000
60K	10	6,000
70K	20	3,500
80K	20	4,000
90K	20	4,500
100K	20	5,000
110K	20	5,500
120K	20	6,000

Impact/Coil

Hi-Impact / Coil

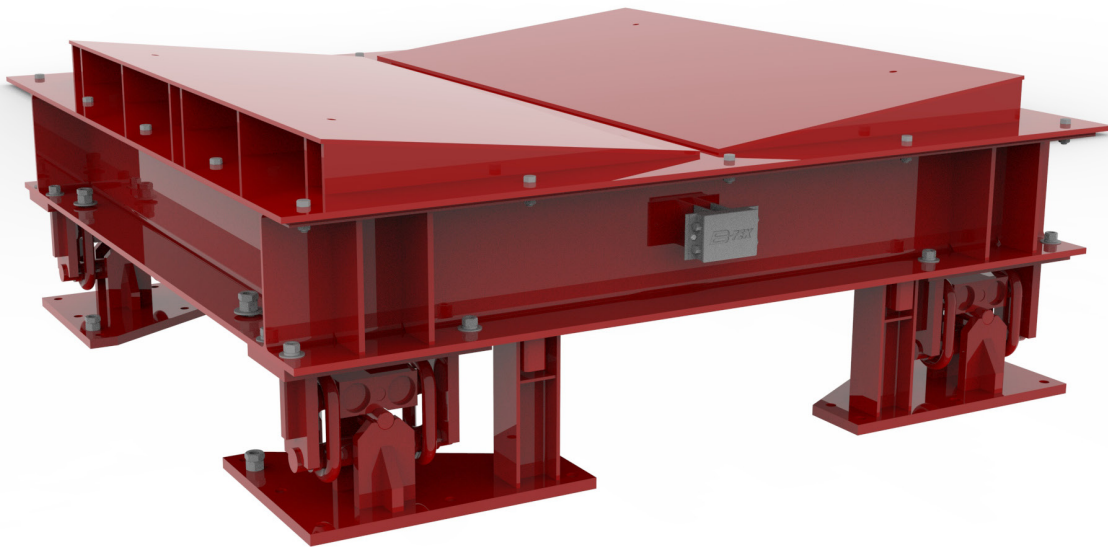
Hi-Impact / Coil Scale



GENERAL SPECIFICATIONS

- Certificate of Conformance: 97-132A1
- Type: Above ground or pit
- Scale Capacity: 20K - 120K lb
- Scale Height: 24" - 36" based on platform size and capacity
- Available Sizes: 4' x 6' (24 sq/ft) - 10' x 20' (200 sq/ft)
- Weighbridge Deck: 1/2" smooth plate **bolted** to weighbridge WF beam structure
- Steel Preparation: Commercial blast cleaning SSPC-SP6
- Paint System: Cross-linked two-part epoxy primer followed by two-part polyurethane top coat
- Load Cell: 25K - 100K double ended shear beam—parallel link suspension system
- Junction Box: NEMA 4X stainless steel enclosure and B-TEK 4-cell summing board
- Warranty: 3-Year weighbridge warranty covering defects in materials and workmanship
2-Year components warranty covering defects in materials and workmanship

Impact/Coil



60" x 60" HI-IMPACT / Coil Scale
V-Deck Option Shown

Hi-Impact / Coil

BT-HI Series - Hi-Impact / Coil Scale

Part Number	Model Number	Length	Width	Capacity
920-1000	BT-6060-40-FE-HI	5'	5'	40K
920-1001	BT-6072-40-FE-HI	5'	6'	40K
920-1002	BT-7272-40-FE-HI	6'	6'	40K
920-1003	BT-6060-60-FE-HI	5'	5'	60K
920-1004	BT-6072-60-FE-HI	5'	6'	60K
920-1005	BT-7272-60-FE-HI	6'	6'	60K
920-1006	BT-7272-80-FE-HI	6'	6'	80K
920-1007	BT-7284-80-FE-HI	6'	7'	80K
920-1008	BT-8484-80-FE-HI	7'	7'	80K
920-1009	BT-96120-80-FE-HI	8'	10'	80K
920-1010	BT-120120-80-FE-HI	10'	10'	80K
920-1011	BT-8484-120-FE-HI	7'	7'	120K
920-1012	BT-8496-120-FE-HI	7'	8'	120K
920-1013	BT-9696-120-FE-HI	8'	8'	120K
920-1014	BT-96120-120-FE-HI	8'	10'	120K
920-1015	BT-120120-120-FE-HI	10'	10'	120K

Options

V-DECK coil positioning option welded to top deck plate

Portability / Protective Frame

Fabreeka shock isolation pads (set of 4) - all sizes and capacities



60" x 60" HI-IMPACT / Coil Scale
 (Optional) Portability / Protective Frame
 Bolted Deck Plate

CAPACITY	NTEP	
	emin	nmax
20K	5	4,000.00
30K	5	6,000.00
40K	10	4,000.00
50K	10	5,000.00
60K	10	6,000.00
70K	20	3,500.00
80K	20	4,000.00
90K	20	4,500.00
100K	20	5,000.00
110K	20	5,500.00
120K	20	6,000.00

Impact/Coil

DD Indicators

DD 700



STANDARD FEATURES

- Desktop mount molded ABS plastic enclosure
- High visibility backlit LCD full graphic display
- Membrane keypad with 18-keys
- Text-based configuration menus
- Extensive built-in diagnostic screens
- Time and date
- Hot keys for frequent functions
- Export transaction data to USB flash memory
- (2) "Plug & Play" option card slots
- (1) USB host (Type A) port
- (1) USB serial (Type B) port
- (2) isolated dry contact inputs
- (2) relay outputs (24 V(AC/DC) @ 190mA)
- (1) RS-232 serial port
- (1) RS-232 / RS-422 / RS-485 configurable port
- Six built-in language choices
- NTEP COC: 15-113
- CANADA: AM-6012



TECHNICAL FEATURES

Power Supply Input / Output	110-240VAC / 50-60HZ input / 12VDC output / external desktop unit
Maximum Power	60 watt
Weight Repeater	Yes, via parameter configuration, analog or digital scale
Analog Scales (AS)	One analog scale input standard / two analog scales (multiplexing)
Max Load Cells (AS)	(12) 350 Ohm cells or (24) 700 Ohm cells
Minimum Impedance (AS)	29 Ohm
Load Cell Power Supply (AS)	5 VDC
Internal Resolution (AS)	1,000,000 points @ 10Hz
Maximum Input (AS)	30 mV
Sensitivity (AS)	0.5 μ V / division
Digital Scales (DS)	One digital scale input standard
Max Load Cells (DS)	(12) CPD-M digital load cells
Load Cell Power Supply (DS)	10-15 VDC
Internal Resolution (DS)	200,000 points @ 25Hz
Case Protection / Terminations	IP20 / exposed terminal connections on rear of enclosure
Standard Software	Single weighing / Double weighing (truck in/out)
Optional Software	Counting scale
Optional USB Keyboard	Computer QWERTY keyboard can connect to USB port
Option Card	DD 700 Ethernet TCP/IP Option Card
Option Card	DD 700 Single Serial RS-232 / RS-422 / RS-485 Option Card
Option Card	DD 700 4-Input / 4-Output Option Card
Option Card	DD 700 MPP Memory Option Card
Option Card	DD 700 Ethernet IP Option Card
Option Card	DD 700 Profibus DP Option Card
Option Card	DD 700 Analog Output 0-10VDC / 4-20mA Option Card

DD Indicators

DD 700

Part Number	Description
899-100131	DD 700 Indicator - Desktop, ABS Case, <u>DIGITAL</u> Scale Input
899-100130	DD 700 Indicator - Desktop, ABS Case, <u>ANALOG</u> Scale Input

Part Number	Options
899-100143	DD 700 Ethernet TCP/IP Option Card
899-100138	DD 700 Single Serial RS-232 / RS-422 / RS-485 Option Card
899-100137	DD 700 4-Input / 4-Output Option Card
899-100142	DD 700 MPP Memory Option Card
899-100140	DD 700 Ethernet IP Option Card
899-100139	DD 700 Profibus DP Option Card
899-100141	DD 700 Analog Output 0-10VDC / 4-20mA Option Card
899-100159	DD 700 USB Wired Keyboard

Part Number	Parts
899-100151	DD 700 / 700i / 700ic Main CPU Board
899-100148	DD 700 Enclosure Upper Cover w/ Keypad
899-100149	DD 700 / 700i / 700ic LCD Display Board
899-100095	DD 1050 / DD 700 / 700ic External Desktop Power Supply
899-100147	DD 700 Enclosure Lower Assembly
899-100152	DD 700 / 700i / 700ic <u>DIGITAL</u> Scale Input Module w/ Connector
899-100150	DD 700 / 700i / 700ic Display Board Connector
899-100154	DD 700 / 700i / 700ic Second Analog Scale Input Connector
899-100153	DD 700 / 700i / 700ic Built-in Main Board I/O Module

DD Indicators

DD 700ic



STANDARD FEATURES

- Swivel bracket / stainless steel enclosure
- High visibility backlit LCD full graphic display
- Membrane keypad with 18-keys
- Text-based configuration menus
- Extensive built-in diagnostic screens
- Time and date
- Hot keys for frequent functions
- Export transaction data to USB flash memory
- (2) "Plug & Play" option card slots
- (1) USB host (Type A) port
- (1) USB serial (Type B) port
- (2) isolated dry contact inputs
- (2) relay outputs (24 V(AC/DC) @ 190mA)
- (1) RS-232 serial port
- (1) RS-232 / RS-422 / RS-485 configurable port
- Six built-in language choices
- NTEP COC: 15-113
- CANADA: AM-6012



TECHNICAL FEATURES

Power Supply Input / Output	110-240 VAC / 50-60 HZ input / 12 VDC output / external desktop unit
Maximum Power	60 watt
Weight Repeater	Yes, via parameter configuration, analog or digital scale
Analog Scales (AS)	One analog scale input standard / two analog scales (multiplexing)
Max Load Cells (AS)	(12) 350 Ohm cells or (24) 700 Ohm cells
Minimum Impedance (AS)	29 Ohm
Load Cell Power Supply (AS)	5 VDC
Internal Resolution (AS)	1,000,000 points @ 10Hz
Maximum Input (AS)	30 mV
Sensitivity (AS)	0.5 μ V / division
Digital Scales (DS)	One digital scale input standard
Max Load Cells (DS)	(12) CPD-M digital load cells
Load Cell Power Supply (DS)	10-15 VDC
Internal Resolution (DS)	200,000 points @ 25 Hz
Case Protection / Terminations	IP20 / exposed terminal connections on bottom of enclosure
Standard Software	Single weighing / Double weighing (truck in/out)
Optional Software	Counting scale
Optional USB Keyboard	Computer QWERTY keyboard can connect to USB port
Option Card	DD 700 Ethernet TCP/IP Option Card
Option Card	DD 700 Single Serial RS-232 / RS-422 / RS-485 Option Card
Option Card	DD 700 4-Input / 4-Output Option Card
Option Card	DD 700 MPP Memory Option Card
Option Card	DD 700 Ethernet IP Option Card
Option Card	DD 700 Profibus DP Option Card
Option Card	DD 700 Analog Output 0-10 VDC / 4-20 mA Option Card

DD Indicators

DD 700ic

Part Number	Description
899-100135	DD 700ic Indicator - Stainless Case, <u>DIGITAL</u> Scale Input
899-100134	DD 700ic Indicator - Stainless Case, <u>ANALOG</u> Scale Input

Part Number	Options
899-100143	DD 700 Ethernet TCP/IP Option Card
899-100138	DD 700 Single Serial RS-232 / RS-422 / RS-485 Option Card
899-100137	DD 700 4-Input / 4-Output Option Card
899-100142	DD 700 MPP Memory Option Card
899-100140	DD 700 Ethernet IP Option Card
899-100139	DD 700 Profibus DP Option Card
899-100141	DD 700 Analog Output 0-10VDC / 4-20mA Option Card
899-100159	DD 700 USB Wired Keyboard

Part Number	Parts
899-100151	DD 700 / 700i / 700ic Main CPU Board
899-100158	DD 700ic Enclosure Front Cover w/ Keypad
899-100149	DD 700 / 700i / 700ic LCD Display Board
899-100095	DD 1050 / DD 700 / 700ic External Desktop Power Supply
899-100152	DD 700 / 700i / 700ic DIGITAL Scale Input Module w/ Connector
899-100150	DD 700 / 700i / 700ic Display Board Connector
899-100154	DD 700 / 700i / 700ic Second Analog Scale Input Connector
899-100153	DD 700 / 700i / 700ic Built-in Main Board I/O Module
899-100157	DD 700i / DD 700ic Wall Mount Bracket
899-100129	DD 700i / DD 700ic Desktop Swivel Bracket

DD Indicators

DD 700i



STANDARD FEATURES

- Swivel bracket / stainless steel enclosure (IP68) rating
- High visibility backlit LCD full graphic display
- Membrane keypad with 18-keys
- Text based configuration menus
- Extensive built-in diagnostic screens
- Time and date
- Hot keys for frequent functions
- Export transaction data to USB flash memory
- (2) "Plug & Play" option card slots
- (1) USB host (Type A) port
- (1) USB serial (Type B) port
- (2) isolated dry contact inputs
- (2) relay outputs (24 V(AC/DC) @ 190 mA)
- (1) RS-232 serial port
- (1) RS-232 / RS-422 / RS-485 configurable port
- Six built-in language choices
- NTEP COC: 15-113
- CANADA: AM-6012



TECHNICAL FEATURES

Power Supply Input / Output	110-240 VAC / 50-60 HZ input / 12 VDC output / internally mounted
Maximum Power	60 watt
Weight Repeater	Yes, via parameter configuration, analog or digital scale
Analog Scales (AS)	One analog scale input standard / two analog scales (multiplexing)
Max Load Cells (AS)	(12) 350 Ohm cells or (24) 700 Ohm cells
Minimum Impedance (AS)	29 Ohm
Load Cell Power Supply (AS)	5 VDC
Internal Resolution (AS)	1,000,000 points @ 10 Hz
Maximum Input (AS)	30 mV
Sensitivity (AS)	0.5 μ V / division
Digital Scales (DS)	One digital scale input standard
Max Load Cells (DS)	(12) CPD-M digital load cells
Load Cell Power Supply (DS)	10-15 VDC
Internal Resolution (DS)	200,000 points @ 25 Hz
Case Protection / Terminations	IP68 / terminations inside enclosure - all wiring through cord grips on bottom of case
Standard Software	Single weighing / Double weighing (truck in/out)
Optional Software	Counting scale
Optional Software	Check weighing (requires LED light bar option)
Optional USB Keyboard	Computer QWERTY keyboard can connect to USB port
Option Card	DD 700 Ethernet TCP/IP Option Card
Option Card	DD 700 Single Serial RS-232 / RS-422 / RS-485 Option Card
Option Card	DD 700 4-Input / 4-Output Option Card
Option Card	DD 700 MPP Memory Option Card
Option Card	DD 700 Ethernet IP Option Card
Option Card	DD 700 Profibus DP Option Card

DD Indicators

DD 700i

Part Number	Description
899-100133	DD 700i Indicator - Stainless Case, <u>DIGITAL</u> Scale Input
899-100132	DD 700i Indicator - Stainless Case, <u>ANALOG</u> Scale Input

Part Number	Options
899-100143	DD 700 Ethernet TCP/IP Option Card
899-100138	DD 700 Single Serial RS-232 / RS-422 / RS-485 Option Card
899-100137	DD 700 4-Input / 4-Output Option Card
899-100142	DD 700 MPP Memory Option Card
899-100140	DD 700 Ethernet IP Option Card
899-100139	DD 700 Profibus DP Option Card
899-100141	DD 700 Analog Output 0-10VDC / 4-20mA Option Card
899-100159	DD 700 USB Wired Keyboard
899-100136	DD 700i LED Light Bar for Range Control

Part Number	Parts
899-100151	DD 700 / 700i / 700ic Main CPU Board
899-100155	DD 700i Enclosure Front Cover w/ Keypad
899-100149	DD 700 / 700i / 700ic LCD Display Board
899-100117	DD 1010i / 700i Internal Cage Power Supply
899-100152	DD 700 / 700i / 700ic DIGITAL Scale Input Module w/ Connector
899-100150	DD 700 / 700i / 700ic Display Board Connector
899-100154	DD 700 / 700i / 700ic Second Analog Scale Input Connector
899-100153	DD 700 / 700i / 700ic Built-in Main Board I/O Module
899-100157	DD 700i / DD 700ic Wall Mount Bracket
899-100129	DD 700i / DD 700ic Desktop Swivel Bracket
899-100156	DD 700i External USB Connector & All Cord Grips

Advanced DD Indicators



DD 2050 Unattended Scale Terminal - Touch Screen

ENCLOSURE

- 304 stainless steel
- Keyed enclosure access door
- Protective secondary "hood" cover
- Built-in heat / cool thermal control devices
- Anti-vandal locking cover available

CONNECTIVITY

- (1) Analog or Digital scale input
- (1) RS-232/422 serial ports
- (2) RS-232 serial ports
- (1) TCP/IP Ethernet
- (4) USB ports
 - USB mouse
 - USB Keyboard
 - USB to RS232 w/ FTDI Chip Set
- SD memory slot



COC: 13-055
Canada: AM-6012

DISPLAY

- 12.1" color display
- Touch screen with protective cover
- High contrast display - legible in direct sunlight
- Designed for temperature extremes of outdoor use
- User programmable displays, icons and graphics and layout

PRINTER

- Thermal paper receipt printer
- Large paper roll capacity - 3.15" receipt width
- Jam-proof automatic cutter and tensioning system
- Illuminated receipt outlet slot
- Internal uncollected receipt storage area

OPTIONAL READER DEVICES

- Multiple user identification devices available
 - Optical bar code readers (swipe card or paper printed)
 - Proximity (RFID) reader or reader / writer (card or key fob)
 - Magnetic strip reader (swipe card)
- Reader device securely mounted into front panel of enclosure

OPTIONAL FEATURES

- Up to 3 additional scale cards
- WI-FI interface card
- Cellular network interface UMTS / GPRS / EDGE / GSM / MSPDA
- (4) input / (6) output card
- (8) input / (12) output card
- 2 or 4 port USB to 232/422/458 Adapter
- Pulse input
- Analog 4-20 mA Input / Output
- Sound card with microphone input
- Photo Eyes



UNATTENDED SCALE TERMINAL

The DD 2050 is a robust fully integrated control terminal, which has been specifically designed for driver operated weighbridge installations. It features a large high resolution interactive touch screen, intuitive operator prompts and optional voice activation capability. The DD 2050 has a built in high capacity roll-tape printer and operation can be initiated with a range of security/ access card technologies including RFID, magnetic and 1D/2D barcode readers. Users can appreciate the real power of the DD 2050 when combined with ScaleSoft.NET truck management software and peripheral control equipment. This combination brings significant improvements in data collection, data management, site security and vehicle logistics.

NETWORKED COMMUNICATIONS

The hardware configuration, together with the programming power of the DD 2050 terminal, ensures flexible and simple connectivity with customers' own internal data networks. With the DD 2050 and ScaleSoft.NET software it is possible to collect, organize and store any amount of data associated with a truck weighment in/out weight, commodity code, truck ID, driver information, license plate image...

APPLICATION FLEXIBILITY

DD 2050 terminals are equipped with metrological software and hardware for complete management of the weighing device connected. Up to four independent scale inputs can be handled with the DD 2050. Each scale can have application specific operator interaction, graphics, data storage and communication with higher level systems. Process specific application programs can be developed and executed within the terminal. The DD 2050 terminal is a freely programmable device.

Part Number

Software Packages - See the Software section for more details

878-100007	Full version of ScaleSoft Software
878-100009	Lite version of ScaleSoft Software
899-STDTIO	Standard Truck In /Truck Out Software
899-TRUCKINOUT	Truck In /Truck Out Plus Software

Advanced DD Indicators



DD 2050 Unattended Scale Terminal - Touch Screen

Part Number	Description
899-100082	DD 2050 Unattended Scale Terminal - ANALOG SCALE *** <i>Select reader type from options listed below</i>
899-100081	DD 2050 Unattended Scale Terminal - DIGITAL SCALE *** <i>Select reader type from options listed below</i>

Part Number	Options
899-100059	1D/2D Barcode Reader
878-000023	RFID Reader
878-000022	RFID Card
899-100063	4-Input / 6-Output Card
899-100103	8-Input / 12-Output Card
899-100064	DD 2050 / 1050 / 1010 Dual Serial Interface Card (1) USB to RS-232 / (1) USB to RS-422
899-100067	Sound Card
899-100066	DD1010, DD1050, DD2050 Sensors Interface Card 4-20ma Input / Output
878-000024	DD Series 4G Modem Kit
878-000025	1 Year Service DD 4G
899-100070	Ethernet Switch - 5-Port
899-100071	SW MPP for DIADE Indicators
899-100072	Second ANALOG Scale Interface
899-100073	Interface Up To 3 ANALOG Scales *
899-100074	Interface Up To 4 ANALOG Scales *
899-100075	Second DIGITAL Scale Interface (requires addition of 899-100121)
899-100076	Interface Up To 3 DIGITAL Scales * (requires addition of 899-100121)
899-100077	Interface Up To 4 DIGITAL Scales * (requires addition of 899-100121)
899-100121	Power Supply Card for DIGITAL Multi-Scale
878-000021	B-TEK Micro-Server
878-000026	Photo Eye Kit, Pair of Photo Eyes w/ Brackets & Cables
200-160094-RL	12' Swing arm pole - complete pole/back plate assembly for DD2050

* Not Applicable with Sound Card OC0987

Part Number	Parts
899-100083	DD 2050 / 1050 / 1050i Main Board for CMX-270 (Old Version)
899-100167	DD 2050 / 1050 / 1050i Main Board for CMX-300 (New Version)
899-100084	DD 2050 / 1050 / 1050i Driver Card For Serial Outputs
899-100115	DD 2050 / 1050 / 1050i Core Card (New Version – CMX-300)
899-100087	DD 2050 Display Backlit Inverter
899-100088	DD 2050 Power Supply (24 VDC) For Printer, Heater, Fan
899-100089	DD 2050 Power Supply (12 VDC) For Main Board
899-100091	DD 2050 Backlit Cable
899-100092	DD 2050 Display Cable
899-100093	DD 2050 Touch Screen Display (For Older Units, Inst. EGalax Software)
899-100093-CMX300	DD2050 Display Kit With Touchscreen - Use With CMX-300 Processor
899-100094	DD 2050 Inverter Cable
899-100105	DD 2050 Printer Paper Roll 3-1/8x 660' (21#/HEAVY)
899-100169	USB Touch Controller - DD 2050
899-100119	Kiosk VKP-80II-UE DD2050 thermal printer USB/RS232
899-100120	Kiosk VKP-80II DD2050 Printer Paper Arm
899-380015	Spare DD2050 Enclosure Key New Style (FLAT TYPE)
899-380015 LOC	Spare DD2050 Enclosure Lock Assembly for Flat Key
899-380017	Spare DD2050 Enclosure Key Old Style (ROUND TYPE)

DD Indicators

Advanced DD Indicators



DD 1050 Scale Terminal - Touch Screen

ENCLOSURE

- Desktop
- ABS rear housing and support legs
- Stainless steel front
- Adjustable viewing angle

DISPLAY

- 10.4" color display
- Touch screen with protective cover
- High contrast display
- User programmable displays, icons and graphics and layout

STANDARD HARDWARE

- (1) Ethernet 10/100 (wired)
- (2) 24 VAC/DC inputs
- (2) 24 VAC/DC outputs
- (2) Configurable RS-232 / RS-422 / RS485 ports
- (1) RS-232 port
- (2) Memory card expansion slots
- (3) Expansion card slots
- (1) Scale input - up to 100 readings / sec
- (4) USB ports for standard PC connectible devices
 - USB mouse
 - USB keyboard
 - USB to RS2232 w/ FTDI Chip Set



COC: 13-055
Canada: AM-6012

OPTIONAL FEATURES

- Up to 3 additional scale inputs
- Wi-Fi interface card
- Cellular Network Interface
- (4) input / (6) output card
- (8) input / (12) output card
- 2 or 4 port 232/422/485 adapter
- Pulse count input up to 2 KHz
- Analog input 0-10 V / 4-20 mA
- Analog output 0-10 V / 4-20 mA
- Sound card with microphone input

SCALE INFORMATIONAL TERMINAL

The DD 1050 is a fully integrated scale information and control terminal, which has been specifically designed for ease of operator interaction. It features a large high resolution configurable graphic touch screen display and the flexibility to connect to many different types of external peripheral devices.

NETWORKED COMMUNICATIONS

The hardware configuration, together with the programming power of the DD 1050 terminal, ensures simple connectivity with customers' own networks and because it is possible to install drivers for various peripheral accessories, such as printers etc., these can be managed directly from the terminal. By using an SQL relational database, enhanced with remote connectivity options and flexible archive structuring, targeted data management can be achieved enabling the data in question to be easily exported to corporate databases.

APPLICATION FLEXIBILITY

DD 1050 terminals are equipped with metrological software and hardware for complete management of the weighing device connected. Up to four independent scale inputs can be handled with the DD 1050. Each scale can have application specific operator interaction, graphics, data storage and communication with higher level systems. Process specific application programs can be developed and executed within the terminal. The DD 1050 terminal is a freely programmable device.

Advanced DD Indicators



DD 1050 Scale Terminal - Touch Screen

Part Number	Description
899-100033	DD 1050 Scale Terminal - ANALOG SCALE
899-100034	DD 1050 Scale Terminal - DIGITAL SCALE
Part Number	Options
899-100079	Wall Mounting Kit
899-100063	4-Input / 6-Output Card
899-100103	8-Input / 12-Output Card
899-100064	Serial Interface Adaptors (1) USB to RS232 (1) USB to RS422
899-100210	Quad Serial Interface (1) USB TO (4) RS232 Ports
899-100211	Dual Serial Interface (1) USB TO (2) RS232 Ports
899-100212	Single Serial Interface (1) USB TO (1) RS232 PORT
878-000024	DD Series 4G Modem Kit
878-000025	1 Year Service DD 4G
899-100066	DD1010, DD1050, DD2050 Sensors Interface Card 4-20ma Input / Output
899-100067	Sound Card
899-100071	SW MPP for DIADE Indicators
899-100072	Second ANALOG Scale Interface
899-100073	Interface Up To 3 ANALOG Scales *
899-100074	Interface Up To 4 ANALOG Scales *
899-100075	Second DIGITAL Scale Interface (requires addition of 899-100121)
899-100076	Interface Up To 3 DIGITAL Scales * (requires addition of 899-100121)
899-100077	Interface Up To 4 DIGITAL Scales * (requires addition of 899-100121)
899-100121	Power Supply Card for DIGITAL Multi-Scale
878-000015	Photo Eye Kit, Pair of Photo Eyes W/ Power Enclosure, Brackets & Cables

* Not Applicable with Sound Card OC0987

Part Number	Parts
899-100083	DD 2050 / 1050 / 1050i Main Board for CMX-270 (Old Version)
899-100167	DD 2050 / 1050 / 1050i Main Board for CMX-300 (New Version)
899-100084	DD 2050 / 1050 / 1050i Driver Card For Serial Outputs
899-100115	DD 2050 / 1050 / 1050i Core Card (New Version – CMX-300)
899-100095	DD 1050 / 1010ic External Power Supply
899-100096	DD 1050 Display Kit
899-100099	DD 1050 / 1010 Power Supply Card (DC / DC Analog Scale)
899-100100	DD 1050 / 1010 Power Supply Card (DC / DC Digital Scale)
899-100101	DD 1050 / 1050i Connection Cable - Main Board - Programming

Part Number	Software Packages - See the Software section for more details
878-100007	Full version of ScaleSoft Software
878-100009	Lite version of ScaleSoft Software
899-STDTIO	Standard Truck In /Truck Out Software
899-TRUCKINOUT	Truck In /Truck Out Plus Software

DD Indicators

Advanced DD Indicators



DD 1050i Scale Terminal - Touch Screen

ENCLOSURE

- Desktop
- ABS rear housing and support legs
- Stainless steel front
- Adjustable viewing angle

DISPLAY

- 10.4" color display
- Touch screen with protective cover
- High contrast display
- User programmable displays, icons and graphics and layout

STANDARD HARDWARE

- (1) Ethernet 10/100 (wired)
- (2) 24 VAC/DC inputs
- (2) 24 VAC/DC outputs
- (2) Configurable RS-232 / RS-422 / RS485 ports
- (1) RS-232 port
- (2) Memory card expansion slots
- (3) Expansion card slots
- (1) Scale input - up to 100 readings / sec
- (4) USB ports for standard PC connectible devices
 - USB mouse
 - USB keyboard
 - USB to RS2232 w/ FTDI Chip Set

OPTIONAL FEATURES

- Up to 3 additional scale inputs
- Wi-Fi interface card
- Cellular Network Interface
- (4) input / (6) output card
- (8) input / (12) output card
- 2 or 4 port 232/422/485 adapter
- Pulse count input up to 2 KHz
- Analog input 0-10 V / 4-20 mA
- Analog output 0-10 V / 4-20 mA
- Sound card with microphone input



COC: 13-055
Canada: AM-6012

SCALE INFORMATIONAL TERMINAL

The DD 1050 is a fully integrated scale information and control terminal, which has been specifically designed for ease of operator interaction. It features a large high resolution configurable graphic touch screen display and the flexibility to connect to many different types of external peripheral devices.

NETWORKED COMMUNICATIONS

The hardware configuration, together with the programming power of the DD 1050 terminal, ensures simple connectivity with customers' own networks and because it is possible to install drivers for various peripheral accessories, such as printers etc., these can be managed directly from the terminal. By using an SQL relational database, enhanced with remote connectivity options and flexible archive structuring, targeted data management can be achieved enabling the data in question to be easily exported to corporate databases.

APPLICATION FLEXIBILITY

DD 1050 terminals are equipped with metrological software and hardware for complete management of the weighing device connected. Up to four independent scale inputs can be handled with the DD 1050. Each scale can have application specific operator interaction, graphics, data storage and communication with higher level systems. Process specific application programs can be developed and executed within the terminal. The DD 1050 terminal is a freely programmable device.

Advanced DD Indicators



DD 1050i Scale Terminal - Touch Screen

Part Number	Description
899-100053	DD 1050i Scale Terminal - ANALOG SCALE
899-100056	DD 1050i Scale Terminal - DIGITAL SCALE

Part Number	Options
899-100080	Wall Mounting Kit
899-100063	4-Input / 6-Output Card
899-100103	8-Input / 12-Output Card
899-100064	Serial Interface Adaptors (1) USB to RS232 (1) USB to RS422
899-100210	Quad Serial Interface (1) USB TO (4) RS232 Ports
899-100211	Dual Serial Interface (1) USB TO (2) RS232 Ports
899-100212	Single Serial Interface (1) USB TO (1) RS232 PORT
878-000024	DD Series 4G Modem Kit
878-000025	1 Year Service DD 4G
899-100066	DD1010, DD1050, DD2050 Sensors Interface Card 4-20ma Input / Output
899-100071	SW MPP for DIADE Indicators
899-100072	Second ANALOG Scale Interface
899-100073	Interface Up To 3 ANALOG Scales
899-100074	Interface Up To 4 ANALOG Scales
899-100075	Second DIGITAL Scale Interface (requires addition of 899-100121)
899-100076	Interface Up To 3 DIGITAL Scales (requires addition of 899-100121)
899-100077	Interface Up To 4 DIGITAL Scales (requires addition of 899-100121)
899-100121	Power Supply Card for DIGITAL Multi-Scale
878-000015	Photo Eye Kit, Pair of Photo Eyes W/ Power Enclosure, Brackets & Cables

Part Number	Parts
899-100083	DD 2050 / 1050 / 1050i Main Board
899-100084	DD 2050 / 1050 / 1050i Driver Card for Serial Outputs
899-100097	DD 1050i Power Supply
899-100098	DD 1050i Display Kit
899-100099	DD 1050 / 1010 Power Supply Card (DC / DC Analog Scale)
899-100100	DD 1050 / 1010 Power Supply Card (DC / DC Digital Scale)
899-100101	DD 1050 / 1050i Connection Cable - Main Board - Programming

Part Number	Software Packages - See the Software section for more details
878-100007	Full version of ScaleSoft Software
878-100009	Lite version of ScaleSoft Software
899-STDTIO	Standard Truck In /Truck Out Software
899-TRUCKINOUT	Truck In /Truck Out Plus Software

DD Indicators

Advanced DD Indicators



DD 1010i Scale Terminal - Touch Screen

ENCLOSURE

- Wall mount
- 304 stainless steel housing
- *IP68 / 69K ingress protection*
- *SS cord grip strain reliefs*
- Internal 110-240 VAC power supply

DISPLAY

- 5.7" color display
- Touch screen with protective cover
- High contrast TFT technology color display
- User programmable displays, icons and graphics and layout

STANDARD HARDWARE

- (1) Ethernet 10/100 (wired)
- (1) Configurable RS-232 / RS-422 / RS485 port
- (1) RS232 port
- (1) SD Memory card slot
- (2) Expansion card slots
- (1) Scale input (analog or digital) - up to 100 readings / sec.
- (1) External USB host port with waterproof cover
 - USB to RS232 w/ FTDI Chip Set
- (1) Internal USB host port for optional PC connectible devices
 - USB mouse
 - USB keyboard

OPTIONAL FEATURES

- One additional scale input (analog or digital)
- (4) input / (6) output card
- (8) input / (12) output card
- 2 or 4 port 232/422/485 adapter
- Pulse count input up to 2 KHz
- Analog input 0-10 V / 4-20 mA
- Analog output 0-10 V / 4-20 mA
- Cellular Network Interface

SCALE INFORMATION TERMINAL

The DD 1010i is a fully integrated scale information and control terminal, which has been specifically designed for ease of operator interaction. It features a color, 5.7" high resolution configurable graphic touch screen display and the flexibility to connect to many different types of external peripheral devices.

NETWORKED COMMUNICATIONS

The hardware configuration, together with the programming power of the DD 1010i terminal, ensures simple connectivity with customers' own networks and because it is possible to install drivers for various peripheral accessories, such as printers etc., these can be managed directly from the terminal. By using an SQL relational database, enhanced with remote connectivity options and flexible archive structuring, targeted data management can be achieved enabling the data in question to be easily exported to corporate databases.

APPLICATION FLEXIBILITY

DD 1010i terminals are equipped with metrological software and hardware for complete management of the weighing device connected. Up to two independent scale inputs can be handled with the DD 1010i. Each scale can have application specific operator interaction, graphics, data storage and communication with higher level systems. Process specific application programs can be developed and executed within the terminal. The DD 1010i terminal is a freely programmable device.



COC: 14-010A1
Canada: AM-5935C

Advanced DD Indicators



DD 1010i Scale Terminal - Touch Screen

Part Number	Description
899-100109	DD 1010i Scale Terminal, IP68 - ANALOG SCALE
899-100110	DD1010i Scale Terminal, IP68 - DIGITAL SCALE

Part Number	Options
899-100063	4-Input / 6-Output Card
899-100103	8-Input / 12-Output Card
899-100112	External Terminal Board for 8-Input / 12-Output Card
899-100064	Serial Interface Adaptors (1) USB to RS232 (1) USB to RS422
899-100210	Quad Serial Interface (1) USB TO (4) RS232 Ports
899-100211	Dual Serial Interface (1) USB TO (2) RS232 Ports
899-100212	Single Serial Interface (1) USB TO (1) RS232 PORT
899-100066	DD1010, DD1050, DD2050 Sensors Interface Card 4-20ma Input / Output
899-100071	SW MPP for DIADE Indicators
878-000024	DD Series 4G Modem Kit
878-000025	1 Year Service DD 4G
899-100072	Second ANALOG Scale Interface
899-100113	Software Option for PDF Printing
899-100157	DD1010 Wall Mount Bracket
878-000015*	Photo Eye Kit, Pair of Photo Eyes W/ Power Enclosure, Brackets & Cables

* Requires Item 899-100063 for I/O Inputs

Part Number	Parts
899-100114	DD 1010 Main Board
899-100115	DD 1010 Core Card (New Version – CMX-300)
899-100116	DD 1010 5.7" Color Display
899-100117	DD 1010i / 700i Internal Cage Power Supply
899-100099	DD 1050 / 1010 Power Supply Card (DC / DC Analog Scale)
899-100127	DD1010i Swivel Table Bracket

Part Number	Software Packages - See the Software section for more details
878-100007	Full version of ScaleSoft Software
878-100009	Lite version of ScaleSoft Software
899-STDTIO	Standard Truck In /Truck Out Software
899-TRUCKINOUT	Truck In /Truck Out Plus Software

DD Indicators

Advanced DD Indicators



DD 1010ic Scale Terminal - Touch Screen

ENCLOSURE

- Desktop
- 304 stainless steel housing
- IP65 front panel protection
- External connectors and wiring terminals
- External 110-240 VAC to 12 VDC power supply

DISPLAY

- 5.7" color display
- Touch screen with protective cover
- High contrast TFT technology color display
- User programmable displays, icons and graphics and layout

STANDARD HARDWARE

- (1) Ethernet 10/100 (wired)
- (1) Configurable RS-232 / RS-422 / RS485 port
- (1) RS232 port
- (1) SD Memory card slot
- (2) Expansion card slots
- (1) Scale input (analog or digital) - up to 100 readings / sec.
- (2) USB host ports for optional PC connectible devices
 - USB mouse
 - USB keyboard
 - USB to RS232 w/ FTDI Chip Set

OPTIONAL FEATURES

- One additional scale input (analog or digital)
- (4) input / (6) output card
- (8) input / (12) output card
- 2 or 4 port 232/422/485 adapter
- Pulse count input up to 2 KHz
- Analog input 0-10 V / 4-20 mA
- Analog output 0-10 V / 4-20 mA
- Cellular Network Interface

SCALE INFORMATION TERMINAL

The DD 1010ic is a fully integrated scale information and control terminal, which has been specifically designed for ease of operator interaction. It features a color, 5.7" high resolution configurable graphic touch screen display and the flexibility to connect to many different types of external peripheral devices.

NETWORKED COMMUNICATIONS

The hardware configuration, together with the programming power of the DD 1010ic terminal, ensures simple connectivity with customers' own networks and because it is possible to install drivers for various peripheral accessories, such as printers etc., these can be managed directly from the terminal. By using an SQL relational database, enhanced with remote connectivity options and flexible archive structuring, targeted data management can be achieved enabling the data in question to be easily exported to corporate databases.

APPLICATION FLEXIBILITY

DD 1010ic terminals are equipped with metrological software and hardware for complete management of the weighing device connected. Up to two independent scale inputs can be handled with the DD 1010ic. Each scale can have application specific operator interaction, graphics, data storage and communication with higher level systems. Process specific application programs can be developed and executed within the terminal. The DD 1010ic terminal is a freely programmable device.



COC: 14-010A1

Canada: AM-5935C

Advanced DD Indicators



DD 1010ic Scale Terminal - Touch Screen

Part Number	Description
899-100107	DD 1010ic Scale Terminal - ANALOG SCALE
899-100108	DD 1010ic Scale Terminal - DIGITAL SCALE

Part Number	Options
899-100063	4-Input / 6-Output Card
899-100103	8-Input / 12-Output Card
899-100112	External Terminal Board for 8-Input / 12-Output Card
899-100064	Serial Interface Adaptors (1) USB to RS232 (1) USB to RS422
899-100210	Quad Serial Interface (1) USB TO (4) RS232 Ports
899-100211	Dual Serial Interface (1) USB TO (2) RS232 Ports
899-100212	Single Serial Interface (1) USB TO (1) RS232 PORT
899-100066	DD1010, DD1050, DD2050 Sensors Interface Card 4-20ma Input / Output
899-100071	SW MPP for DIADE Indicators
878-000024	DD Series 4G Modem Kit
878-000025	1 Year Service DD 4G
899-100072	Second ANALOG Scale Interface
899-100075	Second DIGITAL Scale Interface (requires addition of 899-100121)
899-100121	Power Supply Card for DIGITAL Multi-Scale
899-100113	Software Option for PDF Printing
899-100157	DD1010 Wall Mount Bracket
878-000015*	Photo Eye Kit, Pair of Photo Eyes W/ Power Enclosure, Brackets & Cables

* Requires Item 899-100063 for I/O Inputs

Part Number	Parts
899-100114	DD 1010 Main Board
899-100115	DD 1010 Core Card (New Version – CMX-300)
899-100116	DD 1010 5.7" Color Display
899-100095	DD 1050 / 1010ic External Power Supply
899-100099	DD 1050 / 1010 Power Supply Card (DC / DC Analog Scale)
899-100100	DD 1050 / 1010 Power Supply Card (DC / DC Digital Scale)
899-100127	DD1010i Swivel Table Bracket

Part Number	Software Packages - See the Software section for more details
878-100007	Full version of ScaleSoft Software
878-100009	Lite version of ScaleSoft Software
899-STDTIO	Standard Truck In /Truck Out Software
899-TRUCKINOUT	Truck In /Truck Out Plus Software

DD Indicators

Advanced DD Indicators



DD 1010 Skynet Scale Terminal - Touch Screen

ENCLOSURE

- Desktop
- ABS housing
- External connectors and wiring terminals
- External 110-240 VAC to 12 VDC power supply

DISPLAY

- 5.7" color display
- Touch screen with protective cover
- High contrast TFT technology color display
- User programmable displays, icons and graphics and layout

STANDARD HARDWARE

- High Speed 1 GHz Dual Core Processor
- 1 GByte Internal Memory
- (1) Ethernet 10/100 (wired)
- (1) Configurable RS-232 / RS-422 / RS485 port
- (2) RS232 ports
- (2) input / (2) 24VDC Output Opto-isolated Relays
- (2) Expansion card slots
- (1) Scale input (analog or digital) - up to 100 readings / sec.
 - Up to (12) 350 ohm Analog Cells (12 +12 duplex version)
 - Up to (16) Digital Cells (8 + 8 duplex version)
- (4) USB host ports for optional PC connectable devices
 - USB mouse
 - USB keyboard
 - USB to RS232 w/ FTDI Chip Set

OPTIONAL FEATURES

- One additional scale input (analog or digital)
- (4) input / (6) output card
- (8) input / (12) output card
- Wi-Fi Communication Device
- HDMI Card for External Repeater
- Pulse count input up to 2 KHz
- Analog input 0-10 V / 4-20 mA
- Analog output 0-10 V / 4-20 mA
- Cellular Network Interface

SCALE INFORMATION TERMINAL

The DD 1010 Skynet is a fully integrated scale information and control terminal, which has been specifically designed for ease of operator interaction. It features a color, 5.7" high resolution configurable graphic touch screen display and the flexibility to connect to many different types of external peripheral devices.

NETWORKED COMMUNICATIONS

The hardware configuration, together with the programming power of the DD 1010 Skynet terminal, ensures simple connectivity with customers' own networks and because it is possible to install drivers for various peripheral accessories, such as printers etc., these can be managed directly from the terminal. By using an SQL relational database, enhanced with remote connectivity options and flexible archive structuring, targeted data management can be achieved enabling the data in question to be easily exported to corporate databases.

APPLICATION FLEXIBILITY

DD 1010 Skynet terminals are equipped with metrological software and hardware for complete management of the weighing device connected. Up to two independent scale inputs can be handled with the DD 1010 Skynet. Each scale can have application specific operator interaction, graphics, data storage and communication with higher level systems. Process specific application programs can be developed and executed within the terminal. The DD 1010 Skynet terminal is a freely programmable device.



COC:14-010A1

Canada: AM-5935C

OIML: R76/2006-A-GB1-18.15

Advanced DD Indicators



DD 1010 Skynet Scale Terminal - Touch Screen

Part Number	Description
899-100181	DD 1010 Skynet Scale Terminal - ANALOG SCALE
899-100182	DD 1010 Skynet Scale Terminal - DIGITAL SCALE
899-100183	DD 1010ic Skynet Scale Terminal - ANALOG SCALE
899-100185	DD 1010ic Skynet Scale Terminal - DIGITAL SCALE
899-100187	DD 1010i Skynet Scale Terminal - ANALOG SCALE
899-100188	DD 1010i Skynet Scale Terminal - DIGITAL SCALE

Part Number	Options
899-100190	DD1010 Skynet 8-Input / 12-Output Card
899-100112	External Terminal Board for 8-Input / 12-Output Card
899-100066	DD1010, DD1050, DD2050 Sensors Interface Card 4-20ma Input / Output
899-100071	SW MPP for DIADE Indicators
899-100192	DD1010 Skynet Second ANALOG Scale Interface
899-100193	DD1010 Skynet Second DIGITAL Scale Interface
899-100202	DD1010 Skynet Plate for DIGITAL Scale in Slot
899-100121	Digital Internal Power Regulator For Multi Scale Board
899-100194	Software Option for Connection of a Network Printer
899-100113	Software Option for Generation PDF Ticket for E-mailing
899-100195	DD1010 Skynet Wall Mount Bracket
899-100219	DD1010ic Skynet Wall Mount Bracket
899-100129	DD1010i Skynet Desk Stand
899-100196	DD1010 Skynet HDMI Output Expansion Card
899-100067	Sound Card
899-100069	Interface for - UMTS/WIFI/GPRS/EDGE/GSM/MSPDA
899-100270	USB to RS422 converter

Part Number	External Options
878-000024	DD Series 4G Modem Kit
878-000025	1 Year Service DD 4G
878-000015	Photo Eye Kit, Pair of Photo Eyes W/ Power Enclosure, Brackets & Cables
899-100197	GATEWAY PROFINET IO (external)
899-100198	GATEWAY PROFIBUS DPV1
899-100199	ETHERNET/IP gateway (external)
899-100200	MODBUS-RTU gateway (external) OC2753
899-100201	MODBUS-RTU gateway (external) OC2754

Part Number	Software Packages - See the Software section for more details
878-100007	Full version of ScaleSoft Software
878-100009	Lite version of ScaleSoft Software
899-STDTIO	Standard Truck In /Truck Out Software
899-TRUCKINOUT	Truck In /Truck Out Plus Software

DD Indicators

Advanced DD Indicators



DD 1010 Skynet Scale Terminal - Touch Screen

Part Number	Parts
899-100204	DD 1010 Skynet Main Board
899-100205	DD 1010 Skynet Core Card
899-100116	DD 1010 Skynet 5.7" Color Display
899-100203	DD1010 Skynet Display Holder Card
899-100095	DD 1050 / 1010ic External Power Supply
899-100099	DD 1050 / 1010 Power Supply Card (DC / DC Analog Scale)
899-100100	DD 1050 / 1010 Power Supply Card (DC / DC Digital Scale)
899-100206	DD1010 Skynet Upper Housing and Overlay
899-100207	DD1010 Skynet Analog Scale Ribbon Cable from Main Board
899-100208	DD1010 Skynet Digital Scale Ribbon Cable from Main Board
899-100209	DD1010 Skynet 15cm White Flat Display Cable
899-100217	DD1010i Skynet Ribbon Cable Mother Board to Analog Converter L=20 CM
899-100218	DD1010i / DD1010ic Skynet White Flat Display Cable L=35 CM

Part Number	Software Packages
878-100007	Full version of ScaleSoft Software. See page 95 for more details.
878-100009	Lite version of ScaleSoft Software. See page 95 for more details.
Truck In/Out	Basic Truck I/O Software. See page 96 for more details.
899-TRUCKINOUT	Advanced Truck I/O Software. See page 96 for more details.
Bilanciai SW	Bilanciai Single Weighing Software
Bilanciai DW	Bilanciai Double Weighing Software

ScaleSoft - Truck Management System



The true power of our weighing systems stems from our NTEP approved, uniquely developed software, ScaleSoft .NET. Encompassing more than scale traffic monitoring, ScaleSoft .NET can track materials, sales orders, invoices and more. Our software provides the flexibility to be used in any industry such as aggregate yards, coal mines, farming, recycling centers, waste transfer centers and more. ScaleSoft .NET Truck Management System software is designed to be fast, flexible and easy to use. It allows for simple fill in the blank setup and configuration within a familiar Windows-based application environment. ScaleSoft .NET is also part of a CTEP approved package.

Features

- Intuitive “fill in the blank” setup and data entry
- Minimal computer experience necessary
- Familiar Windows-based operator interface
- Import customer information from existing system
- Easily create, edit or void data during a transaction
- Remotely manage operator access levels
- Database backup and restore functions
- Easily configure ticket format and information
- Create and print daily / weekly / monthly reports
- Manage product descriptions, inventory in/out and pricing
- Interface with QuickBooks
- Connect to signature pad & photo ID scanner
- Connect to network camera system
- Connect to license plate scan / capture camera
- Capture and store all peripheral image data within transaction
- Interface to outdoor ticketing kiosk

Coal Option (ScaleSoft.NET only)

Data points for origin, destination, seam

Farm Option (ScaleSoft.NET only)

Data points for farms, fields, moisture, bushels

ASP.NET

Need to have access to the scale activity from more than one computer on your network? The ASP.NET add-on will allow any computer on the network with a web browser to log in without interrupting the operation of the scale. With the ASP.NET add-on you can view the scale activity, enter/edit data and create/print reports without installing any additional software on the client computer. Access to specific data can be restricted by password as needed.

Unattended Terminal Interface

With the B-TEK DD 2050 Unattended Scale Terminal and ScaleSoft Truck Management System software, it is possible to collect, organize and store any amount of data associated with a truck weighing: in/out weight, commodity code, truck ID, driver information, license plate image, and more ... all while an operator is not present on-site. DD 2050 terminals are equipped with metrological software and hardware for complete management of the weighing device connected. Up to four independent scale inputs can be handled with the DD 2050. Each scale can have application specific operator interaction, graphics, data storage and communication with higher level systems. Process-specific application programs can be developed and executed within the terminal.

ScaleSoft program requires one full license to be purchased for each site or location. A digital weight indicator with a serial output port or network weight is required. Installation additional, on a time & travel basis.

Advanced DD Software	Description
878-100007	ScaleSoft.NET Full License First PC 1: Truck Management System software for 1 PC (connected to the scale indicator). Digital link with license key provided for download from the internet. 1YR phone support included 8AM-5PM EST See DD/ScaleSoft Feature list on the next page or call for details.
878-100009	ScaleSoft Lite License First PC 1: Truck Management System software for 1 PC (connected to the scale indicator). Digital link with license key provided for download from the internet. 1YR phone support included 8AM-5PM EST See DD/ScaleSoft Feature list on the next page or call for details.
878-100008	ScaleSoft Additional License Additional PC: Truck Management System software for additional PC (other than the one connected to the scale indicator). Full or Lite license required.
878-000010	DD 2050 Unattended Terminal Software Site License for all 2050 Unattended Scale Terminals at single location. Interface ScaleSoft directly to DD 2050 terminal - data entered at terminal is captured and stored automatically by ScaleSoft. Includes: Unattended Hardware Kit: DIN Rail Print Server, 5 port 10/100 Unmanaged Switch, Print Server Serial Cable, 2x Patch Cable
878-000009	ASP.NET Site License: Web browser based add-on allowing an unlimited number of users to access a single, licensed ScaleSoft software installation. External users can have access to the ScaleSoft database through a remote PC. <i>Can only be purchased to accompany a full licensed copy of ScaleSoft.NET software</i>
899-DATASTUDIO	Data Studio - Modify, import and export data from DD indicators. Data Studio is backwards compatible with B-TEK Common Library which includes the server components.
899-STDTIO	Standard Truck I/O Software comes standard with connectivity to scoreboards and photo eyes. It can be used attended or unattended depending on your need.
899-TRUCKINOUT	Truck In/Out Plus includes built-in functionality for traffic lights, scoreboards, photo eyes, and more. It also features the ability to generate end-of-day reporting, integrate RFID technology, create custom prompts for any weighing application and can operate within an unattended mode. Additional functionality such as mobile access to data is also available through custom development and integration.
899-NEXIA	Nexia - Cloud-based monitoring and reporting platform



Nexia is a cloud-based platform that provides full insight into scale performance. It is designed to limit downtime by isolating and reporting hardware issues. Nexia provides detailed health monitoring with preventive maintenance suggestions and break fix solutions, resulting in decreased downtime and lower overall repair costs. It provides remote visibility into your scale, allowing technicians to arrive informed, prepared, and able to quickly solve outages. Offering analytics in real-time, Nexia also provides detailed performance data that can be easily viewed and exported into existing systems and software.

Access Portal

- Secure, 24x7 access from anywhere
- Quickly analyze trends and scale performance
- Generate, export and share performance reports

Data Analytics

- 54 points of data transferred and converted to usable scale information
- Analyze trends to optimize throughput and efficiency
- Identify unusual activity within a fleet of scales

Troubleshooting

- Arrive prepared with the proper equipment
- Quickly isolate and repair faulty hardware
- Recommended break/fix solutions

Alert System

- Preventative alerts prior to scale outage
- Automated scale outage notifications
- Abuse monitoring alerts
- Maintenance reminders

DD/ScaleSoft - Feature List

Features	Truck I/O	Truck I/O Plus	ScaleSoft Lite	ScaleSoft
Attended Weighing	✓	✓	✓	✓
Unattended Weighing	✓	✓	✓**	✓**
Unlimited Customers	✓*	✓*	✓	✓
Unlimited Products	✓*	✓*	✓	✓
Unlimited Haulers	✓*	✓*	✓	✓
Unlimited Stored Trucks	✓*	✓*	✓	✓
Stored Tare Weights	✓	✓	✓	✓
Export Completed Transactions to CSV	✓	✓	✓	✓
Customize Ticket Header	✓	✓	✓	✓
Modify Number of Print Tickets	✓	✓	✓	✓
B-TEK Photo Eye Support (Front & Back)	✓	✓	✓	✓
Unlimited Remote Display RS232/TCPIP (Gross)	✓	✓	✓	✓
Support for 4 Platforms for Axle Weighing	✓	✓	✓	✓
Custom Prompts without Validation		✓	✓	✓
B-TEK RFID Reader for Stored Trucks		✓	✓**	✓**
Daily Completed Transactions Reporting Email		✓		
Remote Push Button Zero Support		✓	✓**	✓**
Traffic Light Support with Weight Threshold		✓	✓**	✓**
Customizable Remote RS232/TCPIP		✓	✓**	✓**
Share Database through SQL Server		✓	✓**	✓**
Custom Prompts with Validation			✓	✓
20+ Built-In Reports			✓	✓
Scheduled Email Reporting			✓	✓
Accept Weight from Any Indicator			✓	✓
Built-in Report Designer			✓***	✓***
Unlimited Users and Groups				✓
Weigh from Unlimited Number of Scales				✓
Track Inventory				✓
Separate Pricing (Product/Customer/Job)				✓
Job (Sales Order) Tracking				✓
Invoice Generation				✓
Quickbooks Syncing				✓
Unlimited B-TEK Approved IP Camera Support				✓
Hauling Rates				✓
Track Trailers/Containers/Vendors/Rail Cars				✓

* Max number of records per database is 5,500. This includes transactional records, stored customers, products, haulers and trucks.

** Feature requires the use of a DDX0X0 indicator and ScaleSoft Unattended Module; both sold separately

*** Built-in report designer does not include modifications of reports or tickets; nor training

Support	Description
878-000011	Annual Phone Support: 1-year of unlimited software phone support (Renewed Annually)
878-000012	Incident Phone Support: Software phone support on a per incident basis if no annual phone support contract is in place.
878-000013	On-Site Software Training / Support: On-Site visit to assist with installation of the software, setup customer information, create reports, format printed scale tickets, transfer of existing customer or transaction data into ScaleSoft database, operator training, etc. (Pricing per hour / mileage)
878-000014	Custom Report or Ticket Format: Creation of a single report format or printed scale ticket. (Pricing per hour)

Connectivity	Description
Unattended Hardware Kit with Switch	Required for each indicator to be attached to the unattended system: DIN Rail Print Server, 5 Port 10/100 Unmanaged Switch, Print Server Serial Cable, and 2x Patch Cable. Power supplies sold separately if required.
Unattended Hardware Kit without Switch	Required for each indicator to be attached to the unattended system: DIN Rail Print Server, Print Server Serial Cable, and 2x Patch Cable. Power Supplies sold separately if required.
4G Modem Kit	Verizon Compatible 4G Modem, 10/100 Unmanaged Switch, 1 Patch Cable, 2x Magnetic Mount w/ 6ft cable, and 2x antenna. Power supplies sold separately if required. SERVICE SOLD SEPARATELY
4G Service	1-Year of Verizon 4G service w/ 1GB of data transmission per month. Overages billed at cost plus 10% administration fee. Check service area before ordering, recurring bill due 1 month prior to end of subscription, restocking and cancellation fee may apply.

Standard Software	Description
899-DATAWEDGE	Data Wedge - Modify, import and export data from the T419 indicator over TCP/IP or serial connections.
899-RELAYSERVER	Remotely view and manage multiple scales through a single online portal in real-time. Accept scale weights through TCP/IP or serial connections. Display weighments in real-time online and capture weights at preset intervals.

Training	Description
Apprentice Tech Mentorship Program	Six month training program including: 3.5 days of hands-on training at B-TEK, 50 online staged courses and assessments, a 65 point mentorship sheet for continued local training, (2) 45 minute check-ins, and access to our Certified Scale Technician Test. (per technician)
Certified Scale Tech / Level 2 Training Program	The level 2 training program builds upon the Apprentice Tech Training program covering: advanced troubleshooting techniques, digital truck scales, and data communications. This package includes 3.5 days of hands-on training at B-TEK, a 60 point advanced mentorship sheet for continued local training, and (2) 45 minute check-ins with one of our experts. (per technician)
Apprentice + Certified Scale Tech Programs	This includes the Apprentice Tech Mentorship and Certified Scale Tech / Level 2 Training programs. (per technician) <i>Distributor is responsible for travel expenses, lodging, and dinners. B-TEK provides transportation to and from the airport and hotel as well as lunch for all programs.</i>

ScaleSuite



ScaleSuite is a cutting-edge business management platform designed by and for the scale service industry. ScaleSuite empowers you to easily manage your customers information, scale details, technician scheduling, inventory tracking, document sharing, certificate storage and more. This user-friendly platform provides your team the ability to view and edit data from anywhere, as well as provide visibility to your customers. ScaleSuite is elevated with the ability to report on scale health and usage in real-time when combined with Nexia, B-TEK's live monitoring software.

CRM Addon:

- Prospect tracking – Organize potential projects
- Opportunity management – Track sales pipeline and won/lost projects
- Quote generation – Centrally manage pricing and maintain quote viability
- Vendor management – Track invoices and order confirmations
- Job tracking - Manage paperwork, track employee hours, generate purchase orders and more!

Checklist Addon:

- Maintain ISO certification with documented service and maintenance history
- Create and track custom procedural checklists
- Employees complete checklists through the mobile app
- Capture and submit any irregularities to management with optional photo support
- Notifications directly to management for repair and approval signoff

Scale & Customer Management

Easily manage your customer service contracts, scales, contacts, licensing, subscriptions and billing information.

Scheduling & Timecards

Easily manage service calendars, preventative maintenance contracts, service calls and technician timecards.

Intuitive Scale Service

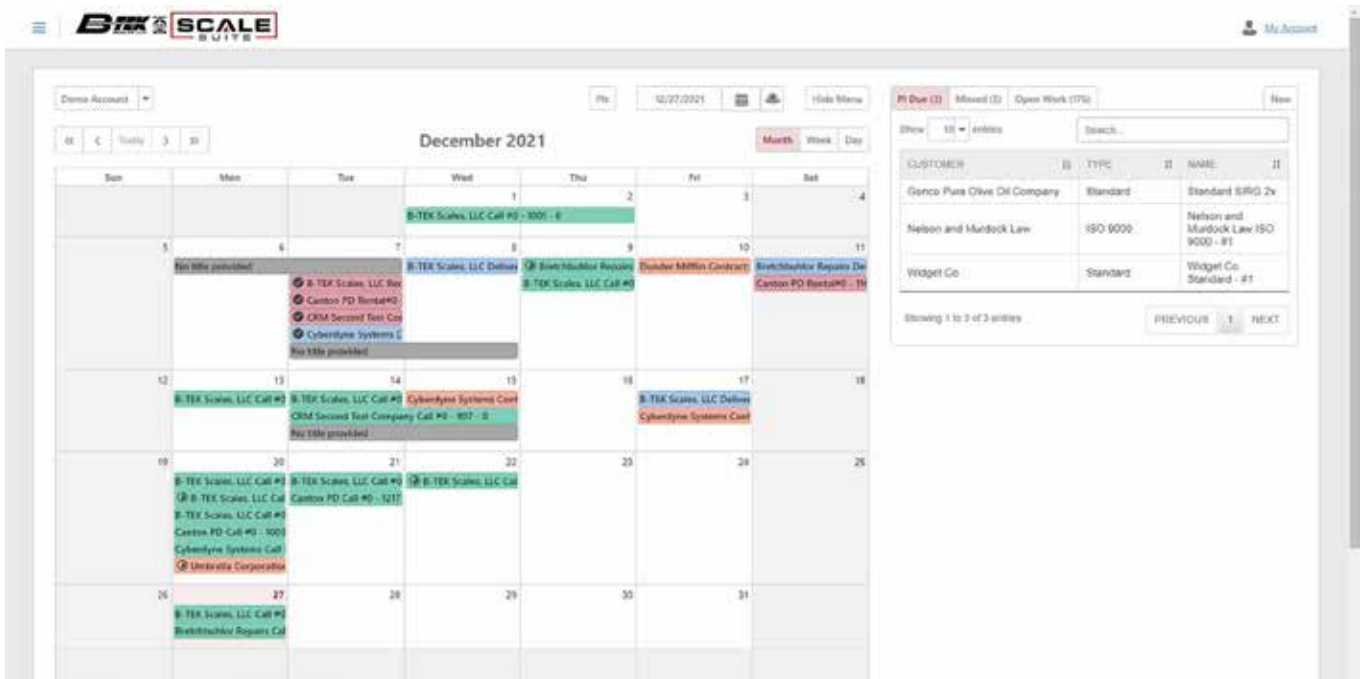
Built-in Handbook 44 compliance to help guide technicians through inspections and service using their mobile device.

Certificate Management

Secure portal for certificate and service report management, allowing access for both distributor and end-user.

Data Storage

B-TEK partners with Microsoft to ensure reliable access by backing up your data in multiple locations across the nation.



The screenshot displays the B-TEK SCALES SUIVE software interface. At the top, there is a navigation bar with the company logo, a user profile icon labeled 'My Account', and a date filter set to '12/27/2021'. Below this is a calendar view for 'December 2021'. The calendar grid shows days from Sunday to Saturday. Various colored blocks represent work items or tasks scheduled for specific dates. For example, on December 7th, there are multiple items including 'B-TEK Scales, LLC Call #0', 'Canton PD Rental#0', 'CRM Serviced Test Cal', and 'CyberHyne Systems C'. On the right side of the interface, there is a panel titled 'Due (3)', 'Missed (0)', and 'Open Work (0)'. This panel contains a table with columns for 'CUSTOMER', 'TYPE', and 'NAME'. The table lists three entries: 'Genco Plus Olive Oil Company' (Standard, Standard SRG 2v), 'Nelson and Murdoch Law' (ISO 9000, Nelson and Murdoch Law ISO 9000 - #1), and 'Widget Co' (Standard, Widget Co Standard - #1). Below the table, it indicates 'Showing 1 to 3 of 3 entries' and includes 'PREVIOUS' and 'NEXT' navigation buttons.

T401S

STANDARD FEATURES

- Stainless steel (IP66) enclosure with swivel bracket
- Backlit 7-digit LCD display, 0.5" digit
- 7-button chemical resistant polycarbonate keypad
- Easy to navigate configuration menus
- Extensive built-in diagnostic screens
- Battery backed time/date/year
- Units: pounds, kilograms, once, gram, lb/oz, custom
- Scale input digital filtering
- (2) RS-232 serial port
- (1) Ethernet: TCP/IP, DHCP, Static IP
- (3) logic level inputs
- (3) set point outputs, open collector
- NTEP COC: 16-110



TECHNICAL FEATURES

Power Requirements	90-264 VAC / 50-60 HZ line cord standard or 12-36 VDC
Power Consumption	180 mA at 12 VDC w/ (4) 350 Ohm load cells
Scale Inputs	One standard
Max Load Cells	Capable of driving (4) 350 Ohm cells or (8) 700 Ohm cells
Load Cell Power Supply	5 VDC, short circuit protected
Conversion Rate	80 Hz
Signal Input Range	-1 mV/V to 5 mV/V
Sensitivity	0.1 μ V/V minimum - 0.5 μ V/V recommended
Terminations	Detachable plug connectors w/ screws for wire termination
Operating Temperature	-10 to 40 C approved / -20 to 60 C maximum
Operating Applications	General weighing, general weighing with accumulation, check-weighing, counting, peak measurement, batching and remote display

OPTIONS

Battery Pack	<u>Internal</u> NiMH rechargeable pack, 18h one cell, 14h four cells, 5 hour charge time
Relay Interface	Set point interface enclosures and input / output modules
Ethernet Watertight Gland	Rubberized and sealed cable gland for Ethernet
DC Power Cable	Cable to attach with user supplied DC power source

T401S

Part Number	Description
825-200001	T401S Indicator, SS Enclosure, Swivel Bracket
825-250024	T401S Main Board

Part Number	Options
825-250001	Internal NiMH Battery Pack and Recharging Circuitry
825-250002	NiMH Batter Pack Only
825-250003	T401 / T403 External Agency Sealing Kit
825-250004	External Watertight Gland for Ethernet
825-250006	T401 / T403 DC Power Cable with Bare Leads and Connector (9')
825-250027	T401S Internal Power Supply
825-250048	T401 / T403 / T405 Splash Guard Vinyl Cover
825-250010	PC Based Setup Program and Tools
825-250067	T401 Internal Power Supply Switching 24VDC 20W
825-250077	T401 / T403 / T405 TB Connector Kit
825-250074	T401 Subassembly Enclosure with B-TEK Keypad
825-05-507911	T401 / T403 / T405 / T419 Indicator Bracket Knobs (Set of 2)
825-250093	TSeries Desktop AC Line Cord Kit (Cord, Conn, and Grip)
825-05-506054	Acorn Nut Kit – 100 each

Part Number	I/O Modules
825-250007	Kit, External TS-OPTO Relay Board Only - 3 Input / 3 Output for G4 Relays
825-250011	G4IDC5D - 2.5 to 28 Volt DC Input Module
825-250012	G4IDC5B - 4 to 16 Volt DC Input Module
825-250013	G4IDC5 - 10 to 32 Volt AC/DC Input Module
825-250014	G4IDC5G - 35 to 60 Volt AC/DC Input Module
825-250015	G4IAC5 - 90 to 140 Volt AC/DC Input Module
825-250016	G4IAC5A - 180 to 280 Volt AC/DC Input Module
825-250017	G4ODC5R - 0.5A SPST Normally Open Dry Contact Relay
825-250018	G4ODC5R5 - 0.5A SPST Normally Closed Dry Contact Relay
825-250019	G4ODC5 - 5 to 60 Volt DC Output Module
825-250020	G4ODC5A - 5 to 200 Volt DC Output Module
825-250021	G4OAC5 - 12 to 140 Volt AC Output Module
825-250022	G4OAC5A - 24 to 280 Volt AC Output Module
825-250023	G4OAC5A5 - 24 to 280 Volt AC Output Module (NC)

T403S / T403SP

STANDARD FEATURES

- T403S Stainless steel (IP69K) desktop enclosure with swivel bracket
- T403SP stainless panel mount enclosure
- 7-digit high contrast green on black display, 0.8" digit
- 24-button chemical resistant polycarbonate keypad
- Easy to navigate configuration menus
- Extensive built-in diagnostic screens
- Battery backed time/date/year
- Units: pounds, kilograms, once, gram, lb/oz, custom
- Scale input digital filtering
- (2) RS-232 serial port
- (1) Ethernet: TCP/IP, Ethernet IP, Modbus/TCP
- (1) USB Host: printer, flash memory
- (3) logic level inputs
- (3) set point outputs, open collector
- NTEP COC: 16-111



TECHNICAL FEATURES

Power Requirements	Desktop: 90-264 VAC / 50-60 HZ power cord standard or 12-36 VDC Panel Mount: No internal AC power supply - 12-36 VDC supplied from external source
Power Consumption	200 mA at 12 VDC w/ (1) 350 Ohm load cells 250 mA at 12 VDC w/ (6) 350 Ohm load cells
Scale Inputs	One standard
Max Load Cells	Capable of driving (6) 350 Ohm cells or (12) 700 Ohm cells
Load Cell Power Supply	5 VDC, short circuit protected
Conversion Rate	80 Hz
Signal Input Range	-1 mV/V to 5 mV/V
Sensitivity	0.1 μ V/V minimum - 0.5 μ V/V recommended
Terminations	Detachable plug connectors w/ screws for wire termination
Operating Temperature	-10 to 40 C approved / -20 to 60 C maximum
Operating Applications	General weighing, general weighing with accumulation, checkweighing, counting, peak measurement, batching, and remote display - see user guide for full descriptions

OPTIONS

Battery Pack	Attachable <u>external</u> D battery enclosure, 12h one cell, 11h four cells
Relay Interface	Set point interface enclosures and input / output modules
Analog Output Card	0-5 VDC, 0-10 VDC, and 4-20 mA
Current Loop Card	Current loop and RS-485 / RS-422
USB Device Card	USB interface to PC (not for USB keyboard)
Wireless Ethernet Card	Internal 802.11 b/g wireless kit w/ antenna
USB Watertight Gland	Rubberized and sealed cable gland for USB
Ethernet Watertight Gland	Rubberized and sealed cable gland for Ethernet
DC Power Cable	Cable to attach with user supplied DC power source

T403S / T403SP

Part Number	Description
825-200003	T403S Indicator, SS Enclosure, Swivel Bracket
825-200006	T403SP Indicator, Panel Mount, DC Power (Ext Power Supply 825-250078)
825-250035	T403S/SP Main Board

Part Number	Options
825-250028	T403 / T405 / T419 Analog Output Option Card 4-20mA, 0-10V, 0-5V
825-250029	T403 / T405 / T419 Current Loop, RS-485 / RS-422 Option Card
825-250030	T403 / T405 / T416 USB Device Option Card
825-250031	T403 / T405 / T419 Wireless Ethernet Option Card - 802.11abgn Module with Antenna
825-250032	T403 / T405 / T419 Internal 120 VAC Relay Option Card (IP69K enclosure only)
825-250033	T403 / T405 External D Battery Enclosure (batteries not included)
825-250034	T403 / T405 / T419 USB Watertight Cable Gland
825-250004	T-Series Ethernet Watertight Cable Gland
825-250003	T-Series External Agency Sealing Kit - 2 Acorn Nuts w/stickers
825-250048	T401 / T403 / T405 Splash Guard Vinyl Cover
825-250010	PC Based Setup Program and Tools
825-250078	T403 / T405 / T419 External PS Module - DC Output (panel mount only)
825-250077	T401 / T403 / T405 TB Connector Kit
825-250038	T403 / T405 Internal Power Supply Board Kit
825-05-507911	T401 / T403 / T405 / T419 Indicator Bracket Knobs (Set of 2)
825-250075	T403S Desktop Subassembly Enclosure with B-TEK Keypad
825-250037	T403S Panel Mount Keypad Overlay
825-250036	T403 Display Board (Requires 825-250070 Segment) Board only w/o Segment
825-250070	T403 Display IBN Segment Only
825-250060	OPTO ISO 12-140 @ 3A for 16 POS I/O's
825-250093	TSeries Desktop AC Line Cord Kit (Cord, Conn, and Grip)
825-05-506054	Acorn Nut Kit – 100 each

Part Number	OPTO I/O Modules
825-250007	Kit, External TS-OPTO Relay Board Only - 3 Input / 3 Output for G4 Relays
825-250085	T-Series Option Enclosure (Stainless)
825-250011	G4IDC5D - 2.5 to 28 Volt DC Input Module
825-250012	G4IDC5B - 4 to 16 Volt DC Input Module
825-250013	G4IDC5 - 10 to 32 Volt AC/DC Input Module
825-250014	G4IDC5G - 35 to 60 Volt AC/DC Input Module
825-250015	G4IAC5 - 90 to 140 Volt AC/DC Input Module
825-250016	G4IAC5A - 180 to 280 Volt AC/DC Input Module
825-250017	G4ODC5R - 0.5A SPST Normally Open Dry Contact Relay
825-250018	G4ODC5R5 - 0.5A SPST Normally Closed Dry Contact Relay
825-250019	G4ODC5 - 5 to 60 Volt DC Output Module
825-250020	G4ODC5A - 5 to 200 Volt DC Output Module
825-250021	G4OAC5 - 12 to 140 Volt AC Output Module
825-250022	G4OAC5A - 24 to 280 Volt AC Output Module
825-250023	G4OAC5A5 - 24 to 280 Volt AC Output Module (NC)

T405S / T405SP

STANDARD FEATURES

- Freely programmable via LUA and GSE macro script
- T405S stainless steel (IP69K) desktop enclosure with swivel bracket
- T405SP stainless panel mount enclosure
- 7-digit (0.8") display w/ 3 line x 6 character graphic array
- 24-button keypad w/ audible confirmation of press
- Easy to navigate configuration menus
- Extensive built-in diagnostic screens
- Battery backed time/date/year
- Units: pounds, kilograms, ounce, gram, lb/oz, custom
- Scale input digital filtering
- (2) RS-232 serial port
- (1) Ethernet: TCP/IP, Ethernet IP, Modbus/TCP
- (1) USB host: printer, flash memory, keyboard
- (3) logic level inputs
- (3) set point outputs, open collector
- (16) external I/O via optional interface
- NTEP COC: 16-112



TECHNICAL FEATURES

Power Requirements	90-264 VAC / 50-60 HZ line cord standard or 12-36 VDC
Power Consumption	Panel Mount: No internal AC power supply - 12-36 VDC supplied from external source 250 mA at 12 VDC w/ (1) 350 Ohm load cell 600 mA at 12 VDC with (14) 350 Ohm load cells
Scale Inputs	One standard and second scale input option card
Max Load Cells	Capable of driving (16) 350 Ohm cells or (32) 700 Ohm cells
Load Cell Power Supply	10 VDC (+/- 5 VDC), short circuit protected
Conversion Rate	100 Hz
Signal Input Range	-1 mV/V to 5 mV/V
Sensitivity	0.1 μ V/V minimum - 0.5 μ V/V recommended
Terminations	Detachable plug connectors w/ screws for wire termination
Operating Temperature	-10 to 40 C approved / -20 to 60 C maximum
Operating Applications	General weighing, general weighing with accumulation, checkweighing, counting, peak measurement, batching, remote display, and freely programmable application programs via LUA and GSE Macro script

OPTIONS

Battery Pack	Attachable <u>external</u> D battery enclosure, 12h one cell, 11h four cells
Relay Interface	Set point interface enclosures and input / output modules
Analog Output Card	0-5 VDC, 0-10 VDC and 4-20 mA
Current Loop Card	Current loop and RS-485 / RS-422
USB Device Card	USB interface to PC
Wireless Ethernet Card	Internal 802.11b/g wireless kit w/antenna
Internal Relay	Internal 120 VAC relay module
Second Scale Input	Scale input w/ 5 VDC excitation
Second Scale Input	Scale input w/ 10 VDC excitation w/ surge protection
Relay Kit	Internal (4) relay, 3-60 VDC @ 2A output
Relay Kit	Internal (4) relay, 20-240 VAC @ 1A output
Relay Kit	Internal (4) relay, 4-30 VDC input
Relay Kit	Internal (4) relay, 120-240 VAC input
Surge Voltage Kit	Severe transient voltage suppressor (SVTS)
USB Watertight	Gland Rubberized and sealed cable gland for USB
Ethernet Watertight	Gland Rubberized and sealed cable gland for Ethernet
DC Power Cable	Cable to attach with user supplied DC power source
Profibus	Profibus module
DeviceNet	DeviceNet module

T405S / T405SP

Part Number	Description
825-200005	T405S Indicator, SS Enclosure, Desktop Swivel Bracket
825-200007	T405SP Indicator, Panel Mount, DC Power (External Power Supply 825-250078)
825-250050	T405S/SP Main Board Replacement
Part Number	Options
825-250028	T403 / T405 / T419 Analog Output Option Card 4-20mA, 0-10V, 0-5V
825-250029	T403 / T405 / T419 Current Loop, RS-485 / RS-422 Option Card
825-250030	T403 / T405 / T419 USB Device Option Card
825-250031	T403 / T405 / T419 Wireless Ethernet Option Card - 802.11abgn Module with Antenna
825-250032	T403 / T405 / T419 Internal 120 VAC Relay Opt Card (IP69K enclosure only)
825-250039	T405 / T419 Second Scale Input Option Card (5V Ex)
825-250040	T405 / T419 Second Scale Input Option Card (10V Ex) w/ STVS
825-250048	T401 / T403 / T405 Splash Guard Vinyl Cover
825-250033	T403 / T405 External D Battery Enclosure (batteries not included)
825-250034	T403 / T405 USB Watertight Cable Gland
825-250004	T-Series Ethernet Watertight Cable Gland
825-250078	T403 / T405 / T419 External PS Module - DC Output (panel mount only)
825-250049	T405 Severe transient voltage suppressor (SVTS)
825-250003	T-Series External Agency Sealing Kit
825-250010	PC Based Setup Program and Tools
825-250055	T405 / T419 Profibus Interface Option Card
825-250056	T405 / T419 Device Net Interface Option Card
825-250057	T405 / T419 RS-232 Serial Expansion Board (Programmed)
825-250082	T405S / T419S Barrier Box, Assembled
825-250077	T401 / T403 / T405 TB Connector Kit
825-250038	T403 / T405 Internal Power Supply Board Kit
825-05-507911	T401 / T403 / T405 / T419 Indicator Bracket Knobs (Set of 2)
825-250076	T405 Desktop Subassembly Enclosure with B-TEK Keypad
825-250052	T405 Panel Mount Keypad Overlay
825-250072	T405S Display - Segment Only
825-250073	T405S Display Board (requires 825-250072)
825-250093	TSeries Desktop AC Line Cord Kit (Cord, Conn, and Grip)
825-05-506054	Acorn Nut Kit – 100 each

T405S / T405SP

Part Number SSCU-8 I/O Board - Enclosures - Modules

825-250007	Kit, External TS-OPTO Relay Board Only - 3 Input / 3 Output for G4 Relays
825-250085	T-Series Option Enclosure (Stainless)
825-250045	T405 / T419 External I/O Interface Board
825-250053	T405 / T419 SSCU-8 Board Only (requires 825-250045)

Relays

825-250011	G4IDC5D	- 2.5 to 28 Volt DC Input Module
825-250012	G4IDC5B	- 4 to 16 Volt DC Input Module
825-250013	G4IDC5	- 10 to 32 Volt AC/DC Input Module
825-250014	G4IDC5G	- 35 to 60 Volt AC/DC Input Module
825-250015	G4IAC5	- 90 to 140 Volt AC/DC Input Module
825-250016	G4IAC5A	- 180 to 280 Volt AC/DC Input Module
825-250017	G4ODC5R	- 0.5A SPST Normally Open Dry Contact Relay
825-250018	G4ODC5R5	- 0.5A SPST Normally Closed Dry Contact Relay
825-250019	G4ODC5	- 5 to 60 Volt DC Output Module
825-250020	G4ODC5A	- 5 to 200 Volt DC Output Module
825-250021	G4OAC5	- 12 to 140 Volt AC Output Module (NO)
825-250022	G4OAC5A	- 24 to 280 Volt AC Output Module (NO)
825-250023	G4OAC5A5	- 24 to 280 Volt AC Output Module (NC)
825-250041	T405 / T419 Internal (4) Relay, 3-60 VDC @ 2A Output Option Card	
825-250042	T405 / T419 Internal (4) Relay, 20-240 VAC @ 1A Output Option Card	
825-250043	T405 / T419 Internal (4) Relay, 4-30 VDC Input Option Card	
825-250044	T405 / T419 Internal (4) Relay, 120-240 VAC Input Option Card	
825-250060	T-Series OPTO Isolator 12-140 VAC @ 3A for 16 position board	

Part Number 16 Position I/O Board - Enclosures - Modules

825-250045	T405 / T419 External I/O Interface Board
825-250046	T405 / T419 (16) Position I/O Board Only (requires 825-250045 and 825-250047)
825-250087	T405 / T419 (16) Position I/O Board - 18" Interconnect Cable
825-250086	T405 / T419 (16) Position I/O Board - 36" Interconnect Cable
825-250047	T405 / T419 (16) Position I/O Board - 60" Interconnect Cable

T419S / T419SP

STANDARD FEATURES

- Freely programmable via LUA and GSE Macro script
- T419S stainless (IP69K) desktop enclosure with swivel bracket
- T419SP stainless panel mount enclosure
- 320 x 160 wide angle, high brightness graphic display
- 29-button keypad w/ audible confirmation of press
- Easy to navigate configuration menus
- Extensive built-in self diagnostics
- Battery backed time/date/year
- Units: pounds, kilograms, once, gram, lb/oz, ton, custom
- Scale input digital filtering
- (3) RS-232 serial ports
- (1) Ethernet: TCP/IP, Ethernet IP, Modbus/TCP
- (2) USB Host: printer, flash memory, keyboard
- (3) logic level inputs
- (3) set point outputs, open collector
- (16) external I/O via optional interface
- NTEP COC: 16-112



TECHNICAL FEATURES

Power Requirements	90-264VAC / 50-60HZ power cord standard or 12-36 VDC Panel Mount: No internal AC power supply - 12-36 VDC supplied from external source
Power Consumption	300 mA @ 12 VDC w/ (1) 350 Ohm load cell 650 mA @ 12 VDC w/ (14) 350 Ohm load cells
Scale Inputs	One standard and up to four more scale input option card - five total scale inputs possible
Max Load Cells	Capable of driving (32) 350 Ohm cells or (64) 700 Ohm cells
Load Cell Power Supply	10 VDC (+/- 5 VDC), short circuit protected
Conversion Rate	100 Hz
Signal Input Range	-1 mV/V to 5 mV/V
Sensitivity	0.1 μ V/V minimum - 0.5 μ V/V recommended
Terminations	Detachable plug connectors w/ screws for wire termination
Operating Temperature	-10 to 40 C approved / -20 to 60 C maximum
Operating Applications	General weighing and freely programmable application programs via LUA and GSE Macro script

OPTIONS

Relay Interface	Set point interface enclosures and input / output modules
Analog Output Card	0-5 VDC, 0-10 VDC and 4-20 mA
Current Loop Card	Current loop and RS-485 / RS-422
USB Device Card	USB interface to PC
Wireless Ethernet Card	Internal 802.11b/g wireless kit w/antenna
Internal Relay	Internal 120 VAC relay module
Multi-Scale Input	Scale input card w/ 5 VDC excitation
Multi-Scale Input	Scale input card w/ 10 VDC excitation w/ surge protection
Relay Kit	Internal (4) relay, 3-60 VDC @ 2A output
Relay Kit	Internal (4) relay, 20-240 VAC @ 1A output
Relay Kit	Internal (4) relay, 4-30 VDC input
Relay Kit	Internal (4) relay, 120-240 VAC input
Surge Voltage Kit	Severe transient voltage suppressor (SVTS)
USB Watertight Gland	Rubberized and sealed cable gland for USB
Ethernet Watertight Gland	Rubberized and sealed cable gland for Ethernet
DC Power Cable	Cable to attach with user supplied DC power source
Profibus	Profibus module
DeviceNet	DeviceNet module

T419S / T419SP

Part Number	Description
825-200019	T419S Indicator, SS Enclosure, Desktop Swivel Bracket
825-200519	T419SP Indicator, Panel Mount, DC Power (Ext Power Supply 825-250078)
825-250094	T419 / T419SP Main Board Programmed
Part Number	Options
825-250028	T403 / T405 / T419 Analog Output Option Card 4-20mA, 0-10V, 0-5V
825-250029	T403 / T405 / T419 Current Loop, RS-485 / RS-422 Option Card
825-250030	T403 / T405 / T419 USB Device Option Card
825-250031	T403 / T405 / T419 Wireless Ethernet Option Card - 802.11abgn Module with Antenna
825-250032	T403 / T405 / T419 Internal 120 VAC Relay Card (IP69K enclosure only)
825-250038	T403-T405/T419 INTERNAL POWER SUPPLY BOARD KIT
825-250039	T405 / T419 Multi-Scale Input Option Card (5V Ex)
825-250040	T405 / T419 Multi-Scale Input Option Card (10V Ex) w/ STVS
825-250041	T405 / T419 Internal (4) Relay, 3-60 VDC @ 2A Output Option Card
825-250042	T405 / T419 Internal (4) Relay, 20-240 VAC @ 1A Output Option Card
825-250043	T405 / T419 Internal (4) Relay, 4-30 VDC Input Option Card
825-250044	T405 / T419 Internal (4) Relay, 120-240 VAC Input Option Card
825-250034	T403 / T405 / T419 USB Watertight Cable Gland
825-250004	T-Series Ethernet Watertight Cable Gland
825-250078	T403 / T405 / T419 External PS Module - DC Output (panel mount only)
825-250049	T405 / T419 Severe transient voltage suppressor (SVTS)
825-250003	T-Series External Agency Sealing Kit
825-250010	PC Based Setup Program and Tools
825-250055	T405 / T419 Profibus Interface Option Card
825-250056	T405 / T419 Device Net Interface Option Card
825-250057	T405 / T419 RS-232 Serial Expansion Board (Programmed)
825-250082	T405S / T419S Barrier Box, Assembled
825-05-507911	T401 / T403 / T405 / T419 Indicator Bracket Knobs (Set of 2)
825-05-508865	T419 Large Enclosure Bracket Stand without Knobs
825-250091	T419 Desktop Gasket (Rear)
825-250092	T419 Panel Mount Gasket Kit (Front)
825-250093	TSeries Desktop AC Line Cord Kit (Cord, Conn, and Grip)
825-250093	TSeries Desktop AC Line Cord Kit (Cord, Conn, and Grip)
825-05-508866	T419SST Acorn Nut Kit – 100 each
825-250095	PDIO Option (PWM, Pulse Counting, SCR Module Control)
825-05-509308	T419S Desktop Subassembly Encl w/BTEK Keypad
825-05-509309	T419S Panel Mount Front Frame & BTEK Keypad

T419S / T419SP

Part Number	SSCU-8 I/O Board - OPTO I/O Board - Enclosures - Modules
825-250007	Kit, External TS-OPTO Relay Board Only - 3 Input / 3 Output for G4 Relays
825-250085	TS-OPTO Relay Board Enclosure (Stainless)
825-250045	T405 / T419 External I/O Interface Board
825-250053	T405 / T419 SSCU-8 Board Only (requires 825-250045)
Relays	
825-250011	G4IDC5D - 2.5 to 28 Volt DC Input Module
825-250012	G4IDC5B - 4 to 16 Volt DC Input Module
825-250013	G4IDC5 - 10 to 32 Volt AC/DC Input Module
825-250014	G4IDC5G - 35 to 60 Volt AC/DC Input Module
825-250015	G4IAC5 - 90 to 140 Volt AC/DC Input Module
825-250016	G4IAC5A - 180 to 280 Volt AC/DC Input Module
825-250017	G4ODC5R - 0.5A SPST Normally Open Dry Contact Relay
825-250018	G4ODC5R5 - 0.5A SPST Normally Closed Dry Contact Relay
825-250019	G4ODC5 - 5 to 60 Volt DC Output Module
825-250020	G4ODC5A - 5 to 200 Volt DC Output Module
825-250021	G4OAC5 - 12 to 140 Volt AC Output Module (NO)
825-250022	G4OAC5A - 24 to 280 Volt AC Output Module (NO)
825-250023	G4OAC5A5 - 24 to 280 Volt AC Output Module (NC)
Part Number	16 Position I/O Board - Enclosures - Modules
825-250045	T405 / T419 External I/O Interface Board
825-250046	T405 / T419 (16) Position I/O Board Only (requires 825-250045 and 825-250047)
825-250087	T405 / T419 (16) Position I/O Board - 18" Interconnect Cable
825-250086	T405 / T419 (16) Position I/O Board - 36" Interconnect Cable
825-250047	T405 / T419 (16) Position I/O Board - 60" Interconnect Cable

T503W - Impact / Waterproof

- NTEP COC: 11-093
- Capacitive touch keys
- Programmable function key
- Large 0.8" LCD segments
- Configurable White LED backlit display
- Extremely durable (PBT) Polyester alloy enclosure
- Waterproof, IP68 and IP69K rated enclosure
- 5V excitation powers up to (4) 350Ω cells
- Built-in clock / calendar
- (1) duplex RS-232 port
- Peak-hold function
- Parts counting mode
- Check-weigh function with tri-color LED
- (1) input & (3) isolated outputs
- Simple menu navigation and configuration
- PC configurable from front panel with optical cable
- Configurable print format



Indicator includes: AC line cord and stainless swivel bracket

Part Number	Description
822-200000 KIT	T503W - 110-240 VAC internal power supply and swivel bracket
822-200004 KIT	T503W - 12 VDC battery powered indicator and swivel bracket

Part Number	Parts
822-200001	Stainless steel swivel bracket
822-200005	Battery charger - AC wall adapter for T503W with internal battery
822-200007	T503W NiMH Replacement Battery Pack
822-200009	T503W Overlay
822-200022	T503W AC Power US Line Cord 3-Pin New Style
822-200023	T503W AC PSU Rear Shell with Line Cord
822-200016	T503W M6 Knobs for Stainless Steel Stand (includes washers)
825-250093	TSeries Desktop AC Line Cord Kit (Cord, Conn, and Grip)

Indicators

BWS - Battery Powered

- NTEP COC: 12-091
- EXTRA LARGE 2" LCD digits
- White LED backlit display
- Durable stainless steel enclosure
- Powers up to (4) 350Ω cells
- Sealed lead-acid battery—6V / 4Ah
- 90-hour typical single cell battery operation
- (1) RS-232 port
- Weight accumulation function
- Check-weigh function with front panel LEDs
- Simple menu navigation and configuration
- Homerun (20') cable with connector attached



Indicator includes: AC line cord powered, swivel bracket and built-in rechargeable battery, 20' homerun cable

Part Number	Description
899-300024	BWS - Indicator Kit
Part Number	Replacement Parts
899-300041	BWS Homerun Cable - 20' Length w/ Attached 9-Pin Connector
899-300085	BWS Main Board w/ Connectors
899-300022	Replacement Battery - C100 Counting Scale & BWS Indicator
899-300086	BWS Keypad Overlay
899-300087	BWS RS-232 Board w/ Connectors

T104P

- NTEP COC: 22-110
- Canadian approval: AM:6206
- Compliance Marks: CSA, CE, WEEE, RoHS
- FCC Part 15 Class A; Canada ICES-003 Class A; IEC/EN 61326-1 Class B, basic environments
- UL61010-1; CAN/CSA C22.2 61010-1IEC/ EN 61010-1
- 6-digit, 7-segment LCD display with multi-color backlight, 45 mm / 1.8 in high digits
- T104P ABS IP54 / Nema 3S ingress rating
- T104S 304 Stainless Steel IP66 / Nema 4 Ingress Rating
- Wear resistant display panel overlay - 4 membrane function keys
- Up to 6 x 350 ohm load cells
- 1:6,000 Class III/IIIL NTEP and Class III/IIHD Measurement Canada
- Maximum displayed resolution 30,000 counts
- Internal resolution 68,500 counts per mV/V per second
- Capacity selections up to 99,999 g/kg/lb/t
- Weight units g, kg, lb, oz, lb:oz, metric tonnes
- 5VDC excitation voltage
- 100-240 VAC / 50/60 Hz Universal Power Supply
- Rechargeable lead-acid battery, up to 100 hours continuous use with backlight off
- RS232 serial data port for printer or PC connection included
- Configuration and print template software
- Optional second port USB Device or TCP/IP Ethernet
- Easy to use and set up with improved calibration procedure
- Software includes built in scale diagnostics
- M12 IP68 Load cell connector with field wireable connector or screw terminal wiring



Indicator includes: Wall plug AC adapter, swivel bracket and built-in rechargeable battery

Part Number	Description
821-700001	T104P - Indicator Kit

Part Number	Parts
821-750020	T104 TCP/IP Ethernet Option
821-750021	T104 USB Device Port Option
861-000010	Male Sensorlink Cable - 20 Feet
861-000030	Male Sensorlink Cable - 50 Feet
899-100280	DB9 Male / Female Serial Cables
100-161138-KIT-1	DuraShield Universal Indicator Column - Powder Coat
100-161138-KIT	AquaShield Universal Indicator Column - Stainless

T104S

- NTEP COC: 22-110
- Canadian approval: AM:6206
- Compliance Marks: CSA, CE, WEEE, RoHS
- FCC Part 15 Class A; Canada ICES-003 Class A; IEC/EN 61326-1 Class B, basic environments
- UL61010-1; CAN/CSA C22.2 61010-1IEC/ EN 61010-1
- 6-digit, 7-segment LCD display with multi-color backlight, 45 mm / 1.8 in high digits
- T104P ABS IP54 / Nema 3S ingress rating
- T104S 304 Stainless Steel IP66 / Nema 4 Ingress Rating
- Wear resistant display panel overlay - 4 membrane function keys
- Up to 6 x 350 ohm load cells
- 1:6,000 Class III/IIIL NTEP and Class III/IIHD Measurement Canada
- Maximum displayed resolution 30,000 counts
- Internal resolution 68,500 counts per mV/V per second
- Capacity selections up to 99,999 g/kg/lb/t
- Weight units g, kg, lb, oz, lb:oz, metric tonnes
- 5VDC excitation voltage
- 100-240 VAC / 50/60 Hz Universal Power Supply
- Rechargeable lead-acid battery, up to 100 hours continuous use with backlight off
- RS232 serial data port for printer or PC connection included
- Configuration and print template software
- Optional second port USB Device or TCP/IP Ethernet
- Easy to use and set up with improved calibration procedure
- Software includes built in scale diagnostics
- M12 IP68 Load cell connector with field wireable connector or screw terminal wiring



Indicator includes: Wall plug AC adapter, swivel bracket and built-in rechargeable battery

Part Number	Description
821-800002	T104S - Indicator Kit

Part Number	Parts
821-750020	T104 TCP/IP Ethernet Option
821-750021	T104 USB Device Port Option
861-000010	Male Sensorlink Cable - 20 Feet
861-000030	Male Sensorlink Cable - 50 Feet
899-100280	DB9 Male / Female Serial Cables
100-161138-KIT-1	DuraShield Universal Indicator Column - Powder Coat
100-161138-KIT	AquaShield Universal Indicator Column - Stainless

Indicators

D70ES

- NTEP COC: 17-010
- Canadian Approval: AM-6054C
- Large 0.8" LED display
- Stainless IP66 enclosure
- 110-240 VAC powered
- Full numeric keypad w/ (9) function keys
- Powers up to (12) 350Ω / (24) 700Ω cells
- Programmable serial output string
- Secondary measurement unit
- Time and date
- (1) RS-232 serial port
- (1) RS-232 / RS-422 / Current Loop
- Application programs
 - Truck In/Out (300 Truck Storage)
 - Peak Hold
 - Totalization
 - Primary / Remote Display



Part Number	Description
899-100166	D70ES - Indicator Package

Part Number	Parts
899-100173	D70ES Main Board
899-100174	D70ES Display Board
899-100117	DD1010i/DD700i/D70ES Internal Power Supply
899-100175	D70ES Analog Output Option Card 0-10VDC / 4-20MA
899-100176	D70ES 4-In / 4-Out I/O Exp Card
899-100177	D70ES TCP/IP Ethernet Exp Card
899-100178	D70ES Front Enclosure w/ Keypad

Indicators

D410 / D450 / D800



COC: 03-066



D410/450/800 Indicators have been replaced by the DD700. Please refer to the DD700 pages.

Part Number	Options
899-100018	D410 Stainless Steel Wall Mount Bracket
899-100019	D410 Stainless Steel Tilted Desktop Stand
899-100008	D450 Stainless Steel Tilted Desktop Stand
899-100032	Dialogik Indicator Ethernet Card
899-100014	Dialogik Indicator RS-232 / RS-422 / RS-485 Serial Port Card
899-350004	Dialogik Indicator (4) Input / (4) Output Card
899-350003	Dialogik Indicator Memory Expansion Card
877-000232	RS-232 In-line Surge Protection - Cylix DB9 RS-232
877-000422	RS-485 In-line Surge Protection - Cylix DB9 RS-485

Part Number	Replacement Parts
899-341000	D410 Main Board
899-345000	D450 Main Board
899-380000	D800 Main Board
899-341001	D410 Keypad / Overlay
899-345002	D450 Keypad / Overlay (complete with front panel)
899-380001	D800 Keypad / Overlay (complete with front panel)
899-341002	D410 / D450 LCD Display Board
899-380002	D800 / SELF800 LCD Display Board
899-350000	D410 / D800 Power Supply 110 VAC
899-100102	D410 Power Supply 12/24 VDC
899-345001	D450 Power Supply 110 VAC
899-350001	Dialogik Indicator <u>ANALOG</u> Load Cell Input Module
899-350002	Dialogik Indicator <u>DIGITAL</u> Load Cell Input Module

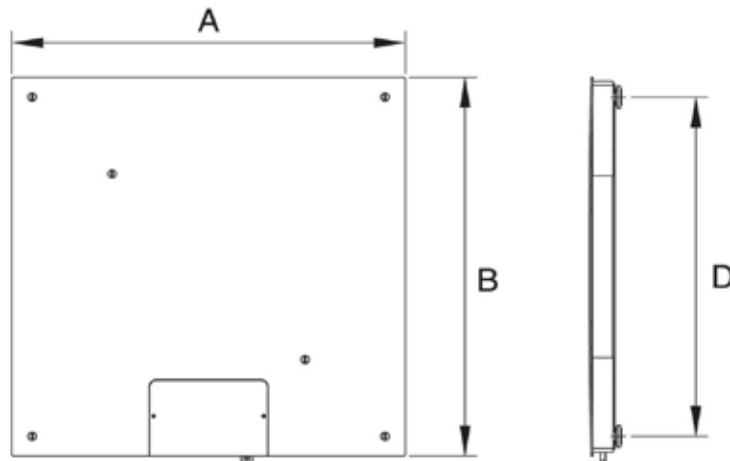
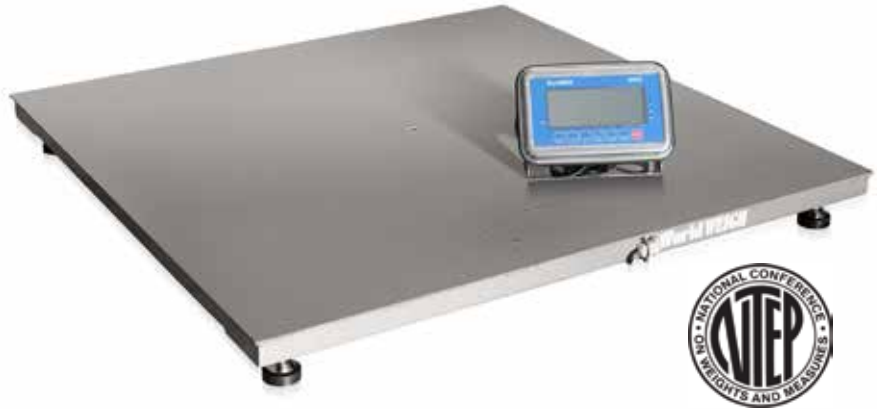
WorldWEIGH Floor Scale



4x4 Floor Scale with BWS Indicator

GENERAL SPECIFICATIONS

- NTEP COC: 13-001
- Factory Calibrated 5000 x 1 lb
- 4.5" nominal scale height
- Tread plate deck
- Top access stainless steel junction box
- (4) 2,500 lb load cells
- 2-1/2" diameter swivel base leveling feet
- Threaded plug for deck foot / lift eye holes
- (2) lifting eyes
- 14' poly coated metal braided sheathed cat with DB-9 connector for indicator
- Formed channel construction
- Gray epoxy paint
- NTEP Approved: COC 12-091
- BWS indicator durable stainless steel housing
- Backlit 2" tall LCD display
- Units: kg, lb
- AC line cord / Built-in rechargeable battery
- 30-hour typical battery operation
- (1) RS-232 serial port
- Simple menu navigation and configuration
- IP65 water resistance rating

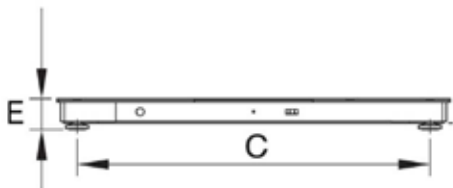


Actual Dimensions

A	47.25"
B	47.25"
C	43.15"
D	43.15"
E	4.5"

Ship Weight

Single Unit	300 lb
Three Unit	850 lb



WorldWEIGH Floor Scale



4x4 Floor Scale with BWS Indicator

Part Number	Description
899-300055	WW-4848-5K-FC w/ BWS Indicator
Ramps and Bump Guards	
899-300128	48" x 36" Tread plate mild steel ramp w/foot retaining plates
899-300129	48" x 48" Tread plate mild steel ramp w/foot retaining plates
899-300130	48" Bump guard with foot retaining plates
Part Number	Replacement Parts
899-300056	WW-4848 Floor scale leveling foot
899-300057	WW-4848 Floor scale 2K load cell
899-300104	WW-4848 Floor scale 2.5K load cell
899-300058	WW-4848 Stainless steel junction box & summing board
899-300059	WW-4848 Floor scale 4-cell summing board
899-300060	14' Poly coated metal braid cable with DB-9 connector
899-300061	M16 lifting eye bolt
899-300062	1/2-20 Fine thread 2" mounting bolt for load cell each
899-300063	Rubber grommet for homerun cable exit
899-300093	M16-2.0 threaded core plug WW floor scale

4 Square

Carbon Steel Floor Scale



GENERAL SPECIFICATIONS

- Certificate of Conformance: 94-092A4
- Type: Above ground or pit
- Scale Capacity: 5,000 lb
- End Load Capacity: 150%
- Scale Height: 3-1/2" nominal, adjustable
- Available Sizes: 4' x 4'
- Weighbridge: 3/16" carbon steel tread plate decking with formed channel sub-structure
- Deck: Top access junction box, threaded lifting eye bolt hole in platform center
- Paint System: Alkyd Enamel
- Load Cell: (4) 4,000 lb, plated alloy steel, 350 Ohms, 3.0 mV/V cells
- Leveling foot: B-TEK Level-Flex rubber feet - 2.5" diameter base
- Junction Box: NEMA 4 fiberglass reinforced plastic (FRP) box with signal trim summing board
- Accessories: Ramps, bump-guard, floor mounting plates
- Warranty: 1-Year on weighbridge steel structure, load cells, junction box and summing board



4 Square

Carbon Steel Floor Scale

Part Number	Model
910-1000	BT-FC-4848-5-4S
Ramps & Bump Guards	
917-1000	48" x 36" carbon steel ramp w/ foot retainer plates
917-1001	48" x 48" carbon steel ramp w/ foot retainer plates
917-1100	48" long carbon steel bump guard w/ foot retainer plates
Pit Frame	
918-1100	48" x 48" carbon steel pit frame - 4-Square
Packages	
910-1000-BWS	BT-FC-4848-5-4S-BWS 48" x 48" CS FS - 5000 lb and BWS Indicator Includes: Floor scale, indicator, factory calibration
910-1000-T103P	BT-FC-4848-5-4S-T103P 48" x 48" CS FS - 5000 lb and T103P Indicator Includes: Floor scale, indicator, 18' Quick disconnect cable, factory calibration
910-1000-T103SB	BT-FC-4848-5-4S-T103SB 48" x 48" CS FS - 5000 lb and T103SB Indicator Includes: Floor scale, indicator, 18' Quick disconnect cable, factory calibration
910-1000-T401S	BT-FC-4848-5-4S-T401S 48" x 48" CS FS - 5000 lb and T401S Indicator Includes: Floor scale, indicator, 18' Quick disconnect cable, factory calibration
910-1000-T403S	BT-FC-4848-5-4S-T403S 48" x 48" CS FS - 5000 lb and T403S Indicator Includes: Floor scale, indicator, 18' Quick disconnect cable, factory calibration

Clydesdale

Carbon Steel Floor Scale



GENERAL SPECIFICATIONS

- Certificate of Conformance: 94-092A4
- Type: Above ground or pit
- Scale Capacity:
 - 500 x 0.1 lb
 - 1,000 x 0.2 lb
 - 2,500 x 0.5 lb
 - 5,000 x 1 lb
 - 10,000 x 2 lb
 - 20,000 x 5 lb
- Scale Height:
 - 4-3/8" nominal (500 - 10K-SE) adjustable
 - 5-3/8" nominal (10K-LE - 20K) adjustable
- Available Sizes:
 - 2' x 2' - 8' x 10' - NTEP Approved Sizes
 - **Any custom size platform available - 18" x 18" to 10' x 10'**
- Weighbridge:
 - 1/4" carbon steel tread plate with formed channel sub-structure (2.5K - 10K-SE)
 - 3/8" carbon steel tread plate with structural channel sub-structure (10K-LE & 20K)
- Deck:
 - Top access junction box, leveling foot adjustment holes
 - Threaded lifting eye bolt holes: 5/8"-11 eyebolt
- Paint System: Alkyd Enamel
- Load Cell:
 - Plated alloy steel, 350 Ohms, 3.0 mV/V, **FM Approved**
 - 500 lb capacity: (4) 250 lb cells
 - 1,000 lb capacity: (4) 500 lb cells
 - 2,500 lb capacity: (4) 1,000 lb cells
 - 5,000 lb capacity: (4) 4,000 lb cells standard in Clydesdale
 - 10,000 lb SE capacity: (4) 5,000 lb cells (small envelope)
 - 10,000 lb LE capacity: (4) 5,000 lb cells (large envelope)
 - 20,000 lb capacity: (4) 10,000 lb cells
 - Optional Stainless Steel cells are available for capacities of 1,000 lb and above**
- Leveling foot: B-TEK stainless steel ball encapsulated foot
- Junction Box: NEMA 4 fiberglass reinforced plastic (FRP) with signal trim summing board
- Warranty:
 - 3-Years on weighbridge steel structure
 - 2-Years on load cells, junction box, and summing board



Carbon Steel Floor Scale

Part Number	Model Number	Material	L	W	Capacity
911-1100	BT-FC-2424-2.5-CL	Painted Steel	2'	2'	2.5K
911-1101	BT-FC-2424-5-CL	Painted Steel	2'	2'	5K
911-1102	BT-FC-2424-10SE-CL	Painted Steel	2'	2'	10K
911-1103	BT-FC-3030-2.5-CL	Painted Steel	2' 6"	2' 6"	2.5K
911-1104	BT-FC-3030-5-CL	Painted Steel	2' 6"	2' 6"	5K
911-1105	BT-FC-3030-10SE-CL	Painted Steel	2' 6"	2' 6"	10K
911-1106	BT-FC-3624-2.5-CL	Painted Steel	3'	2'	2.5K
911-1107	BT-FC-3624-5-CL	Painted Steel	3'	2'	5K
911-1108	BT-FC-3624-10SE-CL	Painted Steel	3'	2'	10K
911-1109	BT-FC-3636-2.5-CL	Painted Steel	3'	3'	2.5K
911-1110	BT-FC-3636-5-CL	Painted Steel	3'	3'	5K
911-1111	BT-FC-3636-10SE-CL	Painted Steel	3'	3'	10K
911-1112	BT-FC-4824-2.5-CL	Painted Steel	4'	2'	2.5K
911-1113	BT-FC-4824-5-CL	Painted Steel	4'	2'	5K
911-1114	BT-FC-4824-10SE-CL	Painted Steel	4'	2'	10K
911-1115	BT-FC-4836-2.5-CL	Painted Steel	4'	3'	2.5K
911-1116	BT-FC-4836-5-CL	Painted Steel	4'	3'	5K
911-1117	BT-FC-4836-10SE-CL	Painted Steel	4'	3'	10K
911-1118	BT-FC-4848-2.5-CL	Painted Steel	4'	4'	2.5K
911-1119	BT-FC-4848-5-CL	Painted Steel	4'	4'	5K
911-1120	BT-FC-4848-10SE-CL	Painted Steel	4'	4'	10K
911-1121	BT-FC-4848-10LE-CL	Painted Steel	4'	4'	10K
911-1122	BT-FC-4848-20-CL	Painted Steel	4'	4'	20K
911-1123	BT-FC-6036-2.5-CL	Painted Steel	5'	3'	2.5K
911-1124	BT-FC-6036-5-CL	Painted Steel	5'	3'	5K
911-1125	BT-FC-6036-10SE-CL	Painted Steel	5'	3'	10K
911-1126	BT-FC-6036-10LE-CL	Painted Steel	5'	3'	10K
911-1127	BT-FC-6036-20-CL	Painted Steel	5'	3'	20K
911-1128	BT-FC-6048-2.5-CL	Painted Steel	5'	4'	2.5K
911-1129	BT-FC-6048-5-CL	Painted Steel	5'	4'	5K
911-1130	BT-FC-6048-10SE-CL	Painted Steel	5'	4'	10K
911-1131	BT-FC-6048-10LE-CL	Painted Steel	5'	4'	10K
911-1132	BT-FC-6048-20-CL	Painted Steel	5'	4'	20K
911-1133	BT-FC-6060-2.5-CL	Painted Steel	5'	5'	2.5K
911-1134	BT-FC-6060-5-CL	Painted Steel	5'	5'	5K
911-1135	BT-FC-6060-10SE-CL	Painted Steel	5'	5'	10K
911-1136	BT-FC-6060-10LE-CL	Painted Steel	5'	5'	10K
911-1137	BT-FC-6060-20-CL	Painted Steel	5'	5'	20K
911-1138	BT-FC-7236-2.5-CL	Painted Steel	6'	3'	2.5K
911-1139	BT-FC-7236-5-CL	Painted Steel	6'	3'	5K
911-1140	BT-FC-7236-10SE-CL	Painted Steel	6'	3'	10K
911-1141	BT-FC-7236-10LE-CL	Painted Steel	6'	3'	10K
911-1142	BT-FC-7236-20-CL	Painted Steel	6'	3'	20K

Clydesdale



Carbon Steel Floor Scale

Part Number	Model Number	Material	L	W	Capacity
911-1143	BT-FC-7248-2.5-CL	Painted Steel	6'	4'	2.5K
911-1144	BT-FC-7248-5-CL	Painted Steel	6'	4'	5K
911-1145	BT-FC-7248-10SE-CL	Painted Steel	6'	4'	10K
911-1146	BT-FC-7248-10LE-CL	Painted Steel	6'	4'	10K
911-1147	BT-FC-7248-20-CL	Painted Steel	6'	4'	20K
911-1148	BT-FC-7260-2.5-CL	Painted Steel	6'	5'	2.5K
911-1149	BT-FC-7260-5-CL	Painted Steel	6'	5'	5K
911-1150	BT-FC-7260-10SE-CL	Painted Steel	6'	5'	10K
911-1151	BT-FC-7260-10LE-CL	Painted Steel	6'	5'	10K
911-1152	BT-FC-7260-20-CL	Painted Steel	6'	5'	20K
911-1153	BT-FC-7272-2.5-CL	Painted Steel	6'	6'	2.5K
911-1154	BT-FC-7272-5-CL	Painted Steel	6'	6'	5K
911-1155	BT-FC-7272-10SE-CL	Painted Steel	6'	6'	10K
911-1156	BT-FC-7272-10LE-CL	Painted Steel	6'	6'	10K
911-1157	BT-FC-7272-20-CL	Painted Steel	6'	6'	20K
911-1158	BT-FC-8436-2.5-CL	Painted Steel	7'	3'	2.5K
911-1159	BT-FC-8436-5-CL	Painted Steel	7'	3'	5K
911-1160	BT-FC-8436-10SE-CL	Painted Steel	7'	3'	10K
911-1161	BT-FC-8436-10LE-CL	Painted Steel	7'	3'	10K
911-1162	BT-FC-8436-20-CL	Painted Steel	7'	3'	20K
911-1163	BT-FC-8448-2.5-CL	Painted Steel	7'	4'	2.5K
911-1164	BT-FC-8448-5-CL	Painted Steel	7'	4'	5K
911-1165	BT-FC-8448-10SE-CL	Painted Steel	7'	4'	10K
911-1166	BT-FC-8448-10LE-CL	Painted Steel	7'	4'	10K
911-1167	BT-FC-8448-20-CL	Painted Steel	7'	4'	20K
911-1168	BT-FC-8460-2.5-CL	Painted Steel	7'	5'	2.5K
911-1169	BT-FC-8460-5-CL	Painted Steel	7'	5'	5K
911-1170	BT-FC-8460-10SE-CL	Painted Steel	7'	5'	10K
911-1171	BT-FC-8460-10LE-CL	Painted Steel	7'	5'	10K
911-1172	BT-FC-8460-20-CL	Painted Steel	7'	5'	20K
911-1173	BT-FC-8472-2.5-CL	Painted Steel	7'	6'	2.5K
911-1174	BT-FC-8472-5-CL	Painted Steel	7'	6'	5K
911-1175	BT-FC-8472-10SE-CL	Painted Steel	7'	6'	10K
911-1176	BT-FC-8472-10LE-CL	Painted Steel	7'	6'	10K
911-1177	BT-FC-8472-20-CL	Painted Steel	7'	6'	20K
911-1178	BT-FC-8484-2.5-CL	Painted Steel	7'	7'	2K
911-1179	BT-FC-8484-5-CL	Painted Steel	7'	7'	5K
911-1180	BT-FC-8484-10SE-CL	Painted Steel	7'	7'	10K
911-1181	BT-FC-8484-10LE-CL	Painted Steel	7'	7'	10K
911-1182	BT-FC-8484-20-CL	Painted Steel	7'	7'	20K
911-1183	BT-FC-9648-2.5-CL	Painted Steel	8'	4'	2.5K
911-1184	BT-FC-9648-5-CL	Painted Steel	8'	4'	5K

Carbon Steel Floor Scale

Part Number	Model Number	Material	L	W	Capacity
911-1185	BT-FC-9648-10SE-CL	Painted Steel	8'	4'	10K
911-1186	BT-FC-9648-10LE-CL	Painted Steel	8'	4'	10K
911-1187	BT-FC-9648-20-CL	Painted Steel	8'	4'	20K
911-1188	BT-FC-9660-2.5-CL	Painted Steel	8'	5'	2.5K
911-1189	BT-FC-9660-5-CL	Painted Steel	8'	5'	5K
911-1190	BT-FC-9660-10SE-CL	Painted Steel	8'	5'	10K
911-1191	BT-FC-9660-10LE-CL	Painted Steel	8'	5'	10K
911-1192	BT-FC-9660-20-CL	Painted Steel	8'	5'	20K
911-1193	BT-FC-9672-2.5-CL	Painted Steel	8'	6'	2.5K
911-1194	BT-FC-9672-5-CL	Painted Steel	8'	6'	5K
911-1195	BT-FC-9672-10SE-CL	Painted Steel	8'	6'	10K
911-1196	BT-FC-9672-10LE-CL	Painted Steel	8'	6'	10K
911-1197	BT-FC-9672-20-CL	Painted Steel	8'	6'	20K
911-1198	BT-FC-9684-10SE-CL	Painted Steel	8'	7'	10K
911-1199	BT-FC-9684-10LE-CL	Painted Steel	8'	7'	10K
911-1200	BT-FC-9684-20-CL	Painted Steel	8'	7'	20K
911-1201	BT-FC-9692-10SE-CL	Painted Steel	8'	7' 8"	10K
911-1202	BT-FC-9692-10LE-CL	Painted Steel	8'	7' 8"	10K
911-1203	BT-FC-9692-20-CL	Painted Steel	8'	7' 8"	20K
911-1204	BT-FC-10860-10SE-CL	Painted Steel	9'	5'	10K
911-1205	BT-FC-10860-10LE-CL	Painted Steel	9'	5'	10K
911-1206	BT-FC-10860-20-CL	Painted Steel	9'	5'	20K
911-1207	BT-FC-10872-10SE-CL	Painted Steel	9'	6'	10K
911-1208	BT-FC-10872-10LE-CL	Painted Steel	9'	6'	10K
911-1209	BT-FC-10872-20-CL	Painted Steel	9'	6'	20K
911-1210	BT-FC-10884-10SE-CL	Painted Steel	9'	7'	10K
911-1211	BT-FC-10884-10LE-CL	Painted Steel	9'	7'	10K
911-1212	BT-FC-10884-20-CL	Painted Steel	9'	7'	20K
911-1213	BT-FC-10892-10SE-CL	Painted Steel	9'	7' 8"	10K
911-1214	BT-FC-10892-10LE-CL	Painted Steel	9'	7' 8"	10K
911-1215	BT-FC-10892-20-CL	Painted Steel	9'	7' 8"	20K
911-1216	BT-FC-108108-10SE-CL	Painted Steel	9'	9'	10K
911-1217	BT-FC-108108-10LE-CL	Painted Steel	9'	9'	10K
911-1218	BT-FC-108108-20-CL	Painted Steel	9'	9'	20K
911-1219	BT-FC-12072-10SE-CL	Painted Steel	10'	6'	10K
911-1220	BT-FC-12072-10LE-CL	Painted Steel	10'	6'	10K
911-1221	BT-FC-12072-20-CL	Painted Steel	10'	6'	20K
911-1222	BT-FC-12084-10SE-CL	Painted Steel	10'	7'	10K
911-1223	BT-FC-12084-10LE-CL	Painted Steel	10'	7'	10K
911-1224	BT-FC-12084-20-CL	Painted Steel	10'	7'	20K
911-1225	BT-FC-12092-10SE-CL	Painted Steel	10'	7' 8"	10K
911-1226	BT-FC-12092-10LE-CL	Painted Steel	10'	7' 8"	10K
911-1227	BT-FC-12092-20-CL	Painted Steel	10'	7' 8"	20K

Carbon Steel: Options

RAMPS: Two foot retaining tabs welded to ramp - tread plate decking standard

Part Number	Size (W x L)	2.5K - 5K 10K-SE Small Envelope Cell	10K-LE - 20K Large Envelope Cell
917-1010	36" x 36"	✓	
917-1011	36" x 48"	✓	
917-1012	48" x 36"	✓	
917-1013	48" x 48"	✓	
917-1014	60" x 36"	✓	
917-1015	60" x 48"	✓	
917-1016	48" x 36"		✓
917-1017	48" x 48"		✓
917-1018	60" x 36"		✓
917-1019	60" x 48"		✓



Floor Scale Ramp shown with ramp

BUMP GUARD: Through-hole mounting - Foot retaining plates included

Part Number	Size	Sides	2.5K - 5K 10K-SE Small Envelope Cell	10K-LE - 20K Large Envelope Cell
917-1102	36"	1 Side Guard	✓	
917-1103	48"	1 Side Guard	✓	
917-1104	60"	1 Side Guard	✓	
917-1105	72"	1 Side Guard	✓	
917-1106	48"	1 Side Guard		✓
917-1107	60"	1 Side Guard		✓
917-1108	72"	1 Side Guard		✓
917-1110	48" x 48"	3 Side Guard Mitered	✓	
917-1111	48" x 48"	4 Side Guard Mitered	✓	
917-1113	48" x 48"	3 Side Guard Mitered		✓
917-1114	48" x 48"	4 Side Guard Mitered		✓
917-1116	60" x 60"	3 Side Guard Mitered	✓	
917-1117	60" x 60"	4 Side Guard Mitered	✓	
917-1119	60" x 60"	3 Side Guard Mitered		✓
917-1120	60" x 60"	4 Side Guard Mitered		✓

BUMP GUARD: Through-hole mounting - Foot retaining plates NOT INCLUDED

Part Number	Size	Sides	2.5K - 5K 10K-SE Small Envelope Cell	10K-LE - 20K Large Envelope Cell
917-1121	36"	1 Side Guard		
917-1122	48"	1 Side Guard		
917-1123	60"	1 Side Guard		
917-1124	72"	1 Side Guard		



4' Bump-Ramp shown with two foot retaining plates



4-Sided Bump-Ramp shown with mitered corners and foot retaining plates

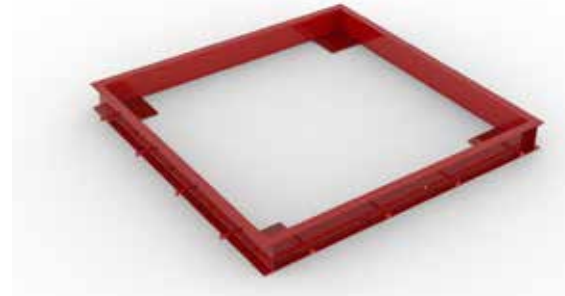
Carbon Steel: Options

PIT FRAME: Serves as pit wall coping w/ corner plates and foot retaining blocks.

Part Number	500 - 5K, 10K-SE Small Envelope Cell	10K-LE - 20K Large Envelope Cell
917-0020	✓	
917-0021		✓



Floor Mounted Indicator Column with Universal Top Plate



Typical Pit Frame
*Multiply the length of all four sides to calculate cost.

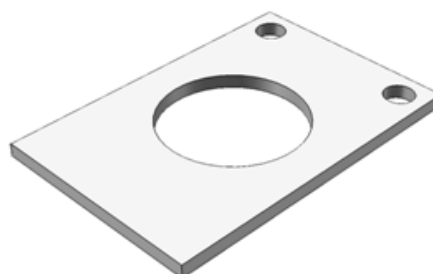
Part Number	Size (W x L)	2.5K - 5K 10K-SE Small Envelope Cell	10K-LE - 20K Large Envelope Cell
917-0001	30" x 30"	✓	
917-0002	36" x 36"	✓	
917-0003	48" x 48"	✓	
917-0004	60" x 60"	✓	
917-0012	48" x 48"		✓
917-0013	60" x 60"		✓

INDICATOR COLUMNS:

917-1355	Floor Mounted Indicator Stand – 48" painted steel stand, universal top plate	✓
917-1356	Integral Indicator Stand (Bolt-on) – 48" painted steel stand, universal top plate	✓

FLOOR SCALE FOOT RETAINING PLATE:

100-80606	Floor Scale Foot Retaining Plate – carbon steel (small envelope) plate lagged to floor to prevent sliding of scale. Price per plate. 2-1/2" foot hole.	✓
100-80287	Floor Scale Foot Retaining Plate – carbon steel (large envelope) plate lagged to floor to prevent sliding of scale. Price per plate. 3" foot hole.	✓



Clydesdale

Clydesdale: Options

FLOOR SCALE PORTABILITY FRAME W/ FORK CHANNELS: Painted carbon steel portability frame for transporting Clydesdale or 4-Square floor scale. Optional column is centered, opposite the fork channel entry side. Column mounted directly to side of frame with no offset from side of frame. *For use with small envelope Clydesdale only.

Part Number

917-1300	Painted Mild Steel Portability Frame 36" x 36"
917-1301	Painted Mild Steel Portability Frame 48" x 48"
917-1302	Painted Mild Steel Portability Frame 60" x 60"
917-1350	36" x 36" Frame with 48" Column CS
917-1351	48" x 48" Frame with 48" Column CS
917-1352	60" x 60" Frame with 48" Column CS
917-1400	304 Stainless Steel Portability Frame 36" x 36"
917-1401	304 Stainless Steel Portability Frame 48" x 48"
917-1402	304 Stainless Steel Portability Frame 60" x 60"
917-1450	36" x 36" Frame with 48" Column SS
917-1451	48" x 48" Frame with 48" Column SS
917-1452	60" x 60" Frame with 48" Column SS

Modify Column Location On Frame and / or Offset Column From Frame

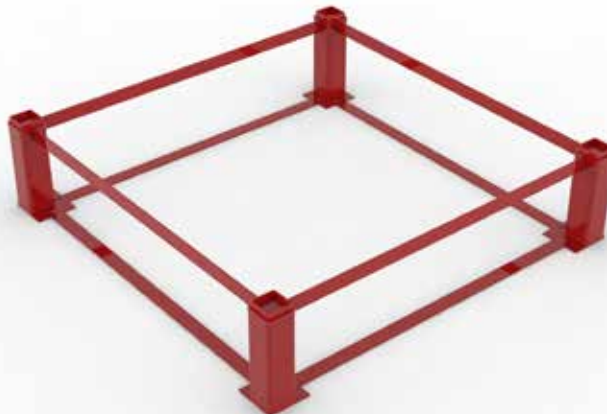
Modify The Standard Position, Height, or Width of The Fork Channel Openings

Shown with custom portability frame and indicator plate



RISER FRAME: painted carbon steel riser stand. Used to increase overall scale height above floor or when replacing existing electro-mechanical platform scale in a deep pit.

Floor Scale Riser Frame – Specify: Length, Width, Height, and capacity of platform to be set on top of frame.



Clydesdale: Parts

Part Number

Load Cell Foot Assemblies: Stainless steel ball encapsulated load foot w/ lock nut

911-000032	1/2" thread w/ flat, 2.5" diameter base for 250 to 5K SE cells
911-000039	3/4" thread w/ flat, 3" diameter base for 5K LE and 10K cells
911-000036	1" thread w/ flat, 3" diameter base for 15K and 20K cells

Load Cell Foot Assemblies: B-TEK Level-Flex load foot w/rubber base, stainless thread and lock nut

911-000013	1/2" thread, 2.5" diameter base for 250 to 5K SE cells
911-000009	1/2" thread, 3" diameter base for 250 to 5K SE cells

Floor Scale Junction Boxes and Summing Boards:

864-000008	NEMA 4 fiberglass reinforced plastic (FRP) floor scale junction box and 4-cell signal trim summing card
863-000025	NEMA 4 fiberglass reinforced plastic (FRP) floor scale junction box and cord grips only
864-000015	NEMA 4X stainless steel floor scale junction box and 4-cell signal trim summing card
863-000022	NEMA 4X stainless steel floor scale junction box and cord grips only
864-000010	Remote NEMA 4 scale junction box and 4-cell summing card with 10' of flex conduit - factory assembled to scale
862-000012	Floor scale, 4-cell signal trim summing card - JB2000

Weld Seal and Hermetic Load Cell Options:

Stainless Steel Weld Seal (IP67) Cell Upgrade –
(4 ea) Small Envelope cells (FM approved cell)

Stainless Steel Weld Seal (IP67) Cell Upgrade –
(4 ea) Large Envelope cells (FM approved cell)

Stainless Steel Hermetically Sealed (IP68) Cell Upgrade –
(4 ea) Small Envelope cells (FM approved cell)

Stainless Steel Hermetically Sealed (IP68) Cell Upgrade –
(4 ea) Large Envelope cells (FM approved cell)

FM Approved Options:

864-000030	Floor Scale ABS Junction Box / Board - FM Approved Floor junction box, cord grips and 4-cell signal trim summing card - Factory Mutual Approved
864-000026	Floor Scale Stainless J-Box / Board - FM Approved Floor junction box, cord grips and 4-cell signal trim summing card - Factory Mutual Approved

Calibration Options:

900-100056	Calibration and set-up of a B-TEK or customer supplied indicator. Up to 5 x 7 10K platforms.
900-100156	Calibration and set-up of a B-TEK or customer supplied indicator. Larger than 5 x 7 and all 20K platforms.

Quick Disconnect Cable:

861-000010	(1) male circular 5-pin connector with pigtail end. 20' length - rated IP68 (water-tight)
861-000011	(1) female circular 5-pin connector with pigtail end. 5' length - rated IP68 (water-tight)

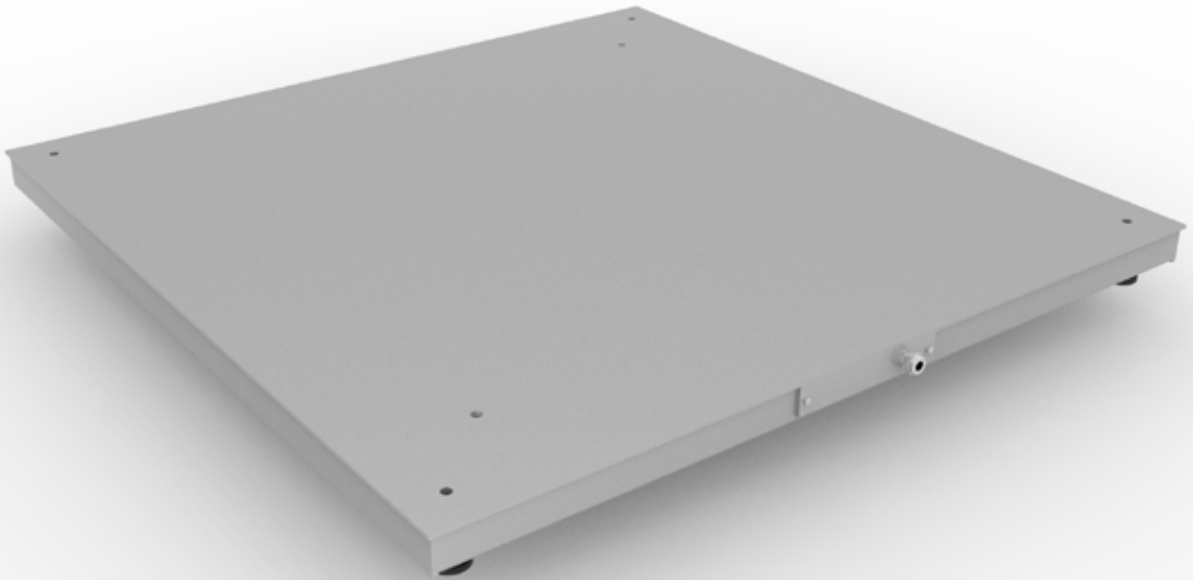
Clydesdale

Stainless Steel Floor Scale



GENERAL SPECIFICATIONS

- Certificate of Conformance: 94-092A4
- Type: Above ground or pit
- Scale Capacity: 2.5K - 10K lb
- End Load Capacity: 80% for 2.5K capacity
100% for 5K to 10K capacities
- Scale Height: 4-3/8" nominal (2.5K - 10K) adjustable
- Available Sizes: 2' x 2' - 5' x 7' - Custom sizes upon request
- Weighbridge: 1/4" 304 stainless steel smooth or tread deck plate with structural channel sub-structure
- Deck: Side or top access junction box, threaded lifting eye bolt holes
Finish: All exposed surfaces are media blasted to a clean, consistent appearance
- Load Cell: Stainless steel **(IP67)**, 350 Ohms, 3.0 mV/V, **FM Approved**
2.5K capacity: (4) 1,000 lb
5K capacity: (4) 2,500 lb cells by request in Clydesdale SS
5K capacity: (4) 4,000 lb cells standard in Clydesdale SS
10K capacity: (4) 5,000 lb
Optional hermetically sealed (IP68) cells are available for any capacity listed above
- Leveling foot: B-TEK stainless steel ball encapsulated foot - 2.5" diameter base
- Junction Box: NEMA 4 junction box with signal trim summing board
- Warranty: 3-Years on weighbridge steel structure
2-Years on load cells, junction box, and summing board



Stainless Steel Floor Scale

Side Access

Part Number	Model Number	Material	L	W	Capacity
911-3100	BT-FS-2424-2.5-CL	SS Smooth	2'	2'	2.5K
911-3103	BT-FS-3030-2.5-CL	SS Smooth	2' 6"	2' 6"	2.5K
911-3109	BT-FS-3636-2.5-CL	SS Smooth	3'	3'	2.5K
911-3119	BT-FS-4848-5-CL	SS Smooth	4'	4'	5K
911-3120	BT-FS-4848-10SE-CL	SS Smooth	4'	4'	10K
911-3129	BT-FS-6048-5-CL	SS Smooth	5'	4'	5K
911-3130	BT-FS-6048-10SE-CL	SS Smooth	5'	4'	10K
911-3134	BT-FS-6060-5-CL	SS Smooth	5'	5'	5K
911-3135	BT-FS-6060-10SE-CL	SS Smooth	5'	5'	10K
911-3144	BT-FS-7248-5-CL	SS Smooth	6'	4'	5K
911-3145	BT-FS-7248-10SE-CL	SS Smooth	6'	4'	10K
911-3169	BT-FS-8460-5-CL	SS Smooth	7'	5'	5K
911-3170	BT-FS-8460-10SE-CL	SS Smooth	7'	5'	10K
911-4100	BT-FS-2424-5-CL	SS Tread	2'	2'	2.5K
911-4103	BT-FS-3030-2.5-CL	SS Tread	2' 6"	2' 6"	2.5K
911-4109	BT-FS-3636-2.5-CL	SS Tread	3'	3'	2.5K
911-4119	BT-FS-4848-5-CL	SS Tread	4'	4'	5K
911-4120	BT-FS-4848-10SE-CL	SS Tread	4'	4'	10K
911-4129	BT-FS-6048-5-CL	SS Tread	5'	4'	5K
911-4130	BT-FS-6048-10SE-CL	SS Tread	5'	4'	10K
911-4134	BT-FS-6060-5-CL	SS Tread	5'	5'	5K
911-4135	BT-FS-6060-10SE-CL	SS Tread	5'	5'	10K
911-4144	BT-FS-7248-5-CL	SS Tread	6'	4'	5K
911-4145	BT-FS-7248-10SE-CL	SS Tread	6'	4'	10K
911-4169	BT-FS-8460-5-CL	SS Tread	7'	5'	5K
911-4170	BT-FS-8460-10SE-CL	SS Tread	7'	5'	10K

Top Access

Part Number	Model Number	Material	L	W	Capacity
911-3121	BT-FS-4848-5SE-CL	SS Smooth	4'	4'	5K
911-3122	BT-FS-4848-10SE-CL	SS Smooth	4'	4'	10K
911-3137	BT-FS-6060-5-CL	SS Smooth	5'	5'	5K
911-3136	BT-FS-6060-10-CL	SS Smooth	5'	5'	10K
911-4121	BT-FS-4848-5-CL	SS Tread	4'	4'	5K
911-4122	BT-FS-4848-10-CL	SS Tread	4'	4'	10K
911-4137	BT-FS-6060-5SE-CL	SS Tread	5'	5'	5K
911-4136	BT-FS-6060-10SE-CL	SS Tread	5'	5'	10K

Stainless Steel: Options

Stainless Steel Ramps: Two foot retaining tabs welded to ramp - smooth plate decking standard

Part Number	Description
917-3010	36" x 36" x 4-1/4" ramp 2.5K - 10K SE
917-3011	36" x 48" x 4-1/4" ramp 2.5K - 10K SE
917-3012	48" x 36" x 4-1/4" ramp 2.5K - 10K SE
917-3013	48" x 48" x 4-1/4" ramp 2.5K - 10K SE
917-3014	60" x 36" x 4-1/4" ramp 2.5K - 10K SE
917-3015	60" x 48" x 4-1/4" ramp 2.5K - 10K SE
917-4010	36" x 36" x 4-1/4" ramp 2.5K - 10K SE Stainless Tread
917-4011	36" x 48" x 4-1/4" ramp 2.5K - 10K SE Stainless Tread
917-4012	48" x 36" x 4-1/4" ramp 2.5K - 10K SE Stainless Tread
917-4013	48" x 48" x 4-1/4" ramp 2.5K - 10K SE Stainless Tread
917-4014	60" x 36" x 4-1/4" ramp 2.5K - 10K SE Stainless Tread
917-4015	60" x 48" x 4-1/4" ramp 2.5K - 10K SE Stainless Tread

Stainless Steel Tread Plate Option

913-1299	Stainless steel TREAD PLATE deck upgrade (price per square foot)
----------	--

Please note when ordering this option, the square feet of the scale needs to be determined before a total quantity and cost can be figured. To get the square feet of the scale multiply the width by the length: example scale size is 2'x3' = 6 square feet.

Stainless Steel Pit Frames: Serves as pit wall coping and has corner plates with foot retaining blocks.

Part Number	Size	Description	2.5K - 5K 10K-SE Small Envelope Cell
917-0051	30" x 30"	Stainless Steel Pit Frame	✓
917-0052	36" x 36"	Stainless Steel Pit Frame	✓
917-0053	48" x 48"	Stainless Steel Pit Frame	✓
917-0054	60" x 60"	Stainless Steel Pit Frame	✓
917-0070		Stainless Steel Pit Frame by the foot	✓

Bump Guard - Through-hole mounting - XX = Length in feet - Foot retaining plates not included

917-1194	Price per foot
917-1196	Scale mounting plates attached to bump guard (two plates)
917-1199	Price added for each mitered corners

Indicator Columns:

917-1455	48" stainless steel stand, 4" x 8" indicator top plate. (specify indicator mounting)
917-1456	48" stainless steel stand, 4" x 8" indicator top plate. (specify indicator mounting)

Scale Mounting Plates:

100-80606-1	Stainless steel (small envelope) plate lagged to floor to prevent sliding of scale. Price per plate. 2-1/2" foot hole.
-------------	---

Parts

Model Number

Load Cell Foot Assemblies: Stainless steel ball encapsulated load foot w/ lock nut

911-000032	1/2" thread w/ flat, 2.5" diameter base for 250 to 5K SE cells
911-000036	3/4" thread w/ flat, 3" diameter base for 5K LE and 10K cells
911-000039	1" thread w/ flat, 3" diameter base for 15K and 20K cells

Floor Scale Junction Boxes and Summing Boards:

864-000015	NEMA 4X stainless steel floor scale junction box and 4-cell signal trim summing card
863-000022	NEMA 4X stainless steel floor scale junction box and cord grips only
864-000010	Remote NEMA 4 scale junction box and 4-cell summing card with 10' of flex conduit - factory assembled to scale
862-000012	Floor scale, 4-cell signal trim summing card - JB2000

Weld Sealed And Hermetic Load Cell Options:

Stainless Steel Weld Seal (IP67) Cell Upgrade – (4 ea) Small Envelope cells (FM approved cell)
Stainless Steel Hermetically Sealed (IP68) Cell Upgrade – (4 ea) Small Envelope cells (FM approved cell)

FM Approved Options:

864-000030	Floor Scale ABS Junction Box / Board - FM Approved Floor junction box, cord grips and 4-cell signal trim summing card - Factory Mutual Approved
864-000026	Floor Scale Stainless J-Box / Board - FM Approved Floor junction box, cord grips and 4-cell signal trim summing card - Factory Mutual Approved

Calibration Options:

900-100056	Calibration and set-up of a B-TEK or customer supplied indicator. Up to 5 x 7 10K platforms.
900-100156	Calibration and set-up of a B-TEK or customer supplied indicator. Larger than 5 x 7 and all 20K platforms.

Quick Disconnect Cable:

861-000010	(1) male circular 5-pin connector with pigtail end. 20' length - rated IP68 (water-tight)
861-000011	(1) female circular 5-pin connector with pigtail end. 5' length - rated IP68 (water-tight)

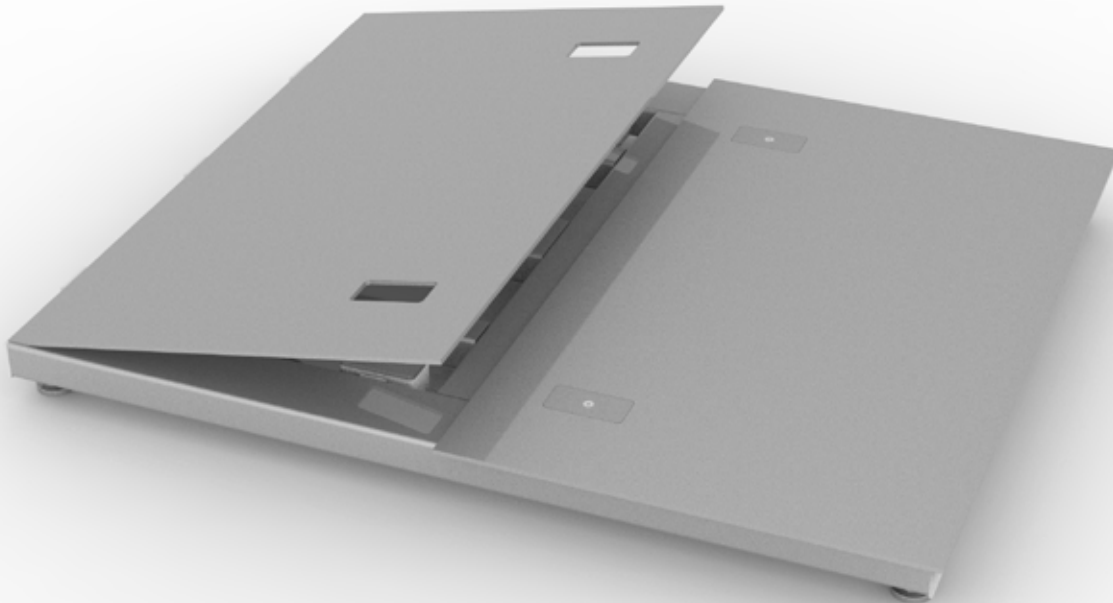
Clydesdale

Stainless Steel Lift Deck Floor Scale



GENERAL SPECIFICATIONS

- Certificate of Conformance: 94-092A4
- Type: Above ground or pit
- Scale Capacity: 2.5K - 5K lb
- End Load Capacity: 80% for 2.5K capacity
100% for 5K capacity
- Scale Height: 4-3/8" nominal height, adjustable
- Available Sizes: 3' x 3' - 4' x 6' - Custom sizes upon request
- Weighbridge: 1/4" 304 stainless steel **SMOOTH** plate with structural tube frame
- Deck: Lifting handles on top plate with dual gas shocks to aid in raising
- Finish: All exposed surfaces are media blasted to a clean, consistent appearance
- Load Cell: Stainless steel (**IP67**), 350 Ohms, 3.0mV/V
2.5K capacity: (4) 1K lb
5K capacity: (4) 2.5K lb cells by request in Clydesdale
5K capacity: (4) 4K lb cells standard in Clydesdale
Optional hermetically sealed (IP68) cells are available for any capacity listed above
- Leveling foot: B-TEK stainless steel ball encapsulated foot - 2.5" diameter base
- Junction Box: Side access NEMA 4 junction box with signal trim summing board
- Warranty: 3-Years on weighbridge steel structure
2-Years on load cells, junction box, and summing board



60" x 60" Shown

Stainless Steel Lift Deck Floor Scale

Model Number	Smooth Deck
911-5109	36" x 36" stainless steel smooth lift deck scale - 2.5K
911-5110	36" x 36" stainless steel smooth lift deck scale - 5K
911-5118	48" x 48" stainless steel smooth lift deck scale - 2.5K
911-5119	48" x 48" stainless steel smooth lift deck scale - 5K
911-5140	60" x 60" stainless steel smooth lift deck scale - 5K
911-5144	72" x 48" stainless steel smooth lift deck scale - 5K

Model Number	Tread Deck
911-5130	36" x 36" stainless steel tread lift deck scale - 2.5K
911-5131	36" x 36" stainless steel tread lift deck scale - 5K
911-5132	48" x 48" stainless steel tread lift deck scale - 2.5K
911-5133	48" x 48" stainless steel tread lift deck scale - 5K
911-5134	60" x 60" stainless steel tread lift deck scale - 5K
911-5135	72" x 48" stainless steel tread lift deck scale - 5K

Clydesdale Matrix UW



Stainless Steel Ultimate Washdown Lift Deck Floor Scale



GENERAL SPECIFICATIONS

- Certificate of Conformance: 94-092A4
- Type: Above ground or pit
- Scale Capacity: 5K – 10K lb
- End Load Capacity: 100% for 5K capacity 80% for 10K capacity
- Scale Height: 4" nominal height, adjustable
- Available Sizes: 4' x 4' - 5' x 5' - Custom sizes upon request
- Weighbridge: 1/4" 304 stainless steel **SMOOTH** or **TREAD** plate with structural solid weld bar frame
- Deck: Easy open latch locks, dual gas shocks to aid in raising and safety bars keep the deck locked in the open position for cleaning.
- Finish: All exposed surfaces are media blasted to a clean, consistent appearance
- Load Cell: Stainless steel hermetically sealed IP69K load cells
- Leveling foot: B-TEK stainless steel rigid foot - 3" diameter base
- Junction Box: Remote access NEMA 4X junction box with signal trim summing board
- Warranty: 3-Years on weighbridge steel structure
2-Years on load cells, junction box, and summing board



60" x 60" Shown

Clydesdale Matrix UW



Stainless Steel Ultimate Washdown Lift Deck Floor Scale

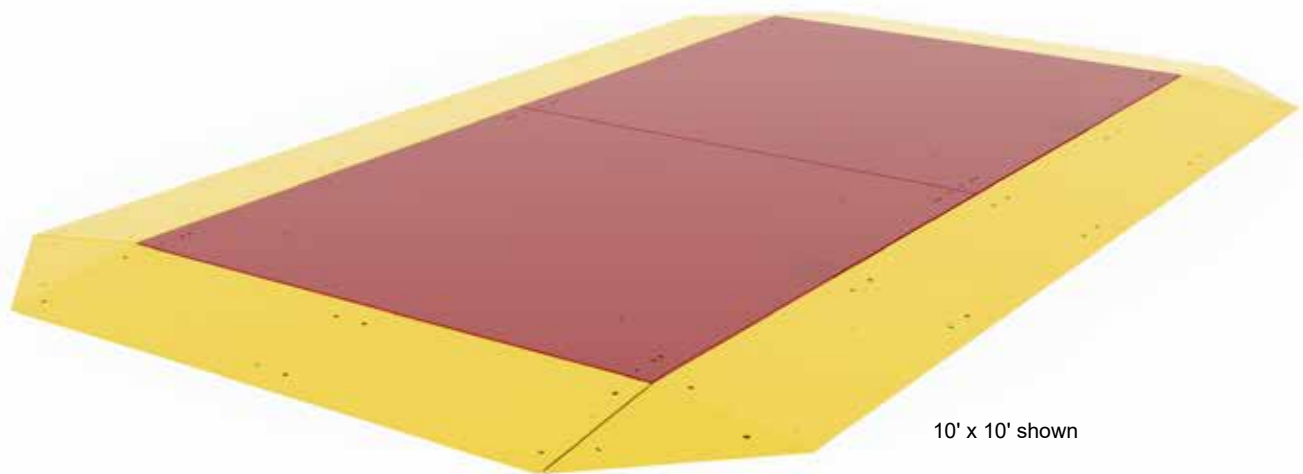
Model Number	Description
SMOOTH Deck Plate	
911-5233	48" x 48" stainless steel lift deck scale - 5K
911-5243	48" x 48" stainless steel lift deck scale - 10K
911-5234	60" x 60" stainless steel lift deck scale - 5K
911-5244	60" x 60" stainless steel lift deck scale - 10K
TREAD Deck Plate	
911-5213	48" x 48" stainless steel lift deck scale - 5K
911-5223	48" x 48" stainless steel lift deck scale - 10K
911-5214	60" x 60" stainless steel lift deck scale - 5K
911-5224	60" x 60" stainless steel lift deck scale - 10K
Stainless Steel Pit Frames: Serves as pit wall coping and has corner plates with foot retaining blocks	
911-5293	48" x 48" pit frame stainless steel
911-5294	60" x 60" pit frame stainless steel
Stainless Steel Ramps: Two foot retaining tabs welded to ramp – tread plate standard	
911-5283	48" x 36" stainless steel ramp
911-5284	48" x 48" stainless steel ramp
911-5285	60" x 36" stainless steel ramp
911-5286	60" x 48" stainless steel ramp
Floor Mounted Indicator Stand:	
911-5299	48" stainless steel stand with 4" x 8" indicator top plate (Please specify indicator being mounted)
Floor Scale Retaining Feet:	
100-99595	Stainless steel plate lagged to floor to prevent scale movement
911-000043	3.00" rigid stainless steel foot with rubber pad

Pancake Cargo Scale



GENERAL SPECIFICATIONS

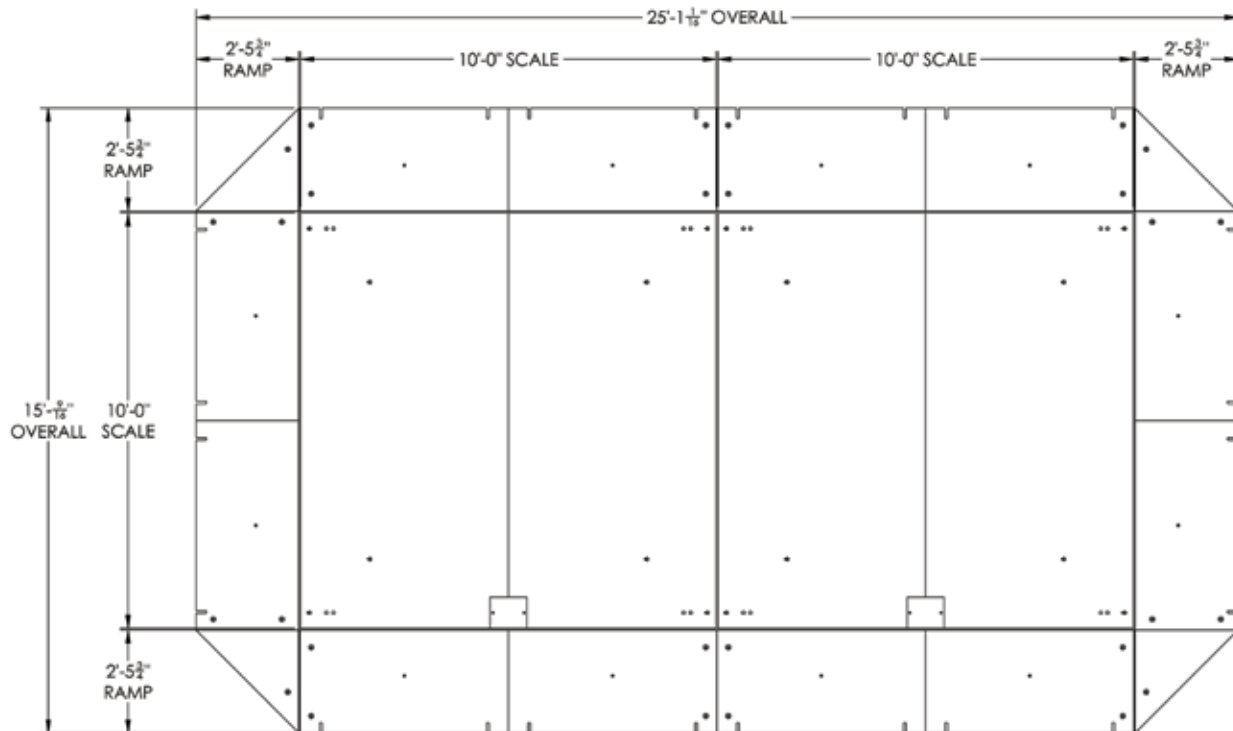
- Certificate of Conformance: Non-NTEP
- Type: Above ground pancake style with 360° ramps
- Scale Capacity: 30K x 10 lb
- Scale Height: 4-1/2"
- Available Sizes: 10' x 10' & 20' x 10'
Custom size platforms available
- Weighbridge: 1/2" carbon steel tread plate with formed channel sub-structure
- End Load Capacity: 100% full scale and end load capacity
- Deck: Top access junction box, leveling foot adjustment holes
Threaded lifting eye bolt holes: 5/8"-11 eyebolt
- 360° Ramps: 360° tread plate ramps, 30" length, painted safety yellow
- Paint System: Alkyd Enamel
- Load Cell: Plated alloy steel, 350 Ohms, 3.0 mV/V, FM Approved
- Leveling Foot: B-TEK stainless steel rigid foot - 3.00" diameter base
- Junction Box: NEMA 4 fiberglass reinforced plastic (FRP) with signal trim summing board
- Includes: B-TEK Load Cell Cable: required cables from scale to indicator
Wedge Anchors: 1/2" x 4.25" for scale and ramps
- Warranty: 3-Years on weighbridge steel structure
2-Year on load cells, junction box and summing board
- Options: 52" indicator column with indicator / printer shelf, painted safety yellow



10' x 10' shown

Pancake Cargo Scale

Part Number	Description
911-1300	10' x 10' 30K Pancake Cargo Scale: 10' x 10' 30K Scale 360° Ramps, 30" length, painted safety yellow 1/2" x 4-1/2" Wedge anchors 15' B-TEK load cell cable
911-1301	20' x 10' 30K Low Profile Air Cargo Pancake Style Scale: (2) 10' x 10' 30K Scales set side-by-side 360° Ramps, 30" length, painted safety yellow 1/2" x 4-1/2" Wedge anchors (2) 15' B-TEK load cell cable
Options	
200-84703	52" floor mount column with indicator/printer shelf painted safety yellow with anchors



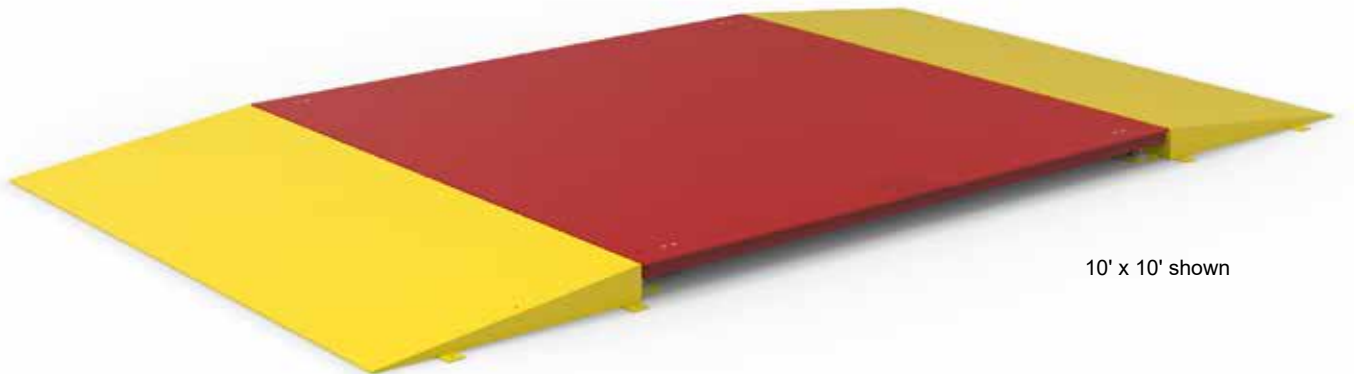
Drawing for 20' x 10' shown

Dual Ramp Cargo Scale



GENERAL SPECIFICATIONS

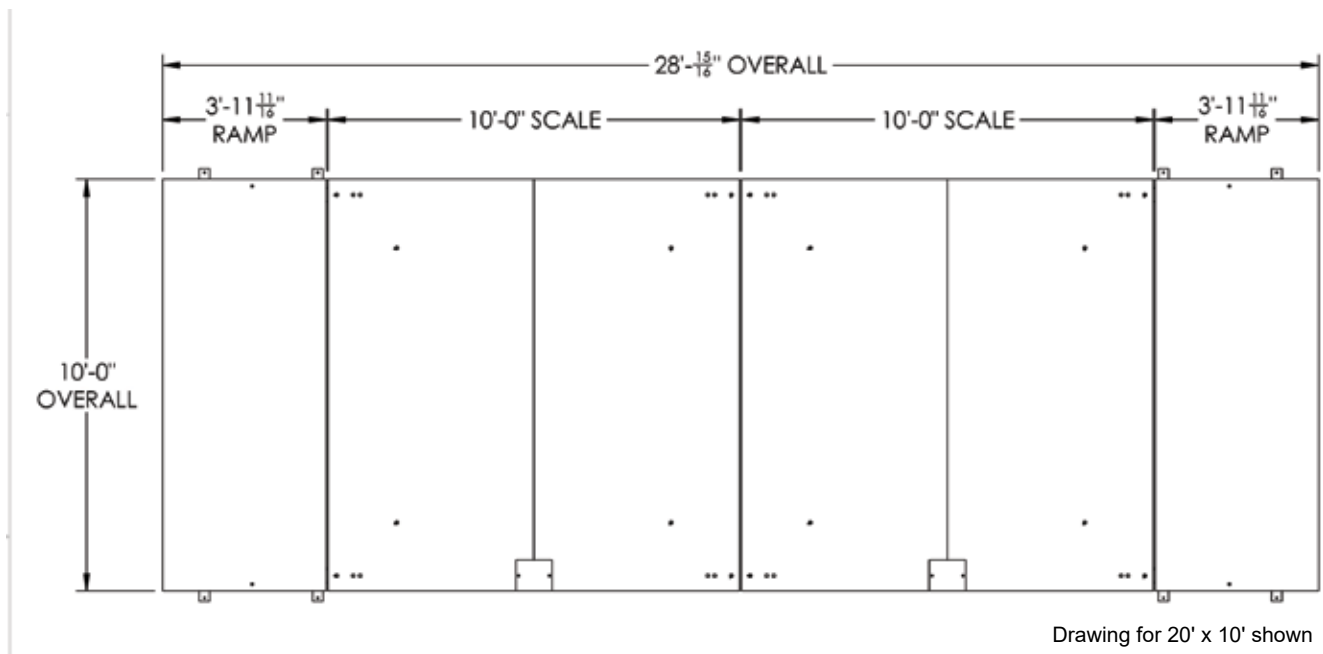
- Certificate of Conformance: Non-NTEP
- Type: Above ground with end ramps
- Scale Capacity: 30K x 10 lb
- Scale Height: 5.5"
- Available Sizes: 10' x 10' & 10' x 20'
Custom size platforms available
- Weighbridge: 1/2" carbon steel tread plate with formed channel sub-structure
- End Load Capacity: 100% full scale and end load capacity
- Deck: Top access junction box, leveling foot adjustment holes
Threaded lifting eye bolt holes: 5/8"-11 eyebolt
- End Ramps: (2) 4' x 10' of safety yellow tread plate ramps offer access to both ends of the scale
- Paint System: Alkyd Enamel
- Load Cell: Plated alloy steel, 350 Ohms, 3.0 mV/V, FM Approved
- Leveling Foot: B-TEK stainless steel rigid foot - 3.00" diameter base
- Junction Box: NEMA 4 fiberglass reinforced plastic (FRP) with signal trim summing board
- Includes: B-TEK Load Cell Cable: (1) 15' for 10' x 10' and (2) 15' for 10' x 20'
Wedge Anchors: 1/2" x 4.25" for scale and ramps
- Warranty: 3-Years on weighbridge steel structure
2-Year on load cells, junction box and summing board
- Options: 52" indicator column with indicator / printer shelf painted safety yellow
5.5" square tube bump guard, painted safety yellow
Dead panels, painted safety yellow



10' x 10' shown

Dual Ramp Cargo Scale

Part Number	Description
911-1310	10' x 10' 30K Dual Ramp Cargo Scale: 10' x 10' 30K scale (2) 4' x 10' ramps, painted safety yellow 1/2" x 4-1/2" wedge anchors 15' B-TEK load cell cable
911-1311	20' x 10' 30K Dual Ramp Cargo Scale: (2) 10' x 10' 30K scales set side-by-side (2) 4' x 10' ramps, painted safety yellow 1/2" x 4-1/2" wedge anchors 15' B-TEK load cell cable
Options	
200-84703	52" Floor mount column with indicator/printer shelf painted safety yellow with anchors
200-84704	5' x 10' Dead Spacer Panel, Painted Safety Yellow
200-84705	6' x 10' Dead Spacer Panel, Painted Safety Yellow
200-84706	7' x 10' Dead Spacer Panel, Painted Safety Yellow
200-84700	5' Square Tube Bump Guard, Painted Safety Yellow
200-84701	6' Square Tube Bump Guard, Painted Safety Yellow
200-84702	7' Square Tube Bump Guard, Painted Safety Yellow
200-84699	10' Square Tube Bump Guard, Painted Safety Yellow

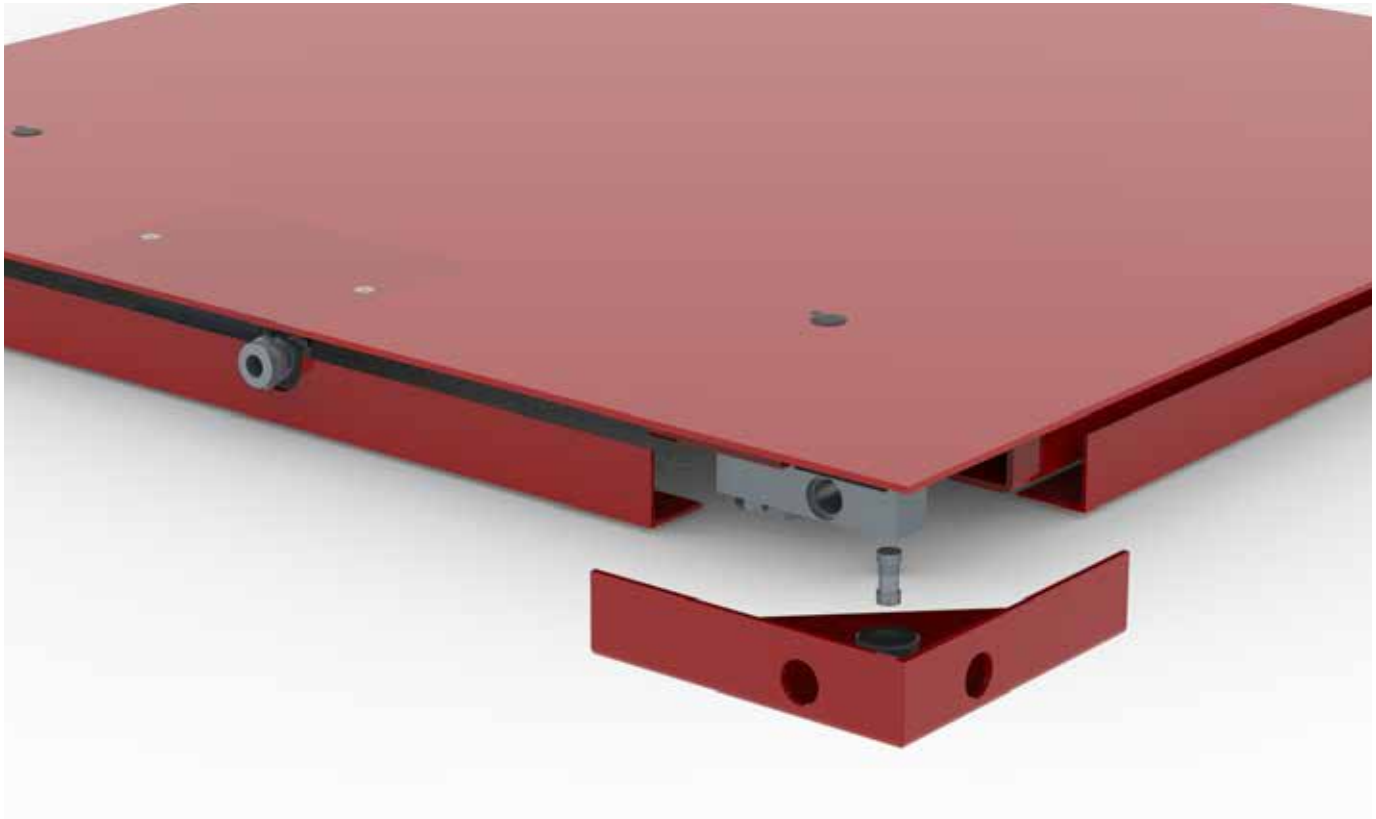


Rocker Pin Suspension Floor Scale



GENERAL SPECIFICATIONS

- Certificate of Conformance: 94-092A4
- Type: Above ground or pit
- Scale Capacity:
 - 1K x 0.2 lb
 - 2.5Kx 0.5 lb
 - 5K x 1 lb
 - 10K x 2 lb
- Scale Height:
 - 3" nominal (1,000 - 5,000)
 - 3-1/2" nominal (10,000)
- Available Sizes: 3' x 3' - 5' x 7' - Custom sizes upon request
- Weighbridge:
 - 1/4" carbon steel tread deck plate w/ formed channel sub-structure
 - 1/4" 304 stainless steel smooth deck plate w/ formed channel sub-structure
- Deck: Top access junction box, threaded lifting eye bolt holes: 5/8"-11 eyebolt
- Paint System:
 - Alkyd Enamel (carbon steel)
 - All exposed surfaces are media blasted to a clean, consistent appearance (stainless)
- Load Cell:
 - Stainless steel IP67, 350 Ohms, 2.0 mV/V, **FM Approved**
 - 1,000 lb capacity: (4) 500 lb cells
 - 2,500 lb capacity: (4) 1,250 lb cells
 - 5,000 lb capacity: (4) 2,500 lb cells
 - 10,000 lb capacity: (4) 5,000 lb cells
- Leveling foot: Fixed rocker pin - no height adjustment
- Junction Box: NEMA 4 fiberglass reinforced plastic (FRP) with signal trim summing board
- Warranty:
 - 3-Years on weighbridge steel structure
 - 2-Years on load cells, junction box, and summing board



Rocker Pin Suspension Floor Scale

Part Number	Model Number	Material	L	W	Capacity
905-1000	BT-FC-3636-1-RP	Painted Steel	3'	3'	1K
905-1001	BT-FC-4848-1-RP	Painted Steel	4'	4'	1K
905-1002	BT-FC-6048-1-RP	Painted Steel	5'	4'	1K
905-1003	BT-FC-7248-1-RP	Painted Steel	6'	4'	1K
905-1004	BT-FC-6060-1-RP	Painted Steel	5'	5'	1K
905-1005	BT-FC-3636-2.5-RP	Painted Steel	3'	3'	2.5K
905-1006	BT-FC-4848-2.5-RP	Painted Steel	4'	4'	2.5K
905-1007	BT-FC-6048-2.5-RP	Painted Steel	5'	4'	2.5K
905-1008	BT-FC-7248-2.5-RP	Painted Steel	6'	4'	2.5K
905-1009	BT-FC-6060-2.5-RP	Painted Steel	5'	5'	2.5K
905-1010	BT-FC-3636-5-RP	Painted Steel	3'	3'	5K
905-1011	BT-FC-4848-5-RP	Painted Steel	4'	4'	5K
905-1012	BT-FC-6048-5-RP	Painted Steel	5'	4'	5K
905-1013	BT-FC-7248-5-RP	Painted Steel	6'	4'	5K
905-1014	BT-FC-6060-5-RP	Painted Steel	5'	5'	5K
905-1015	BT-FC-8460-5-RP	Painted Steel	7'	5'	5K
905-1016	BT-FC-4848-10-RP	Painted Steel	4'	4'	10K
905-1017	BT-FC-6048-10-RP	Painted Steel	5'	4'	10K
905-1018	BT-FC-6060-10-RP	Painted Steel	5'	5'	10K
905-1019	BT-FC-7248-10-RP	Painted Steel	6'	4'	10K
905-1020	BT-FC-8460-10-RP	Painted Steel	7'	5'	10K
905-3000	BT-FS-3636-1-RP	SS Smooth	3'	3'	1K
905-3001	BT-FS-4848-1-RP	SS Smooth	4'	4'	1K
905-3002	BT-FS-6048-1-RP	SS Smooth	5'	4'	1K
905-3003	BT-FS-7248-1-RP	SS Smooth	6'	4'	1K
905-3004	BT-FS-6060-1-RP	SS Smooth	5'	5'	1K
905-3005	BT-FS-3636-2.5-RP	SS Smooth	3'	3'	2.5K
905-3006	BT-FS-4848-2.5-RP	SS Smooth	4'	4'	2.5K
905-3007	BT-FS-6048-2.5-RP	SS Smooth	5'	4'	2.5K
905-3008	BT-FS-7248-2.5-RP	SS Smooth	6'	4'	2.5K
905-3009	BT-FS-6060-2.5-RP	SS Smooth	5'	5'	2.5K
905-3010	BT-FS-3636-5-RP	SS Smooth	3'	3'	5K
905-3011	BT-FS-4848-5-RP	SS Smooth	4'	4'	5K
905-3012	BT-FS-6048-5-RP	SS Smooth	5'	4'	5K
905-3013	BT-FS-7248-5-RP	SS Smooth	6'	4'	5K
905-3014	BT-FS-6060-5-RP	SS Smooth	5'	5'	5K
905-3015	BT-FS-8460-5-RP	SS Smooth	7'	5'	5K
905-3016	BT-FS-4848-10-RP	SS Smooth	4'	4'	10K
905-3017	BT-FS-6048-10-RP	SS Smooth	5'	4'	10K
905-3018	BT-FS-6060-10-RP	SS Smooth	5'	5'	10K
905-3019	BT-FS-7248-10-RP	SS Smooth	6'	4'	10K
905-3020	BT-FS-8460-10-RP	SS Smooth	7'	5'	10K

Workhorse

Carbon Steel Heavy Duty Floor Scale



GENERAL SPECIFICATIONS

- Certificate of Conformance: 18-061
- Type: Above ground or pit
- Scale Capacity: 20K x 5 lb
30Kx 10 lb
40K x 10 lb
- End Load Capacity: 100% for 20K and 40K capacities
66% for 30K capacity
- Scale Height: 9" to 14" depending on platform size and capacity
- Available Sizes: 4' x 4' - 12' x 10' - Custom sizes available upon request
- Weighbridge: 3/8" carbon steel tread plate with WF-Beam sub-structure
- Deck: Welded tread deck plate
- Paint System: Alkyd Enamel
- Load Cell: B-TEK LCMT mount assembly bolted to WF-Beam sub-structure
20K capacity: (4) 10K lb, plated alloy steel, 350 Ohms, 3.0 mV/V
30K capacity: (4) 10K lb, plated alloy steel, 350 Ohms, 3.0 mV/V
40K capacity: (4) 20K lb, plated alloy steel, 350 Ohms, 3.0 mV/V
- Junction Box: Externally mounted NEMA 4X stainless steel junction box with signal trim summing board
Top access junction box available by request or standard when platform is installed in pit
- Warranty: 5-Years on weighbridge steel
2-Years on load cells, junction box, and summing board



Carbon Steel Heavy Duty Floor Scale

Size	20K Part Number	30K Part Number	40K Part Number
48 x 48	916-1000	916-1001	916-1002
60 x 48	916-1003	916-1004	916-1005
60 X 60	916-1006	916-1007	916-1008
72 X 48	916-1009	916-1010	916-1011
72 X 60	916-1012	916-1013	916-1014
72 X 72	916-1015	916-1016	916-1017
84 X 48	916-1018	916-1019	916-1020
84 X 60	916-1021	916-1022	916-1023
84 X 72	916-1024	916-1025	916-1026
84 X 84	916-1027	916-1028	916-1029
96 X 48	916-1030	916-1031	916-1032
96 X 60	916-1033	916-1034	916-1035
96 X 72	916-1036	916-1037	916-1038
96 x 84	916-1039	916-1040	916-1041
96 X 96**	916-1042	916-1043	916-1044
108 X 60**	916-1045	916-1046	916-1047
108 X 72**	916-1048	916-1049	916-1050
108 X 84**	916-1051	916-1052	916-1053
108 X 96**	916-1054	916-1056	916-1057
108 X 108**	916-1058	916-1059	916-1060
120 X 60**	916-1061	916-1062	916-1063
120 X 72**	916-1064	916-1065	916-1066
120 X 84**	916-1067	916-1068	916-1069
120 X 96**	916-1070	916-1071	916-1072
120 X 120**	916-1073	916-1074	916-1075
144 X 120**	916-1076	916-1077	916-1078

20K: platforms use 10K0 lb load cells - 3/4" threaded foot

30K: platforms use 10K lb load cells - 3/4" threaded foot

40K: platforms use 20K lb load cells - 1" threaded foot

** Due to size and weight of platform, shipment via flatbed truck is suggested - call for estimated freight quote

MODEL NUMBER EXAMPLES:

96" x 60" platform with 20K capacity - BT-FCHD-9660-20

84" x 60" platform with 30K capacity - BT-FCHD-8460-30

48" x 48" platform with 40K capacity - BT-FCHD-4848-40

Custom sizes:

Specify exact length and width in model number - 70" x 56" platform with 20K capacity - BT-FCHD-7056-20

Drum Scales



Carbon and Stainless Steel Drum Scale

GENERAL SPECIFICATIONS - CARBON STEEL

- Certificate of Conformance: 94-092A4
- Type: Low profile above ground
- Scale Capacity: 1K & 2.5K lb
- Scale Height: 1-1/2" nominal deck height
- Available Sizes: 2' x 2' - 4' x 4' - Custom sizes upon request
- Weighbridge: 1/4" carbon steel tread plate deck with live side rail design
- Deck: Side access FRP junction box, leveling foot adjustment holes in side rails
- Paint System: Alkyd Enamel
- Load Cell: Plated alloy steel, 350 Ohms, 3.0 mV/V
1K lb capacity: (4) 1K lb
2.5K lb capacity: (4) 2K lb
- Leveling foot: B-TEK stainless steel ball encapsulated foot - 2.5" diameter base
- Junction Box: NEMA 4 fiberglass reinforced plastic (FRP) with signal trim summing board
- Warranty: 3-Years on weighbridge steel structure
2-Years on load cells, junction box, and summing board

GENERAL SPECIFICATIONS - STAINLESS STEEL

- Certificate of Conformance: 94-092A4
- Type: Low profile above ground
- Scale Capacity: 1,000 & 2,500 lb
- Scale Height: 1-1/2" nominal deck height
- Available Sizes: 2' x 2' - 4' x 4' - Custom sizes upon request
- Weighbridge: 1/4" 304 stainless steel **SMOOTH** deck with live side rail design
- Deck: Side access FRP junction box, leveling foot adjustment holes in side rails
- Finish: All exposed surfaces are media blasted to a clean, consistent appearance
- Load Cell: Stainless steel (**IP67**), 350 Ohms, 3.0 mV/V
1K lb capacity: (4) 1K lb
2.5K lb capacity: (4) 2.5K lb
- Leveling foot: B-TEK stainless steel ball encapsulated foot - 2.5" diameter base
- Junction Box: NEMA 4 with signal trim summing board
- Warranty: 3-Years on weighbridge steel structure
2-Years on load cells, junction box, and summing board



36" x 36" Drum Scale

Drum Scales



Carbon and Stainless Steel Drum Scale

*All drum scales include backstop

Part Number	Size	Description	Capacity
913-1000	24" x 24"	Carbon steel drum scale	1K
913-1001	30" x 30"	Carbon steel drum scale	1K
913-1002	36" x 36"	Carbon steel drum scale	1K
913-1003	48" x 48"	Carbon steel drum scale	1K
913-1004	24" x 24"	Carbon steel drum scale	2.5K
913-1005	30" x 30"	Carbon steel drum scale	2.5K
913-1006	36" x 36"	Carbon steel drum scale	2.5K
913-1007	48" x 48"	Carbon steel drum scale	2.5K
913-1100	24" x 24"	Stainless steel drum scale	1K
913-1101	30" x 30"	Stainless steel drum scale	1K
913-1102	36" x 36"	Stainless steel drum scale	1K
913-1103	48" x 48"	Stainless steel drum scale	1K
913-1104	24" x 24"	Stainless steel drum scale	2.5K
913-1105	30" x 30"	Stainless steel drum scale	2.5K
913-1106	36" x 36"	Stainless steel drum scale	2.5K
913-1107	48" x 48"	Stainless steel drum scale	2.5K

Part Number	Size	Ramp Options
913-1200	24" x 12"	Carbon steel detachable ramp
913-1201	30" x 12"	Carbon steel detachable ramp
913-1202	36" x 12"	Carbon steel detachable ramp
913-1203	48" x 12"	Carbon steel detachable ramp
913-1208	24" x 12"	Stainless steel detachable ramp
913-1209	30" x 12"	Stainless steel detachable ramp
913-1210	36" x 12"	Stainless steel detachable ramp
913-1211	48" x 12"	Stainless steel detachable ramp

Part Number	Size	Description
913-4000	24" x 24"	CS DS Wheeled portability frame, hinged ramp, 48" bolt column
913-4001	30" x 30"	CS DS Wheeled portability frame, hinged ramp, 48" bolt column
913-4002	36" x 36"	CS DS Wheeled portability frame, hinged ramp, 48" bolt column
913-4003	48" x 48"	CS DS Wheeled portability frame, hinged ramp, 48" bolt column
913-4020	24" x 24"	SS DS Wheeled portability frame, hinged ramp, 48" bolt column
913-4021	30" x 30"	SS DS Wheeled portability frame, hinged ramp, 48" bolt column
913-4022	36" x 36"	SS DS Wheeled portability frame, hinged ramp, 48" bolt column
913-4023	48" 48"	SS DS Wheeled portability frame, hinged ramp, 48" bolt column

Drum Scales



Carbon and Stainless Steel Drum Scale

Part Number	Junction Box / Column Options
864-000010	NEMA 4X stainless steel remote junction box and 4-cell signal trim summing card with 10 ft. flexible conduit and connectors
913-1250	48" <u>carbon steel</u> integral indicator column w/ stainless steel column mounted junction box with signal trim summing card
913-1251	48" <u>stainless steel</u> integral indicator column w/ stainless steel column mounted junction box with signal trim summing card
Portability Options	
913-1260	Carbon steel wheel kit (two swivel casters and two rigid) includes column with handle grips
913-1266	Carbon steel square tube push handle
913-1261	Stainless steel wheel kit (two swivel casters and two rigid) Includes column
913-1267	Stainless steel square tube push handle
Miscellaneous Options	
913-1298	Backstop adder carbon steel
913-1297	Backstop adder stainless steel
913-1299	Stainless steel <u>TREAD PLATE</u> deck upgrade (price per square foot)
<p><i>Please note when ordering this option, the square feet of the scale need to be determined before a total quantity and cost can be figured. To get the square feet of the scale multiply the width by the length: example scale size is 2'x3' = 6 square feet.</i></p>	
See Clydesdale Floor Scale Options & Accessories page for load cell options	

Patient Scales



Wheelchair / Patient Scale

GENERAL SPECIFICATIONS: ABOVE GROUND SCALE WITH DETACHABLE RAMP AND HANDRAILS

- Certificate of Conformance: 94-092A4
- Type: Low profile above ground
- Scale Capacity: 1,000 lb x 0.2 lb
- Scale Height: 1-1/2" nominal deck height
- Platform Sizes: 36" x 36" & 48" x 48" - Custom sizes upon request
- Weighbridge: Carbon steel smooth deck with non-slip surface finish, single detachable ramp standard
- Deck: Top access FRP junction box, leveling foot adjustment holes in side rail
- Paint System: Gray Alkyd Enamel
- Load Cell: Plated alloy steel, 350 Ohms, 3.0 mV/V
1,000 lb capacity: (4) 500 lb cells
- Leveling foot: B-TEK stainless steel ball encapsulated foot - 2.5" diameter base
- Junction Box: NEMA 4 fiberglass reinforced plastic (FRP) with signal trim summing board
- Warranty: 3-Years on weighbridge steel structure
2-Years on load cells, junction box, and summing board



GENERAL SPECIFICATIONS: IN-FLOOR SCALE

- Certificate of Conformance: 94-092A4
- Type: Low profile in-floor installation
- Scale Capacity: 1,000 lb x 0.2 lb
- Scale Height: 4" nominal deck height - mounted in pit frame
- Available Sizes: 36" x 36" & 48" x 48" - Custom sizes upon request
- Weighbridge: Carbon steel smooth deck with non-slip surface finish
- Deck: Top access FRP junction box, leveling foot adjustment holes
- Finish: Grey Alkyd Enamel
- Load Cell: Plated alloy steel, 350 Ohms, 3.0mV/V
1,000 lb capacity: (4) 500 lb cells
- Leveling foot: B-TEK stainless steel ball encapsulated foot - 2.5" diameter base
- Junction Box: NEMA 4 fiberglass reinforced plastic (FRP) with signal trim summing board
- Warranty: 3-Years on weighbridge steel structure
2-Years on load cells, junction box, and summing board



36" x 36" above ground scale shown with single ramp and hand rail



36" x 36" in-floor scale shown with pit frame and hand rail

Patient Scales



Wheelchair / Patient Scale

Part Number

Above Ground Scale

913-2010	36" x 36" 1K above ground patient, single detachable ramp and hand rail
913-2011	48" x 48" 1K above ground patient, single detachable ramp and hand rail

In-Floor Scale

913-2015	36" x 36" 1K inground patient, pit frame and hand rail
913-2016	48" x 48" 1K inground patient, pit frame and hand rail

Options

821-500000KIT	T403S flush wall mount indicator and printer
913-1252	Bolt on indicator column

Weigh-A-Round



Carbon and Stainless Portable Scales

GENERAL SPECIFICATIONS - CARBON STEEL

- Certificate of Conformance: NON-NTEP
- Type: Portable single point weighing platform
- Scale Capacity: 100 - 1.5K lb
- Platform Height: 6-9/16" nominal
- Available Sizes: 24" x 18" & 30" x 24" - custom sizes upon request
- Weighbridge: Heavy duty structural channel base frame and structural tube spider (2) fixed in-board and (2) rear mounted swivel wheels
- Column: 48" tall structural tube column with handle grips and top plate for indicator
Top Plate: 6 in x 7 in / Universal Top Plate: 6 in x 4 in
- Platter: 304 stainless steel
- Casters: 5" carbon steel swivel casters with wheel locks
- Finish: Alkyd Enamel
- Load Cell: Anodized aluminum "brick type" single point load cell
Environmentally sealed (IP67), 350 Ohms, 2.0 mV/V, FM Approved
- Warranty: 2-Years on weighbridge steel structure
1-Year on load cell

GENERAL SPECIFICATIONS - STAINLESS STEEL

- Certificate of Conformance: NON-NTEP
- Type: Portable single point weighing platform
- Scale Capacity: 100 - 1.5K lb
- Platform Height: 6-9/16 nominal
- Available Sizes: 24" x 18" & 30" x 24" - custom sizes upon request
- Weighbridge: Heavy duty 304 stainless steel structural channel base frame and structural tube spider (2) fixed in-board and (2) rear mounted swivel wheels
- Column: 48" tall structural tube column with handle grips and top plate for indicator
Top Plate: 6 in x 7 in / Universal Top Plate: 6 in x 4 in
- Platter: 304 stainless steel
- Casters: 5" carbon steel swivel casters with wheel locks
- Finish: All exposed surfaces are media blasted to a clean, consistent appearance
- Load Cell: Anodized aluminum "brick type" single point load cell
Environmentally sealed (IP67), 350 Ohms, 2.0 mV/V, FM Approved
- Warranty: 2-Years on weighbridge steel structure
1-Year on load cell

24" x 18" Weigh-A-Round with Swivel Casters
48" Column with Handle Grips



Weigh-A-Round



Carbon and Stainless Portable Scales

Carbon Steel

Part Number	Model Number	L	W	Capacity
912-3050	BW-2418-100-CSPS	24"	18"	100 lb
912-3051	BW-2418-250-CSPS	24"	18"	250 lb
912-3052	BW-2418-500-CSPS	24"	18"	500 lb
912-3053	BW-2418-1000-CSPS	24"	18"	1,000 lb
912-3054	BW-2418-1500-CSPS	24"	18"	1,500 lb
912-3067	BW-3024-250-CSPS	30"	24"	250 lb
912-3055	BW-3024-500-CSPS	30"	24"	500 lb
912-3056	BW-3024-1000-CSPS	30"	24"	1,000 lb
912-3057	BW-3024-1500-CSPS	30"	24"	1,500 lb

Stainless Steel

Part Number	Model Number	L	W	Capacity
912-3058	BW-2418-100-SSPS	24"	18"	100 lb
912-3059	BW-2418- 250-SSPS	24"	18"	250 lb
912-3060	BW-2418- 500-SSPS	24"	18"	500 lb
912-3061	BW-2418-1000-SSPS	24"	18"	1,000 lb
912-3062	BW-2418-1500-SSPS	24"	18"	1,500 lb
912-3063	BW-3024-500-SSPS	30"	24"	500 lb
912-3064	BW-3024-1000-SSPS	30"	24"	1,000 lb
912-3065	BW-3024-1500-SSPS	30"	24"	1,500 lb
912-3068	BW-3024-250-SSPS	30"	24"	250 lb

Hermetically sealed stainless steel load cell

Options

861-00011-KIT Quick Disconnect Connector M12 5-Pin Male IP67 Screw Terminal and Female Cable

Livestock Scale

Large and Small Animal Livestock Scales



GENERAL SPECIFICATIONS

- Certificate of Conformance: 94-092A4
- Type: Above ground
- Scale Capacity: 2.5K x 0.5 lb
5K x 1 lb
- Scale Height: 4-3/8" nominal
- Available Sizes: 4' x 2' & 6' x 2'
8' x 3' & 8' x 4'
Custom size platforms available
- Weighbridge: 1/4" carbon steel tread plate with formed channel sub-structure
- Deck: Heavy duty rubber barn mat bolted to deck
Racking with kick-plate attached to top of deck
Swing gate w/ latch at each end of platform (4x2 & 6x2)
Slide gate at each end of platform (8x3 & 8x4)
- Paint System: Alkyd Enamel
- Load Cell: Plated alloy steel, 350 Ohms, 3.0 mV/V
- 2.5K lb capacity: (4) 1K lb cells
- 5K lb capacity: (4) 2.5K lb cells
Optional Stainless Steel cells are available
- Rodent Protection: Anti-rodent design keeps rodents from entering the scale and destroying electronics
- Leveling foot: B-TEK stainless steel ball encapsulated foot - 2.5" diameter base
- Junction Box: Stainless steel with signal trim summing board
- Warranty: 3-Years on weighbridge steel structure
2-Years on load cells, junction box, and summing board



Single Livestock

Livestock Scale



Large and Small Animal Livestock Scales

Part Number	Description
911-3004	Small Animal Livestock Scale 48" x 24" platform. Includes: racking with kickplate, (2) swing gate doors, heavy duty rubber mat and rodent protection
911-3003	Small Animal Livestock Scale 72" x 24" platform. Includes: racking with kickplate, (2) swing gate doors, heavy duty rubber mat and rodent protection
911-3001	Single Animal Livestock Scale 96" x 36" platform. Includes: racking with kick-plate, (2) slide gates, heavy duty rubber mat and rodent protection
911-3002	Single Animal Livestock Scale 96" x 48" platform. Includes: racking with kick-plate, (2) slide gates, heavy duty rubber mat and rodent protection
Options	
861-000010	(1) male circular 5-pin connector with pigtail end. 20' length - rated IP68 (water-tight)
861-000011	(1) female circular 5-pin connector with pigtail end. 5' length - rated IP68 (water-tight)
Carbon Steel Wheel Kit	(2) swivel casters and (2) rigid. <i>Small Animal livestock scales only.</i>



Small Animal Livestock

Counting Bench

C100 - Compact Bench Parts Counter

GENERAL SPECIFICATIONS

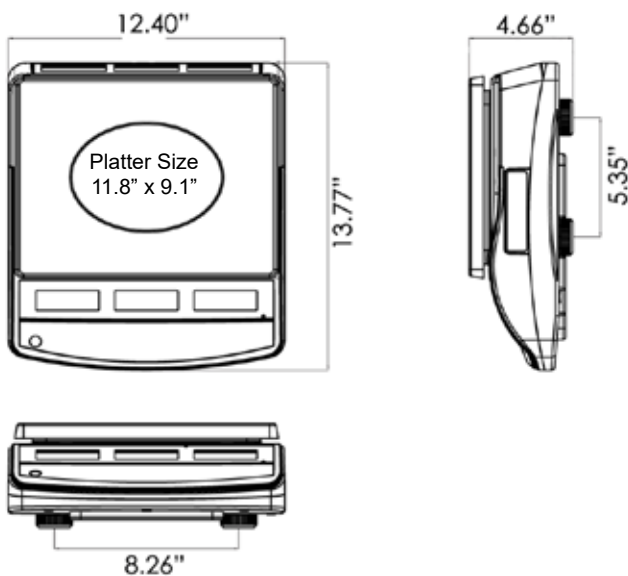
- NTEP COC: NON-NTEP
- Capacities: 6, 12, 30, 60, 100 lb
- ABS housing
- Stainless steel weighing platter
- Weighing Surface: 11.8" x 9.1"
- Weighing Surface: 14.5" x 9.4" (100 lb only)
- Backlit 0.78" LCD displays
- Built-in rechargeable battery
- Up to 90 hour battery life
- Overload protection
- 60,000 division performance
- **Remote scale input (standard)**
- **Remote scale 18' cable**
- (1) RS-232 serial port
- Units: lb, kg
- Full numeric keypad
- Three displays for simplistic operation
 - Piece count
 - Gross weight
 - Average piece weight



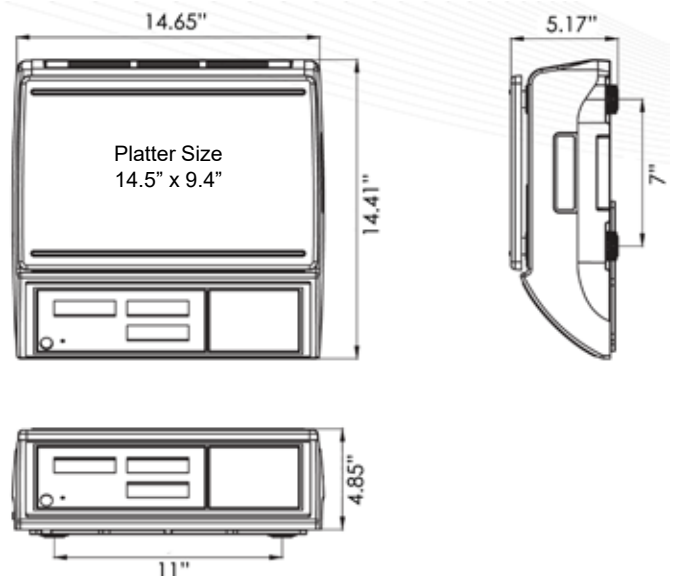
COUNTING SCALE INCLUDES:

Remote Scale Input, 18' Remote Scale Cable w/ Connector Attached, AC Wall Transformer, Extra DB9 Connector

Dimensions: C100 / 6, C100 / 12, C100 / 30, C100 / 60



Dimensions: C100 / 100



Counting Bench

C100 - Compact Bench Parts Counter

Part Number	Description
899-300000	C100 / 6 6 lb x 0.0001 lb — 3 Kg x 0.0001 Kg
899-300001	C100 / 12 12 lb x 0.0002 lb — 6 Kg x 0.0001 Kg
899-300002	C100 / 30 30 lb x 0.0005 lb — 15 Kg x 0.0002 Kg
899-300003	C100 / 60 60 lb x 0.001 lb — 30 Kg x 0.0005 Kg
899-300020	C100 / 100 100 lb x 0.02 lb — 50 Kg x 0.001 Kg

Replacement Parts

899-300042	PGE-W / C100 / C200 AC Wall Power Supply
899-300043	Threaded Foot - C100 Counting Scale (6-60 lb)
899-300044	Threaded Foot - C100 Counting Scale (100 lb)
899-300021	Fitted Dust Cover - C100 Counting Scale (6-60 lb)
899-300022	Replacement Battery - C100 Counting Scale & BWS Indicator
899-300025	Stainless Pan / Platter - C100 Counting Scale (6-60 lb)
899-300080	Stainless Pan / Platter - C100 Counting Scale (100 lb)
899-300026	Plastic Pan / Spider - C100 Counting Scale (6-60 lb)
899-300067	Battery Cover - C100 Counting Scale (6-60 lb)
899-300068	Battery Cover - C100 Counting Scale (100 lb)
899-300077	Power Switch - C100 Counting Scale (6-60 lb)
899-300078	Power Switch - C100 Counting Scale (100 lb)
899-300075	Keypad Overlay - C100 Counting Scale (6-60 lb)
899-300076	Keypad Overlay - C100 Counting Scale (100 lb)
899-300079	C100 Keypad PCB (100 lb)
899-300074	Front LCD Display LCD - C100 Counting Scale (6-60 lb)
899-300088	Front LCD Display LCD - C100 Counting Scale (100 lb)
899-300072	Main PCB - C100 Counting Scale (6-60 lb)
899-300073	Main PCB - C100 Counting Scale (100 lb)
899-300094	C100 Remote Base Homerun Cable (6-60 lb)
899-300110	C100 / 100 lb Remote Base Homerun Cable
899-300131	C100 Bumper Support for 100 lb Capacity
899-300032	C100 / 6 Load Cell - 6Kg
899-300033	C100 / 12 Load Cell - 10Kg
899-300034	C100 / 30 Load Cell - 40Kg
899-300035	C100 / 60 Load Cell - 50Kg

Bench

Remote Scale Input - C100 Standard Feature
(Remote base show is not included)



Counting Bench

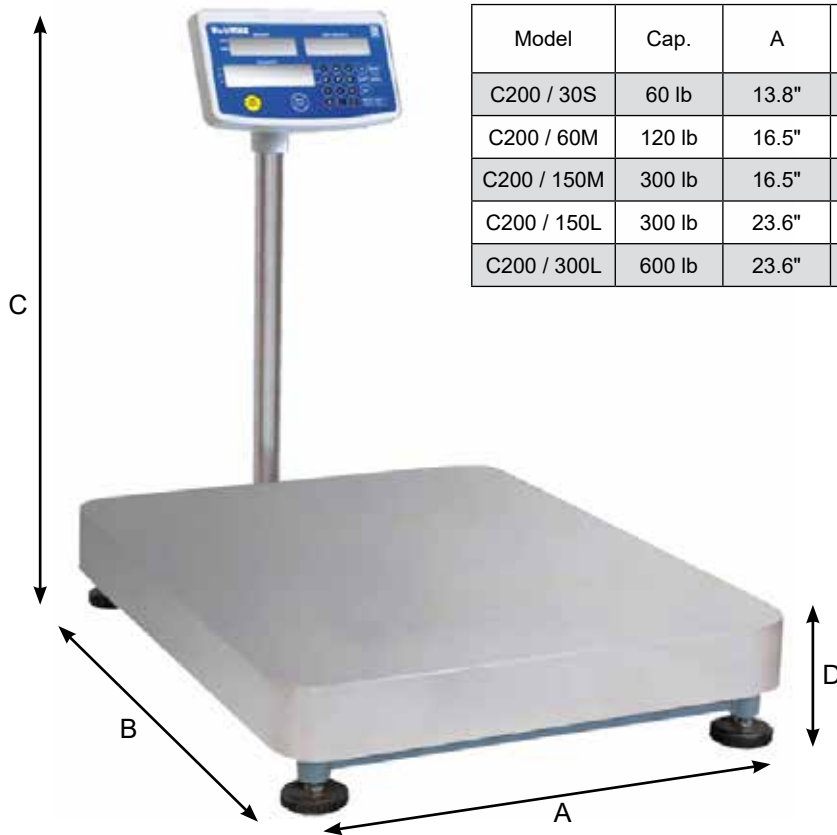
C200 - Bench Scale / Parts Counter

GENERAL SPECIFICATIONS

- NTEP COC: NON-NTEP
- ABS indicator housing
- Integral indicator column
- Stainless steel weighing platter
- Painted mild steel platform
- Adjustable leveling feet
- Overload protection
- 15,000 division performance
- Backlit 0.65" LCD displays
- Built-in rechargeable battery
- Up to 70 hour battery life
- Units: lb, kg
- Full numeric keypad
- Three displays for simplistic operation
 - Piece count
 - Gross weight
 - Average piece weight



Bench Scale Includes: Platform, Column, Indicator and AC Wall Transformer



Model	Cap.	A	B	C	D	Ship Weight
C200 / 30S	60 lb	13.8"	17.7"	33.5"	4.25"	37 lb
C200 / 60M	120 lb	16.5"	20.5"	35.4"	4.25"	41 lb
C200 / 150M	300 lb	16.5"	20.5"	35.4"	4.25"	41 lb
C200 / 150L	300 lb	23.6"	31.5"	35.4"	4.25"	145 lb
C200 / 300L	600 lb	23.6"	31.5"	35.4"	4.25"	145 lb

Counting Bench

C200 - Bench Scale / Parts Counter

Part Number	Description
899-300004	C200 / 30S 60 lb x 0.005 lb
899-300005	C200 / 60M 120 lb x 0.01 lb
899-300006	C200 / 150M 300 lb x 0.02 lb
899-300007	C200 / 150L 300 lb x 0.02 lb
899-300008	C200 / 300L 600 lb x 0.05 lb
Replacement Parts	
899-300071	C200 Complete Indicator
899-300069	C200 Main Board
899-300042	PGE-W / C100 / C200 AC Wall Power Supply
899-300070	C200 Keyboard Overlay
899-300066	C200 Threaded Foot - 12mm Thread, 2-1/2" Base Dia.
899-300028	C200 Indicator Replacement Battery
899-300040	C200 Indicator Replacement Dust Cover
899-300095	C200 Center Rubber Support (30S)
899-300096	C200 Corner Rubber Support (30S)
899-300097	C200 Center Rubber Support (150L / 300L)
899-300098	C200 Center Rubber Support (150L / 300L)
899-300036	C200 Load Cell L6E-50Kg For C200 / 30S
899-300037	C200 Load Cell L6G-100Kg For C200 / 60M
899-300038	C200 Load Cell L6G-200Kg For C200 / 150M / 150L
899-300039	C200 Load Cell L6G-500Kg For C200 / 300L

Bench Scale Includes: Platform, Column, Indicator and AC Wall Transformer

Bench

High Resolution Counting Scale

GENERAL SPECIFICATIONS - COUNTING SCALE

- Standard capacities: 2, 10, 70 and 175 lb
*1, 5, 25, 50 and 100 lb capacities available through custom setup. Requires part number 825-300199 to configure and calibrate.
- 1 billion internal count resolution using the high accuracy of the Quartzell transducer
- Aluminum die-cast clamshell base with 1100% overload and shock protection
- Available applications:
 - Counting application with 40 PLU piece weight data storage (keypad required)
 - Checkweighing
 - High Resolution Balance for general weighing
- Stainless steel weighing platter with adjustable feet
- Backlit display with seven 0.5 inch segments
- Ports:
 - Comes standard with (2) Serial ports, (1) Ethernet, (3) Inputs and (3) Outputs
 - (2) RS232 serial ports (green connector)
 - (1) Mini USB VCP port: connected in parallel with COM2 or consumes COM2 if used
 - (1) Ethernet port (local base: client or server. Dual base: server only)
 - (1) Analog port (green connector) only active when optional 5V analog card is fitted
 - (1) Side RJ45 connector dedicated for remote keyboard only
 - (1) 9V DC power socket to allow the base or indicator to be powered from the DC socket on the rear of the base or directly from the rear of the indicator
- Units: lb, kg, g, oz, and custom
- Shipping weight: 17-23 lb



Bench



2 and 10 lb model
6" diameter platter



70 lb model
9" x 12" platter



70 and 175 lb model
12" x 14" platter

Shown with optional keypad

Part Number	Model Number	HRCS Counting Scale
825-300002	HRCS-0912-002	HRCS Counting Scale 2 lb x 0.00002 lb - 6" Diameter
825-300004	HRCS-0912-010	HRCS Counting Scale 10 lb x 0.0001 lb - 6" Diameter
825-300007	HRCS-0912-070	HRCS Counting Scale 70 lb x 0.001 lb - 9"x12"
825-300010	HRCS-1214-070	HRCS Counting Scale 70 lb x 0.001 lb - 12"x14"
825-300012	HRCS-1214-175	HRCS Counting Scale 175 lb x 0.002 lb - 12"x14"
825-300199	Downrange Adder	Configure and calibrate for downranging to a 1, 5, 20, 50 or 100lb scale. <i>Please note: This cost will be added to the above pricing, the scale will come configured and calibrated in the downrange size selected.</i>

HRB Digital Bench Base

GENERAL SPECIFICATIONS - DIGITAL BASE

- Standard capacities: 2, 10, 70 and 175lb
- 1 billion internal count resolution using the high accuracy of the Quartzell transducer
- Aluminum die-cast clamshell base with 1100% overload and shock protection
- (3) Stainless steel weighing platter sizes with adjustable feet
- Compatible with the HRCS, T405S and the T419S indicators
- Ports:
 - RJ45 remote HRB port
- Units: lb, kg, g, oz, and custom
- Shipping weight: 17-23 lb



Bench

Available sizes and resolutions

Platter Size	Capacity and Resolution lb	Capacity and Resolution kg
6" diameter	2 lb x 0.00002 lb	1000 g x 0.01 g
6" diameter	10 lb x 0.0001 lb	5000 g x 0.05 g
9" x 12"	70 lb x 0.001 lb	35 kg x 0.0005 kg
12" x 14"	70 lb x 0.001 lb	35 kg x 0.0005 kg
12" x 14"	175 lb x 0.002 lb	80 kg x 0.001 kg



2 and 10 lb model
6" diameter platter



70 lb model
9" x 12" platter



70 and 175 lb model
12" x 14" platter

Part Number	Model Number	HRB Digital Bench Base
825-300025	HRB-0912-002	HRB High Resolution Digital Bench Base 2 lb x 0.00002 lb - 6" Diameter
825-300026	HRB-0912-010	HRB High Resolution Digital Bench Base 10 lb x 0.0001 lb - 6" Diameter
825-300027	HRB-0912-070	HRB High Resolution Digital Bench Base 70 lb x 0.001 lb - 9"x12"
825-300028	HRB-1214-070	HRB High Resolution Digital Bench Base 70 lb x 0.001 lb - 12"x14"
825-300029	HRB-0912-175	HRB High Resolution Digital Bench Base 175 lb x 0.002 lb - 12"x14"
825-300030	HRB-1214-70-BT	HRB High Resolution Digital Bench Base with Ball Top Shroud 70 lb x 0.001 lb - 12"x14"
825-300031	HRB-1214-175-BT	HRB High Resolution Digital Bench Base with Ball Top Shroud 175 lb x 0.002 lb - 12"x14"

HRCS and HRB



High Resolution Counting Scale and Digital Base

Bench

	Part Number	Description
Indicator/Base Accessories	825-300000	HRCS Replacement Indicator
	825-300048	Remote Numeric Keypad (Required for Second Base or PLU Storage)
	825-300051	HRCS/HRB Light Stack Red, Yellow, Green IP67 with Audible Alarm (Requires 825-300073 Light Stack Bracket)
	825-300052	HRCS/HRB Light Stack Red IP67 with Audible Alarm (Requires 825-300073 Light Stack Bracket)
	825-300049	HRCS Wired Barcode Scanner - USB & RS232
	825-300050	HRCS Wireless Barcode Scanner with Charger / Cradle - USB & RS232
Relay Options	825-300054	HRCS 2.5 TO 28 DC Volt Input Module
	825-300055	HRCS 10 TO 32 AC/DC Volt Input Module
	825-300056	HRCS 90 TO 140 AC/DC Volt Input
	825-300057	HRCS 5 TO 60 DC Volt Output Module
	825-300058	HRCS 120/240 VAC Output Module
	825-300059	HRCS .5AMP SPST Normally Open Dry Contact Relay
	825-300123	HRCS OPTO Board Enclosure IP69K
	825-300124	HRCS OPTO Board Only (3 Inputs / 3 Outputs) AC/DC
Battery Options	825-300063	HRCS Internal Rechargeable Battery Kit
Power Supply and Cord Options	825-300120	HRCS Counting Scale, Power Supply
	825-300121	HRCS Counting Scale, Power Cord
Column and Bracket Options	825-300037	HRCS/HRB Glass Draft Shield 2-10 lb Models
	825-300038	HRCS/HRB Ball Top Shroud Only Available for 12" x 14" Scales
	825-300036	HRCS/HRB Underhook 2 - 10 lb 6" Diameter Only
	825-300044	HRCS/HRB Underhook 70 lb 9" x 12" Base Only
	825-300073	HRCS/HRB Rear Light Stack Bracket
	825-300039	HRCS/HRB Clamp Down Plate Kit
	825-300045	HRCS/HRB Rear Plate Protector
	825-300042	HRCS Column 15"
	825-300043	HRCS Column 23" (Includes cable part number 825-300074)
	825-300071	HRCS Indicator Desk or Wall Bracket (Supplied with cable 825-300074)
	825-300040	HRB Stainless Column Kit for T405S Indicators 15"
825-300041	HRB Stainless Column Kit for T405S Indicators 23"	
Software	825-300125	B-TEK Tools Configuration and Development Software

HRCS and HRB



High Resolution Counting Scale and Digital Base

Bench

	Part Number	Description
Leads and Cables	825-300074	10' Remote Cable to Extend HRCS Indicator from HRB Base (RJ45 Both Ends)
	825-300075	25' Remote Cable to Extend HRCS Indicator from HRB Base (RJ45 Both Ends)
	825-300076	50' Remote Cable to Extend HRCS Indicator from HRB Base (RJ45 Both Ends)
	825-300032	HRCS/HRB RS232 Interconnect Cable - Can be used for the HRCS Base to Remote Analog Base or HRB Base to T405/T419 Indicators - 10' (RJ45 to stripped ends)
	825-300033	HRCS/HRB RS232 Interconnect Cable - Can be used for the HRCS Base to Remote Analog Base or HRB Base to T405/T419 Indicators - 25' (RJ45 to stripped ends)
	825-300034	HRCS/HRB RS232 Interconnect Cable - Can be used for the HRCS Base to HRB Base or HRB Base to T405/T419 Indicators - 50' (RJ45 to stripped ends)
	825-300080	Scanner Serial Com Cable Assembly, RS232, DP9 Female on one end, pig tails on opposite end, 5' + 5V on PIN 4
	825-300081	Serial Com Cable Assembly, RS232, DP9 Female on one end, pig tails on opposite end, 5'
	825-300082	Serial Com Cable Assembly, RS232, DP9 Female on one end, pig tails on opposite end, S 10'
	825-300126	20 in. HRCS to HRB Connection Cable RJ45 on each end
825-300127	HRCS to PC USB cable. Mini B and Standard A.	
Option Cards	825-300084	HRCS 2nd Scale Analog Option Card, Other than HRB (Requires 825-300048 HRCS Remote Keypad)
	825-300085	HRCS RM300 Wireless Ethernet Communication (802.11a/b/g/n) Module and Antenna

Please note: Only one option card can be installed in the HRCS

High Resolution Counting Scale and Digital Base

Bench

Part Number	Item#/Chart	Replacement Parts
825-300087	1	HRCS/HRB USB Connection Subassembly
825-300112	2	HRCS/HRB Counting Scale, Loadbridge, 1/5 kg
825-300088	2	HRCS/HRB Counting Scale, Loadbridge, 9" x 12"
825-300089	2	HRCS/HRB Counting Scale, Loadbridge, 12" x 14"
825-300090	3	HRCS/HRB Counting Scale, Bottom Shell, 9" x 12"
825-300092	3	HRCS/HRB Counting Scale, Bottom Shell, 12" x 14"
825-300091	4	HRCS/HRB Counting Scale, Top Shell, 9" x 12"
825-300093	4	HRCS/HRB Counting Scale, Top Shell, 12" x 14"
825-300094	5	HRCS/HRB Counting Scale, Feet
825-300095	6	HRCS/HRB Counting Scale, Portcap Fixture
825-300096	7	HRCS/HRB Counting Scale, Level
825-300110	8	HRCS/HRB Cable Assembly, Interface 9" x 12"
825-300097	8	HRCS/HRB Cable Assembly, Interface 12" x 14"
825-300098	9	HRCS/HRB Counting Scale, Ground Interface
825-300100	10	HRCS/HRB Counting Scale, Shroud, 9" x 12"
825-300099	10	HRCS/HRB Counting Scale, Shroud, 12" x 14"
825-300103	11	HRCS/HRB Counting Scale, Loadcell Assembly, 1.5kg
825-300104	11	HRCS/HRB Counting Scale, Loadcell Assembly, 6kg
825-300105	11	HRCS/HRB Counting Scale, Loadcell Assembly, 35kg
825-300106	11	HRCS/HRB Counting Scale, Loadcell Assembly, 80kg
825-300111	12	HRCS/HRB Counting Scale, Load Pan, 1/5 Kg
825-300113	13	HRCS/HRB Counting Scale, Load Pan Skirt, 1/5kg HRB
825-300107	14	HRCS/HRB Counting Scale, Springs, 35kg
825-300108	14	HRCS/HRB Counting Scale, Springs, 80kg

See page 157 for corresponding item numbers and diagram

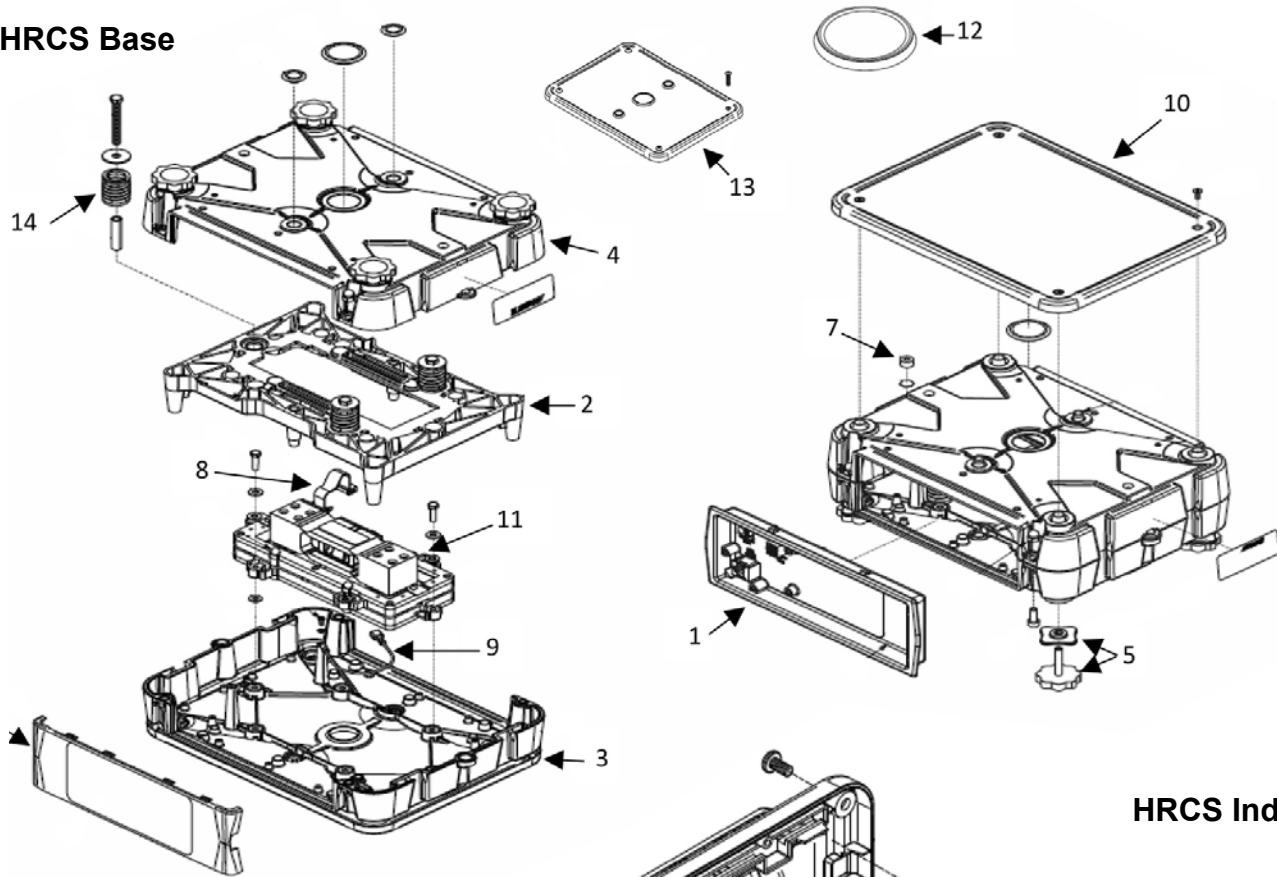
825-300114	15	HRCS Counting Scale, Enclosure
825-300115	16	HRCS Counting Scale, Keypad
825-300116	17	HRCS Counting Scale, Display,
825-300117	18	HRCS Counting Scale, Hardware
825-300119	19	HRCS Counting Scale, Factory Programmed Mainboard
825-300109	Not Shown	HRCS/HRB Counting Scale, Shroud, Ball Top
825-300102	Not Shown	HRCS/HRB Counting Scale, Hardware
825-300101	Not Shown	HRCS/HRB Counting Scale, Handle
825-300120	Not Shown	HRCS/HRB Counting Scale, Power Supply
825-300121	Not Shown	HRCS/HRB Counting Scale, Power Cord

See page 157 for corresponding item numbers and diagram

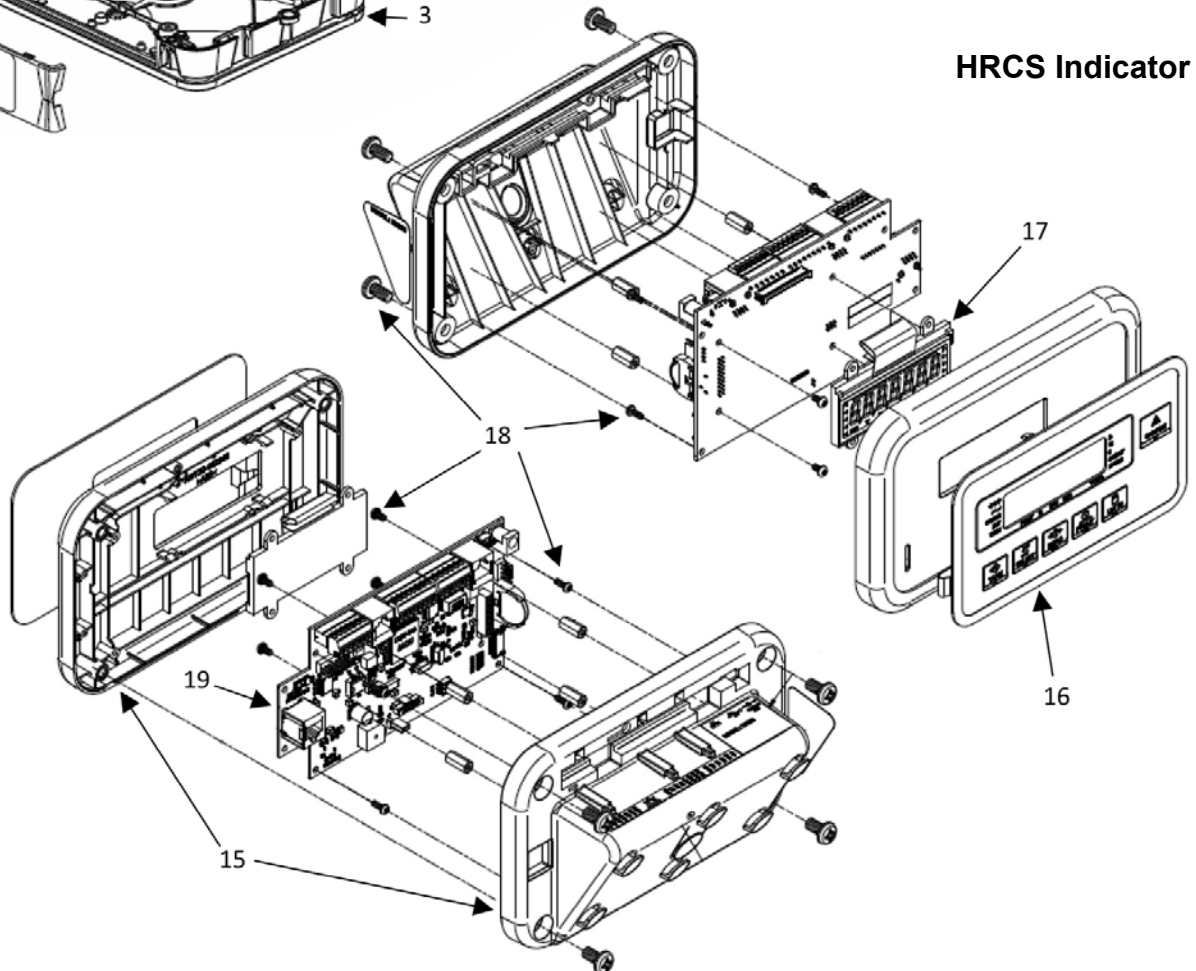
HRCS and HRB

High Resolution Counting Scale and Digital Base

HRCS Base



HRCS Indicator



Bench

Precision Bench Scale

AccuSure - Precision Bench Scale

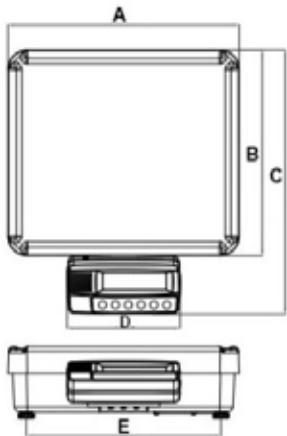
Bench

GENERAL SPECIFICATIONS

- COC: NON-NTEP
- Capacity: 30 kg / 60 lb
- Readability: 0.5 g / 0.001 lb
- Die-cast aluminum base frame
- Stainless steel weighing platter
- Weighing Surface: 14.25" x 12.75"
- Adjustable feet
- Backlit 0.875" LCD display
- AC wall adapter
- Built-in rechargeable battery
- Up to 40 hour battery life
- (1) RS-232 serial port
- Units: lb, kg, oz, g
- Shipping weight: 20 lb

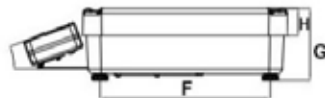


BENCH SCALE APPLICATIONS: Checkweighing, Accumulation, Animal Weighing and Peak Hold



Dimensions in inches

A	B	C	D	E	F	G	H
14.25	12.75	16.25	7.00	12.00	10.50	5.00	3.25



Part Number

Description

899-300109 AccuSure Precision Bench Scale - 30 kg x 0.2 g

Replacement Parts

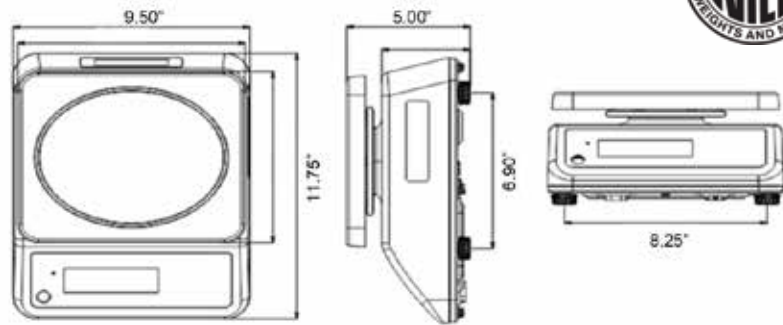
899-300162	AccuSure Top Pan Cover
899-300163	AccuSure Half Round Rubber For Spider Assembly
899-300164	AccuSure Load Cell
899-300165	AccuSure Foot
899-300166	AccuSure Complete Indicator
899-300167	AccuSure Power Supply
899-300168	AccuSure Battery

Portion WD Bench Scale

WorldWEIGH Portion WD Series - Washdown Bench Scale

GENERAL SPECIFICATIONS

- NTEP COC: 20-074
- Capacity:
 - 6 lb x .001 lb / 3kg x .5g
 - 12 lb x .002 lb / 6kg x 1g
 - 30 lb x .005 lb / 15kg x 2g
- Stainless steel IP 65 base
- Stainless steel weighing platter
- Weighing surface: 9" x 7.5"
- Adjustable Feet
- Backlit 1" LCD display
- AC wall adapter
- Built-in rechargeable battery
- Up to 70 hour battery life
- Units: lb, oz, kg, g & lb. oz
- Shipping weight: 9 lb
- Bench Scale Applications:
 - Check Weighing
 - Accumulation
 - Parts Counting
 - Animal Weighing
 - Peak Hold



Bench

Part Number	Description
899-300136	WD-6 6 lb Washdown Bench Scale 6 lb x .001 lb / 3 kg x .5 g
899-300137	WD-12 12 lb Washdown Bench Scale 12 lb x .002 lb / 6 kg x 1 g
899-300138	WD-30 30 lb Washdown Bench Scale 30 lb x .005 lb / 15 kg x 2 g

Replacement Parts

899-300139	WorldWEIGH Portion WD SS Top Pan
899-300140	WorldWEIGH Portion WD Rubber 1
899-300141	WorldWEIGH Portion WD Rubber 2
899-300142	WorldWEIGH Portion WD Pan Support
899-300143	WorldWEIGH Portion WD Front Display PCB
899-300170	WorldWEIGH Portion WD-6 lb Load Cell
899-300171	WorldWEIGH Portion WD-12 lb Load Cell
899-300172	WorldWEIGH Portion WD-30 lb Load Cell
899-300145	WorldWEIGH Portion WD Battery Box Cover
899-300173	WorldWEIGH Portion WD-6 lb Overlay
899-300174	WorldWEIGH Portion WD-12 lb Overlay
899-300175	WorldWEIGH Portion WD-30 lb Overlay
899-300147	WorldWEIGH Portion WD Front Display Protection
899-300148	WorldWEIGH Portion WD Seal Rubber
899-300149	WorldWEIGH Portion WD Foot Fixer
899-300150	WorldWEIGH Portion WD Foot
899-300176	WorldWEIGH Portion WD Battery

Bench Scale

C300 - Bench Scale

GENERAL SPECIFICATIONS

- NTEP COC: 12-077A1
- Capacities: 50, 100 and 250 lb
- Single point load cell bench scale
- Stainless steel weighing platter
- Base frame, epoxy painted mild steel
- Stainless steel bolt-on column for indicator
- 4-point overload protection
- Easy leveling adjustable feet
- BWS indicator has durable stainless steel housing
- Backlit, 2" tall LCD display
- Units: lb, kg
- AC line cord / Built-in rechargeable battery
- 30-hour typical battery operation
- (1) RS-232 serial port
- Simple menu navigation and configuration
- IP65 water resistance rating



100 & 250 lb Capacity Bench Scale

Bench

BENCH SCALE APPLICATIONS

Check Weighing, Accumulation, Parts Counting, Animal Weighing and Peak Hold

Actual Dimensions

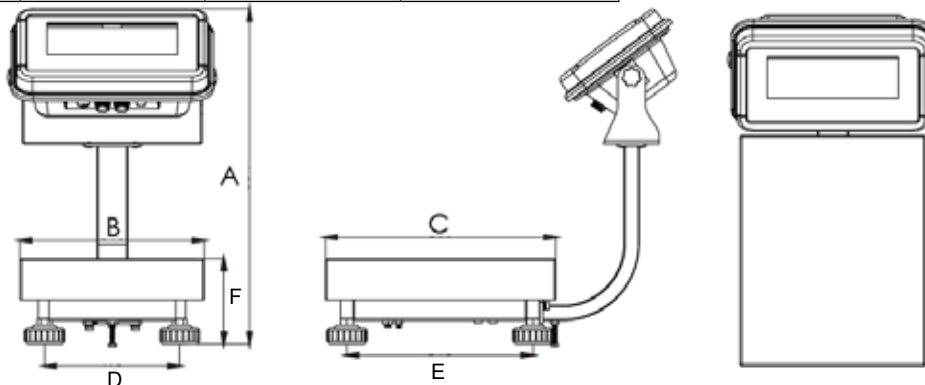
Model	C/300 / 50	C300 / 100	C300 / 250
A	18"	24.5"	24.5"
B	12.63"	15.75"	15.75"
C	14.18"	19.68"	19.68"
D	10.08"	13.23"	13.23"
E	11.89"	18"	18"
F	4.25"	4.25"	4.25"

Capacity	50 lb	100 lb	250 lb
Ship Weight	28 lb	38 lb	38 lb
Package size	30"x20"x8"	37"x22"x9"	37"x22"x9"

Load Cell Capacity	50 kg. / 110 lb	100 kg. / 220 lb	250 kg. / 550 lb
Factory Calibrated	50 lb x .01	100 lb x .02	250 lb x .05



50 lb Capacity Bench Scale



Bench Scale

C300 - Bench Scale

Part Number	Description
899-300046	C300 / 50 WW-1214- 50-BS with BWS Indicator and Column
899-300047	C300 / 100 WW-1620- 100-BS with BWS Indicator and Column
899-300091	C300 / 250 WW-1620-250-BS with BWS Indicator and Column
Replacement Parts	
899-300048	C300 / 50 WW-1214- 50-BS Single Point Load Cell
899-300049	C300 / 100 WW-1620-100-BS Single Point Load Cell
899-300092	C300 / 250 WW-1620-250-BS Single Point Load Cell
899-300050	Bench Scale Leveling Foot - 50 / 100 / 250
899-300051	C300 / 50 HS Style Bolt-on 9" Column
899-300052	C300 / 100 / 250 HS Style Bolt-on 16" Column
899-300053	Rubber Corner Inserts - Between Scale & Platter (kit of 4)
899-300063	Round Rubber Inserts - Between Scale & Platter (kit of 6)
899-300064	C300 / 50 WW-1214-50-BS Stainless Steel Platter
899-300065	C300 / 100 / 250 WW-1620-100-BS Stainless Steel Platter

BENCH SCALE APPLICATIONS

Check Weighing, Accumulation, Parts Counting, Animal Weighing and Peak Hold

Industrial Bench



Single Point Carbon Steel Base

GENERAL SPECIFICATIONS

- Certificate of Conformance: 96-169A2
- Canadian Approval: AM-5207
- Type: Single point bench scale
- Scale Capacity: 5 - 500 lb - NTEP Approved Capacities
- Scale Height: 4" and 5-1/4"
- Available Sizes: 12" x 12" to 30" x 30" - custom sizes upon request
- Weighbridge: Carbon steel heavy duty formed base frame and structural tube spider
- Column: **OPTIONAL** 24" tall structural tube column with indicator mounting plate
Top Plate: 6 in x 7 in / Universal Top Plate: 6 in x 4 in
- Platter: Heavy gage 304 stainless steel
- Finish: Alkyd Enamel painted base frame and spider
- Load Cell: Anodized aluminum single point load cell - 10' cable length
Optional FM load cell (upon request) with IP 65-67
- Overload Protection: 5-point system
- Warranty: 2-Year on weighbridge steel structure
1-Year on load cell

Bench



BT-BC-1818-100-SP Bench Scale
Shown With (Optional) 24" Integral Column

Industrial Bench



Single Point Carbon Steel Base

Part Number	Model Number	Platform	Capacity
912-1001	BT-BC-1212-5-SP	12" x 12"	5 lb
912-1002	BT-BC-1212-10-SP	12" x 12"	10 lb
912-1003	BT-BC-1212-20-SP	12" x 12"	20 lb
912-1004	BT-BC-1212-30-SP	12" x 12"	30 lb
912-1005	BT-BC-1212-50-SP	12" x 12"	50 lb
912-1006	BT-BC-1212-100-SP	12" x 12"	100 lb
912-1007	BT-BC-1212-150-SP	12" x 12"	150 lb
912-1008	BT-BC-1212-200-SP	12" x 12"	200 lb
912-1009	BT-BC-1212-300-SP	12" x 12"	300 lb
912-1017	BT-BC-1818-30-SP	18" x 18"	30 lb
912-1018	BT-BC-1818-50-SP	18" x 18"	50 lb
912-1019	BT-BC-1818-100-SP	18" x 18"	100 lb
912-1020	BT-BC-1818-150-SP	18" x 18"	150 lb
912-1021	BT-BC-1818-200-SP	18" x 18"	200 lb
912-1022	BT-BC-1818-300-SP	18" x 18"	300 lb
912-1023	BT-BC-1818-500-SP	18" x 18"	500 lb
912-1032	BT-BC-2424-50-SP	24" x 24"	50 lb
912-1033	BT-BC-2424-100-SP	24" x 24"	100 lb
912-1034	BT-BC-2424-150-SP	24" x 24"	150 lb
912-1035	BT-BC-2424-200-SP	24" x 24"	200 lb
912-1036	BT-BC-2424-300-SP	24" x 24"	300 lb
912-1037	BT-BC-2424-400-SP	24" x 24"	400 lb
912-1038	BT-BC-2424-500-SP	24" x 24"	500 lb
912-1039	BT-BC-2424-1000-SP **	24" x 24"	1K lb **
<i>** Capacity NOT NTEP</i>			
912-1090	12" tall painted carbon steel bench scale column - universal mount top plate		
912-1091	12" tall painted carbon steel bench scale column - custom top plate		
912-1092	24" tall painted carbon steel bench scale column - universal mount top plate		
912-1093	24" tall painted carbon steel bench scale column - custom top plate		
861-000011-KIT	Quick Disconnect Connector M12 5-Pin Male IP67 Screw Terminal and Female Cable		
912-000002	Foot BC 1/4" - 20 stem, 1.375" diameter base, rigid		
912-000005	Foot BS 3/8" - 16 stem 1.25" diameter base, swivel		
912-000001	1/2" - 20 x 1.5" carbon steel swivel foot / 1,000 lb capacity only		
912-800024	304 SS platter for 12" x 12" bench scale		
912-800030	304 SS platter for 18" x 12" bench scale		
912-800036	304 SS platter for 18" x 18" bench scale		
912-800042	304 SS platter for 24" x 18" bench scale		
912-800048	304 SS platter for 24" x 24" bench scale		
912-800060	304 SS platter for 30" x 30" bench scale		

Bench

Industrial Bench

Single Point Stainless Steel Base



GENERAL SPECIFICATIONS

- Certificate of Conformance: 96-169A2
- Canadian Approval: AM-5207
- Type: Single point bench scale
- Scale Capacity: 5 - 500 lb - NTEP Approved Capacities
- Scale Height: 4" and 5-1/4"
- Available Sizes: 12" x 12" to 30" x 30" - custom sizes upon request
- Weighbridge: 304 stainless steel heavy duty formed base frame and structural tube spider
- Column: **OPTIONAL** 24" tall structural tube column with indicator mounting plate
Top Plate: 6 in x 7 in / Universal Top Plate: 6 in x 4 in
- Platter: Heavy gage 304 stainless steel
- Finish: Media blast finish on base frame and spider
- Load Cell: Anodized aluminum single point load cell - 10' cable length
Environmentally sealed (IP67), 350 Ohms, 2.0 mV/V, **FM Approved**
- Overload Protection: 5-point system
- Warranty: 2-Year on weighbridge steel structure
1-Year on load cell

Bench



BT-BS-1818-100-SP Bench Scale
Shown With (Optional) 24" Integral Column

Industrial Bench



Single Point Stainless Steel Base

Part Number	Model Number	Platform	Capacity
912-3101	BT-BS-1212-5-SP	12" x 12"	5 lb
912-3102	BT-BS-1212-10-SP	12" x 12"	10 lb
912-3103	BT-BS-1212-20-SP	12" x 12"	20 lb
912-3104	BT-BS-1212-30-SP	12" x 12"	30 lb
912-3105	BT-BS-1212-50-SP	12" x 12"	50 lb
912-3106	BT-BS-1212-100-SP	12" x 12"	100 lb
912-3107	BT-BS-1212-150-SP	12" x 12"	150 lb
912-3108	BT-BS-1212-200-SP	12" x 12"	200 lb
912-3109	BT-BS-1212-300-SP	12" x 12"	300 lb
912-3117	BT-BS-1818-30-SP	18" x 18"	30 lb
912-3118	BT-BS-1818-50-SP	18" x 18"	50 lb
912-3119	BT-BS-1818-100-SP	18" x 18"	100 lb
912-3120	BT-BS-1818-150-SP	18" x 18"	150 lb
912-3121	BT-BS-1818-200-SP	18" x 18"	200 lb
912-3122	BT-BS-1818-300-SP	18" x 18"	300 lb
912-3123	BT-BS-1818-500-SP	18" x 18"	500 lb
912-3132	BT-BS-2424-50-SP	24" x 24"	50 lb
912-3133	BT-BS-2424-100-SP	24" x 24"	100 lb
912-3134	BT-BS-2424-150-SP	24" x 24"	150 lb
912-3135	BT-BS-2424-200-SP	24" x 24"	200 lb
912-3136	BT-BS-2424-300-SP	24" x 24"	300 lb
912-3137	BT-BS-2424-400-SP	24" x 24"	400 lb
912-3138	BT-BS-2424-500-SP	24" x 24"	500 lb
912-3139	BT-BS-2424-1000-SP **	24" x 24"	1K lb **
<i>** Capacity NOT NTEP</i>			
912-3190	12" tall stainless steel bench scale column - universal mount top plate		
912-3191	12" tall stainless steel bench scale column - custom top plate		
912-3192	24" tall stainless steel bench scale column - universal mount top plate		
912-3193	24" tall stainless steel bench scale column - custom top plate		
861-000011-KIT	Quick Disconnect Connector M12 5-Pin Male IP67 Screw Terminal and Female Cable		
912-000003	Foot BS 1/4" - 20 stem, 1.375" diameter base, rigid		
912-000005	Foot BS 3/8" - 16 stem 1.25" diameter base, swivel		
912-000001	1/2" - 20 x 1.5" carbon steel swivel foot / 1,000 lb capacity only		
912-800024	304 SS platter for 12" x 12" bench scale		
912-800030	304 SS platter for 18" x 12" bench scale		
912-800036	304 SS platter for 18" x 18" bench scale		
912-800042	304 SS platter for 24" x 18" bench scale		
912-800048	304 SS platter for 24" x 24" bench scale		
912-800060	304 SS platter for 30" x 30" bench scale		

Bench

Industrial Bench

Hermetically Sealed Cell - Stainless Steel Base



GENERAL SPECIFICATIONS

- Certificate of Conformance: 96-169A2
- Canadian Approval: AM-5207
- Type: Single point bench scale
- Scale Capacity: 20 - 500 lb - NTEP Approved Capacities
- Scale Height: 4" and 5-1/4"
- Available Sizes: 12" x 12" to 30" x 30" - custom sizes upon request
- Weighbridge: 304 stainless steel heavy duty formed base frame and structural tube spider
- Column: **OPTIONAL** 24" tall structural tube column with indicator mounting plate
Top Plate: 6 in x 7 in / Universal Top Plate: 6 in x 4 in
- Platter: Heavy gage 304 stainless steel
- Finish: Media blast finish on base frame and spider
- Load Cell: Stainless steel single point load cell - 10' cable length
Hermetically sealed (IP68 / IP69K), 1000 Ohms, 2.0 mV/V, **FM Approved**
- Overload Protection: 5-point system
- Warranty: 2-Year on weighbridge steel structure
1-Year on load cell

Bench



BT-BS-1818-100-SP Bench Scale
Shown With (Optional) 24" Integral Column

Hermetically Sealed Cell - Stainless Steel Base

Part Number	Model Number	Platform	Capacity
912-5201	BT-BS-1212-20-HC	12" x 12"	20 lb
912-5202	BT-BS-1212-75-HC	12" x 12"	75 lb
912-5203	BT-BS-1212-150-HC	12" x 12"	150 lb
912-5204	BT-BS-1212-300-HC	12" x 12"	300 lb
912-5211	BT-BS-1818-20-HC	18" x 18"	20 lb
912-5212	BT-BS-1818-75-HC	18" x 18"	75 lb
912-5213	BT-BS-1818-150-HC	18" x 18"	150 lb
912-5214	BT-BS-1818-300-HC	18" x 18"	300 lb
912-5215	BT-BS-1818-500-HC	18" x 18"	500 lb
912-5219	BT-BS-2424-150-HC	24" x 24"	150 lb
912-5220	BT-BS-2424-300-HC	24" x 24"	300 lb
912-5221	BT-BS-2424-500-HC	24" x 24"	500 lb

Options

912-3190	12" tall stainless steel bench scale column - universal mount top plate
912-3191	12" tall stainless steel bench scale column - custom top plate
912-3192	24" tall stainless steel bench scale column - universal mount top plate
912-3193	24" tall stainless steel bench scale column - custom top plate
861-000011-KIT	Quick Disconnect Connector M12 5-Pin Male IP67 Screw Terminal and Female Cable
912-000005	Foot BS 3/8" - 16 stem 1.25" diameter base, swivel
912-000001	1/2" - 20 x 1.5" carbon steel swivel foot / 1,000 lb capacity only
912-800024	304 SS platter for 12" x 12" bench scale
912-800030	304 SS platter for 18" x 12" bench scale
912-800036	304 SS platter for 24" x 18" bench scale
912-800042	304 SS platter for 24" x 18" bench scale
912-800048	304 SS platter for 24" x 24" bench scale
912-800060	304 SS platter for 30" x 30" bench scale

Bench

AquaShield Base Bench Scale



Stainless Steel Washdown Base



GENERAL SPECIFICATIONS

- Certificate of Conformance: 20-042
- Canadian Approval: AM-6145
- Design: All new design to ease cleaning and prevent accumulation of liquid / materials
- Type: Single point bench scale
- Scale Capacity: 5, 20, 50, 100 and 200 lb
- Scale Height: 4"
- Available Sizes: 10" x 10", 12" x 12" and 18" x 18"
- Weighbridge: 304 stainless steel heavy duty formed base frame and spider
- Column: OPTIONAL 19" tall stainless open frame design for T-401, T-403, T-103 and T-503 indicators
- Platter: Heavy gauge 304 stainless steel
- Load Cell: Standard Aluminum IP65 single point, 10' cable
Stainless Hermetic IP69K single point, 10' cable, FM Approved
- Feet: FDA Compliant
- Warranty: 2-Year on weighbridge steel structure
3-Year on standard load cell
1-Year on IP rated load cell

Platter Size	Capacity and Resolution lb	Capacity and Resolution kg
10" x 10"	5 lb x 0.001 lb	2.5 kg x 0.0005 kg
10" x 10"	20 lb x 0.005 lb	10 kg x 0.002 kg
10" x 10"	50 lb x 0.01 lb	25 kg x 0.005 kg
12" x 12"	50 lb x 0.01 lb	25 kg x 0.005 kg
12" x 12"	100 lb x 0.02 lb	50 kg x 0.01 kg
12" x 12"	200 lb x 0.05 lb	100 kg x 0.02 kg
18" x 18"	50 lb x 0.01 lb	25 kg x 0.005 kg
18" x 18"	100 lb x 0.02 lb	50 kg x 0.01 kg
18" x 18"	200 lb x 0.05 lb	100 kg x 0.02 kg



12" x 12" AquaShield Base Bench Scale

Bench

AquaShield Base Bench Scale



Stainless Steel Washdown Base

AquaShield Washdown

Part Number	Model Number	Platform	Capacity
912-5500	NB-BS-1010-5-SP	10"x10"	5 lb
912-5502	NB-BS-1010-20-SP	10"x10"	20 lb
912-5504	NB-BS-1010-50-SP	10"x10"	50 lb
912-5510	NB-BS-1212-50-SP	12" x 12"	50 lb
912-5511	NB-BS-1212-100-SP	12" x 12"	100 lb
912-5513	NB-BS-1212-200-SP	12" x 12"	200 lb
912-5516	NB-BS-1818-50-SP	18" x 18"	50 lb
912-5517	NB-BS-1818-100-SP	18" x 18"	100 lb
912-5519	NB-BS-1818-200-SP	18" x 18"	200 lb

Bench

AquaShield Max High Pressure Washdown

Part Number	Model Number	Platform	Capacity
912-5521	NB-BS-1010-5-HS	10"x10"	5 lb
912-5523	NB-BS-1010-20-HS	10"x10"	20 lb
912-5525	NB-BS-1010-50-HS	10"x10"	50 lb
912-5531	NB-BS-1212-50-HS	12" x 12"	50 lb
912-5532	NB-BS-1212-100-HS	12" x 12"	100 lb
912-5534	NB-BS-1212-200-HS	12" x 12"	200 lb
912-5537	NB-BS-1818-50-HS	18" x 18"	50 lb
912-5538	NB-BS-1818-100-HS	18" x 18"	100 lb
912-5540	NB-BS-1818-200-HS	18" x 18"	200 lb

Part Number Replacement Parts

888-000001	B-TEK BT-ASP-1-5kg Replacement Load Cell
888-000002	B-TEK BT-ASP-1-10kg Replacement Load Cell
888-000003	B-TEK BT-ASP-1-15kg Replacement Load Cell
888-000005	B-TEK BT-ASP-1-30kg Replacement Load Cell
888-000007	B-TEK BT-ASP-1-75kg Replacement Load Cell
888-000008	B-TEK BT-ASP-1-100kg Replacement Load Cell
814-500018	Flintec PC6 10kg Replacement Load Cell
814-500002	Flintec PC6 20kg Replacement Load Cell
814-500003	Flintec PC6 50kg Replacement Load Cell
814-100075	Flintec PC6 100kg Replacement Load Cell
100-160773-KIT	Stainless Steel Column Assembly (fits all sizes and capacities) 19" tall stainless open frame design for T401, T403, T103 and T-503W indicators / Includes feet and hardware kit
100-160773A-KIT	Complete Stainless Steel Column Mounting Kit <i>includes bolts, spacers, washers</i>
200-160264-1	Spider Assembly Leveling Foot
200-160264	Base/Column Leveling Foot
200-160354	Base/Column Leveling Foot Lock Nut

Options

861-000011-KIT	Quick Disconnect Connector M12 5-Pin Male IP67 Screw Terminal and Female Cable
912-5590	IP69K Stack Light
100-161064-1	IP69K Bracket
912-5591	IP65 Stack Light
100-161064	IP65 Bracket

AquaShield Bench Scale



Stainless Steel Washdown Scale - Base / Column / Indicator



GENERAL SPECIFICATIONS

- Certificate of Conformance: 20-042
- Canadian Approval: AM-6145
- Indicator: T401S or T403S Indicator
- Applications: Comes preconfigured with standard general weighing. Unit can be configured for check weighing, ingredient counting and batching
- Design: All new design to ease cleaning and prevent accumulation of liquid / materials
- Type: Single point bench scale
- Scale Capacity: 5, 20, 50, 100 and 200 lb
- Scale Height: 4"
- Available Sizes: 10" x 10", 12" x 12" and 18" x 18"
- Weighbridge: 304 stainless steel heavy duty formed base frame and spider
- Column: 19" tall stainless open frame design
- Platter: Heavy gauge 304 stainless steel
- Load Cell: Standard Aluminum IP65 single point, 10' cable
- Feet: FDA Compliant
- Warranty: 2-Year on weighbridge steel structure
3-Year on standard load cell

Bench



Platter Size	Capacity and Resolution lb	Capacity and Resolution kg
10" x 10"	5 lb x 0.001 lb	2.5 kg x 0.0005 kg
10" x 10"	20 lb x 0.005 lb	10 kg x 0.002 kg
10" x 10"	50 lb x 0.01 lb	25 kg x 0.005 kg
12" x 12"	50 lb x 0.01 lb	25 kg x 0.005 kg
12" x 12"	100 lb x 0.02 lb	50 kg x 0.01 kg
12" x 12"	200 lb x 0.05 lb	100 kg x 0.02 kg
18" x 18"	50 lb x 0.01 lb	25 kg x 0.005 kg
18" x 18"	100 lb x 0.02 lb	50 kg x 0.01 kg
18" x 18"	200 lb x 0.05 lb	100 kg x 0.02 kg

12" x 12" AquaShield Bench Scale shown with T403S Indicator

AquaShield Bench Scale



Stainless Steel Washdown Scale - Base / Column / Indicator

Bench

AquaShield with T401S

Part Number	Model Number	Platform	Capacity
912-5600	NB-BS-1010-5-SP-T401	10"x10"	5 lb
912-5602	NB-BS-1010-20-SP-T401	10"x10"	20 lb
912-5604	NB-BS-1010-50-SP-T401	10"x10"	50 lb
912-5610	NB-BS-1212-50-SP-T401	12" x 12"	50 lb
912-5611	NB-BS-1212-100-SP-T401	12" x 12"	100 lb
912-5613	NB-BS-1212-200-SP-T401	12" x 12"	200 lb
912-5616	NB-BS-1818-50-SP-T401	18" x 18"	50 lb
912-5617	NB-BS-1818-100-SP-T401	18" x 18"	100 lb
912-5619	NB-BS-1818-200-SP-T401	18" x 18"	200 lb

AquaShield with T403S

Part Number	Model Number	Platform	Capacity
912-5650	NB-BS-1010-5-SP-T403	10"x10"	5 lb
912-5652	NB-BS-1010-20-SP-T403	10"x10"	20 lb
912-5654	NB-BS-1010-50-SP-T403	10"x10"	50 lb
912-5660	NB-BS-1212-50-SP-T403	12" x 12"	50 lb
912-5661	NB-BS-1212-100-SP-T403	12" x 12"	100 lb
912-5663	NB-BS-1212-200-SP-T403	12" x 12"	200 lb
912-5666	NB-BS-1818-50-SP-T403	18" x 18"	50 lb
912-5667	NB-BS-1818-100-SP-T403	18" x 18"	100 lb
912-5669	NB-BS-1818-200-SP-T403	18" x 18"	200 lb

Part Number	Replacement Parts
888-000001	B-TEK BT-ASP-1-5kg Replacement Load Cell
888-000002	B-TEK BT-ASP-1-10kg Replacement Load Cell
888-000003	B-TEK BT-ASP-1-15kg Replacement Load Cell
888-000005	B-TEK BT-ASP-1-30kg Replacement Load Cell
888-000007	B-TEK BT-ASP-1-75kg Replacement Load Cell
888-000008	B-TEK BT-ASP-1-100kg Replacement Load Cell
814-500018	Flintec PC6 10kg Replacement Load Cell
814-500002	Flintec PC6 20kg Replacement Load Cell
814-500003	Flintec PC6 50kg Replacement Load Cell
814-100075	Flintec PC6 100kg Replacement Load Cell
100-160773-KIT	Stainless Steel Column Assembly (fits all sizes and capacities) 19" tall stainless open frame design for T401, T403, T103 and T-503W indicators / Includes feet and hardware kit
100-160773A-KIT	Complete Stainless Steel Column Mounting Kit <i>includes bolts, spacers, washers</i>
200-160264-1	Spider Assembly Leveling Foot
200-160264	Base/Column Leveling Foot
200-160354	Base/Column Leveling Foot Lock Nut

Options

861-000011-KIT	Quick Disconnect Connector M12 5-Pin Male IP67 Screw Terminal and Female Cable
912-5590	IP69K Stack Light
100-161064-1	IP69K Bracket
912-5591	IP65 Stack Light
100-161064	IP65 Bracket

AquaShield Max Bench Scale



Stainless High Pressure Washdown Scale - Base / Column / Indicator



Bench

GENERAL SPECIFICATIONS

- Certificate of Conformance: 20-042
- Canadian Approval: AM-6145
- Indicator: T401S or T403S Indicator
- Applications: Comes preconfigured with standard general weighing. Unit can be configured for check weighing, ingredient counting and batching
- Design: All new design to ease cleaning and prevent accumulation of liquid / materials
- Type: Single point bench scale
- Scale Capacity: 5, 20, 50, 100 and 200 lb
- Scale Height: 4"
- Available Sizes: 10" x 10", 12" x 12" and 18" x 18"
- Weighbridge: 304 stainless steel heavy duty formed base frame and spider
- Column: 19" tall stainless open frame design
- Platter: Heavy gauge 304 stainless steel
- Load Cell: Stainless Hermetic IP69K single point, 10' cable, FM Approved
- Feet: FDA Compliant
- Warranty: 2-Year on weighbridge steel structure
1-Year on IP rated load cell



Platter Size	Capacity and Resolution lb	Capacity and Resolution kg
10" x 10"	5 lb x 0.001 lb	2.5 kg x 0.0005 kg
10" x 10"	20 lb x 0.005 lb	10 kg x 0.002 kg
10" x 10"	50 lb x 0.01 lb	25 kg x 0.005 kg
12" x 12"	50 lb x 0.01 lb	25 kg x 0.005 kg
12" x 12"	100 lb x 0.02 lb	50 kg x 0.01 kg
12" x 12"	200 lb x 0.05 lb	100 kg x 0.02 kg
18" x 18"	50 lb x 0.01 lb	25 kg x 0.005 kg
18" x 18"	100 lb x 0.02 lb	50 kg x 0.01 kg
18" x 18"	200 lb x 0.05 lb	100 kg x 0.02 kg

12" x 12" AquaShield Bench Scale shown with T403S Indicator

AquaShield Max Bench Scale



Stainless High Pressure Washdown Scale - Base / Column / Indicator

Bench

AquaShield Max with T401S

Part Number	Model Number	Platform	Capacity
912-5621	NB-BS-1010-5-T401-HS	10"x10"	5 lb
912-5623	NB-BS-1010-20-T401-HS	10"x10"	20 lb
912-5625	NB-BS-1010-50-T401-HS	10"x10"	50 lb
912-5631	NB-BS-1212-50-T401-HS	12" x 12"	50 lb
912-5632	NB-BS-1212-100-T401-HS	12" x 12"	100 lb
912-5634	NB-BS-1212-200-T401-HS	12" x 12"	200 lb
912-5637	NB-BS-1818-50-T401-HS	18" x 18"	50 lb
912-5638	NB-BS-1818-100-T401-HS	18" x 18"	100 lb
912-5640	NB-BS-1818-200-T401-HS	18" x 18"	200 lb

AquaShield Max with T403S

Part Number	Model Number	Platform	Capacity
912-5671	NB-BS-1010-5-T403-HS	10"x10"	5 lb
912-5673	NB-BS-1010-20-T403-HS	10"x10"	20 lb
912-5675	NB-BS-1010-50-T403-HS	10"x10"	50 lb
912-5681	NB-BS-1212-50-T403-HS	12" x 12"	50 lb
912-5682	NB-BS-1212-100-T403-HS	12" x 12"	100 lb
912-5684	NB-BS-1212-200-T403-HS	12" x 12"	200 lb
912-5687	NB-BS-1818-50-T403-HS	18" x 18"	50 lb
912-5688	NB-BS-1818-100-T403-HS	18" x 18"	100 lb
912-5690	NB-BS-1818-200-T403-HS	18" x 18"	200 lb

Part Number	Replacement Parts
888-000001	B-TEK BT-ASP-1-5kg Replacement Load Cell
888-000002	B-TEK BT-ASP-1-10kg Replacement Load Cell
888-000003	B-TEK BT-ASP-1-15kg Replacement Load Cell
888-000005	B-TEK BT-ASP-1-30kg Replacement Load Cell
888-000007	B-TEK BT-ASP-1-75kg Replacement Load Cell
888-000008	B-TEK BT-ASP-1-100kg Replacement Load Cell
814-500018	Flintec PC6 10kg Replacement Load Cell
814-500002	Flintec PC6 20kg Replacement Load Cell
814-500003	Flintec PC6 50kg Replacement Load Cell
814-100075	Flintec PC6 100kg Replacement Load Cell
100-160773-KIT	Stainless Steel Column Assembly (fits all sizes and capacities) 19" tall stainless open frame design for T401, T403, T103 and T-503W indicators / Includes feet and hardware kit
100-160773A-KIT	Complete Stainless Steel Column Mounting Kit <i>includes bolts, spacers, washers</i>
200-160264-1	Spider Assembly Leveling Foot
200-160264	Base/Column Leveling Foot
200-160354	Base/Column Leveling Foot Lock Nut
Options	
861-000011-KIT	Quick Disconnect Connector M12 5-Pin Male IP67 Screw Terminal and Female Cable
912-5590	IP69K Stack Light
100-161064-1	IP69K Bracket
912-5591	IP65 Stack Light
100-161064	IP65 Bracket

Crane Scale

CNS - Crane Scale

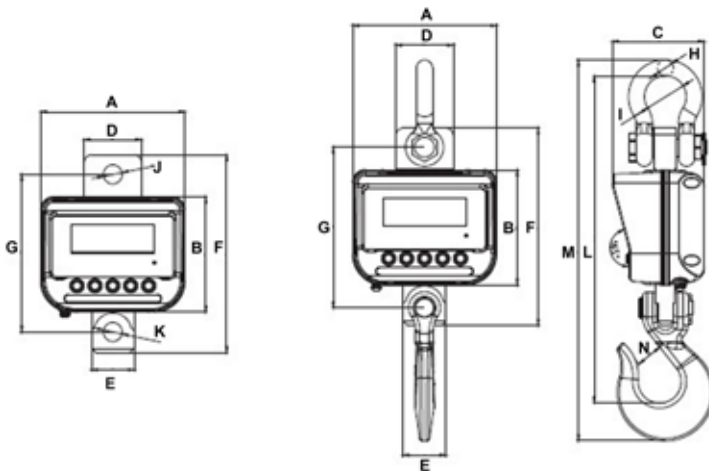
GENERAL SPECIFICATIONS

- COC: NON-NTEP
- Capacities: 6K lb x 2 lb
12K lb x 5 lb
25K lb x 10 lb
- Waterproof enclosure
- Stainless steel load cell
- 500% overload limit
- Die cast aluminum housing, IP65
- 1.2" LCD backlit display
- Front panel mechanical switches
- Built-in rechargeable battery
- Up to 50 hour battery life
- Clevis and hook included
- Wireless remote
- App available for Android users
- AC charging adapter

Overhead



Crane Scale Includes: AC Wall Transformer, Clevis, Hook, Remote



	3T	6T	12T
A	7.9	7.9	7.9
B	6.3	6.3	6.3
C	5	5	5
D	3.25	3.75	3.75
E	2.4	3.75	3.75
F	10.8	12.6	13
G	8.6	9.75	9.75
H	Ø 0.90	Ø 1	Ø 1.25
I	Ø 2.25	Ø 2.7	Ø 3.25
J	Ø 1	Ø 1.2	Ø 1.4
K	Ø 1	Ø 1.2	Ø 1.4
L	18	20.8	22
M	21	24.5	26
N	2	2.5	2.5

Dimensions in inches

Part Number

Description

899-300151	CNS / 3 6K lb x 2 lb Crane Scale
899-300106	CNS / 5 12K lb x 5 lb Crane Scale
899-300152	CNS / 10 25K lb x 10 lb Crane Scale

Replacement Parts

899-300153	CNS Overlay
899-300154	CNS Main Board
899-300155	CNS Battery Cover
899-300156	CNS Adapter Plug
899-300157	CNS Adapter Socket
899-300158	CNS M6 Metal Button
899-300159	CNS Battery
899-300160	CNS External Charger
899-300161	CNS Remote/Wireless BD

Monorail Scale

Stainless Monorail Scale

GENERAL SPECIFICATIONS

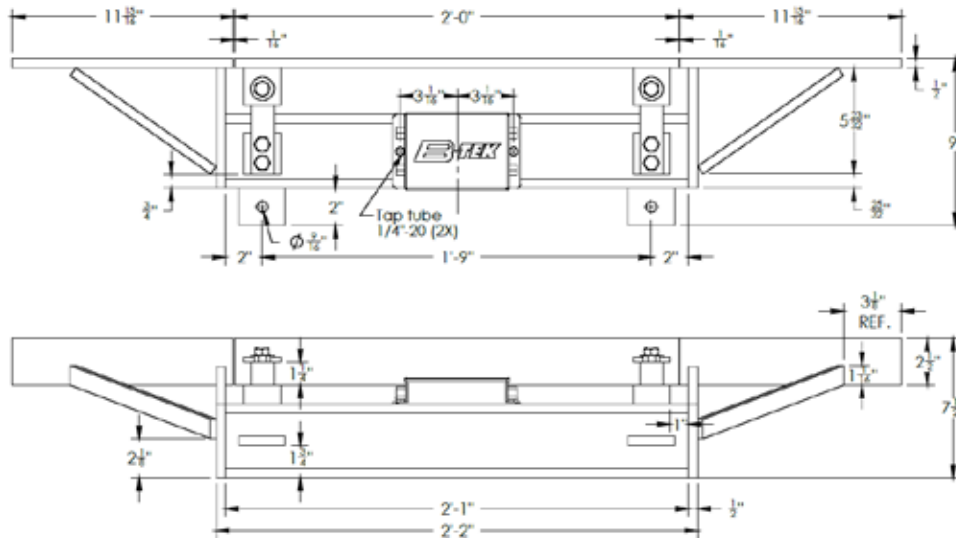
- COC: NON-NTEP
- Type: Monorail
- Scale Capacity: 2K lb standard - custom capacities up to 4K lb
- Scale Length: 48" standard - custom lengths available
- Live Rail: 24" x 2-1/2" x 1/2" standard - custom rail sizes and lengths available
- Weighbridge Material: 304 stainless steel
- Finish: All exposed surfaces are media blasted to a clean, consistent appearance
- Load Cell: Stainless steel (IP67), 350 Ohms, 3.0mV/V
2K capacity: (2) 1,000 lb
Optional hermetically sealed (IP68) cells are available
- Junction Box: NEMA 4X stainless steel junction box with signal trim summing board
- Warranty: 3-Years on monorail frame steel structure
2-Years on load cells, junction box and summing board

Overhead



Standard Monorail Scale
48" Overall Length
24" Live Rail Length

Part Number	Model Number	Description
914-1000	BS-4824-1000-MRS-SS	24" Live Rail – 48" Total Length – 1K lb Capacity / Rail: 24" x 2-1/2" x 1/2"
914-1001	BS-4824-2000-MRS-SS	24" Live Rail – 48" Total Length – 2K lb Capacity / Rail: 24" x 2-1/2" x 1/2"
914-1002	BS-4824-2500-MRS-SS	24" Live Rail – 48" Total Length – 2.5K lb Capacity / Rail: 24" x 2-1/2" x 1/2"



Tension Link

TL & TLW Hanging Scale

GENERAL SPECIFICATIONS

- COC: NON-NTEP
- Capacities: 5T x 5 lb and 10T x 10 lb
- Accuracy: 0.1% of capacity
- NEMA 4 with IP65 housing
- 200% safe / 300% ultimate overload limits
- Resolution: 1000d - 5000d
- Display: 6-digit backlit LCD display with .9-inch digit height
- Units: lb and kg
- Power: AC Adapter (9V/800mA)
- Built-in rechargeable battery pack
- Up to 40 hour of continuous battery life
- Operating Temperature: 0°C - 40°C / 32°F - 104°F

Tension Link WS Wireless Remote Indicator

- Indicator Housing: ABS Plastic
- Keypad: 7 Keys
- Indicator Power: AC Adapter (12V/500mA) / Battery (2000mAh/1.2Vx6)

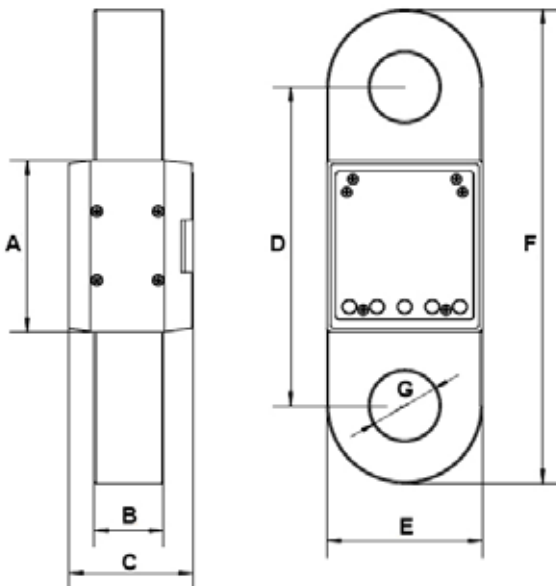
Tension Link WS Scale

- Scale Housing: Aluminum
- Keypad: 1 on/off key
- Scale Power: AC Adapter (9V/800mA) / Built-in rechargeable battery pack / 3 Removable AA batteries

Tension Link WS Wireless



Tension Link WS



	5T	10T
A	3.9	3.9
B	1.2	1.6
C	2.4	2.8
D	6.5	6.5
E	3.5	3.5
F	10.4	10.8
G	1.18	1.57

Dimensions in inches

Tension Link

TL & TLW Hanging Scale

Part Number	Description
899-300107	TL / 5T 5T x 5 lb - Integral LCD weight display
899-300112	TL / 10T 10T x 10 lb - Integral LCD weight display
899-300108	TLW / 5T 5T x 5 lb - Wireless handheld weight display
899-300113	TLW / 10T 10T x 10 lb - Wireless handheld weigh display

Options

899-300134	TL & TLW Tension Link 5T/10T Aluminum Carrying Case, 398 x 318 x 130MM
899-300180	Single Shackle for 5t Tension Link, 8.5T 1" Complete with Nut and Pin
899-300181	Single Shackle for 10t Tension Link, 12T 1.25" Complete with Nut and Pin

Replacement Parts

899-300114	TL Tension Link Overlay with Buttons
899-300115	TL & TLW Tension Link (Scale/Link Unit) Charger 110VAC-9VAC
899-300116	TL & TLW Tension Link (Scale/Link Unit) Battery
899-300117	TL Tension Link Mainboard (Factory install at B-TEK only, Overlay must be replaced with board)
899-300118	TLW Tension Link Scale Overlay with On-Off Button
899-300119	TLW Tension Link Remote Overlay - Upper Display
899-300120	TLW Tension Link Remote Overlay - Lower Keypad
899-300121	TLW Tension Link Replacement Remote Control
899-300122	TLW Tension Link Remote Control Charger 110VAC-12VAC
899-300123	TLW Tension Link Remote Battery (Technician Install Required / Splice Wires)
899-300124	TLW Tension Link Scale Mainboard (Factory install at B-TEK only, Overlay must be replaced with board)
899-300125	TLW Tension Link Remote Mainboard (Technician Install Required / Splice Wires)
899-300126	TLW Tension Link Wireless Module (Factory install required / Paired board, Must replace both)
899-300127	TLW Tension Link Display Board
899-300135	TLW Tension Link AA Battery Holder
899-300169	TLW Tension Link Battery

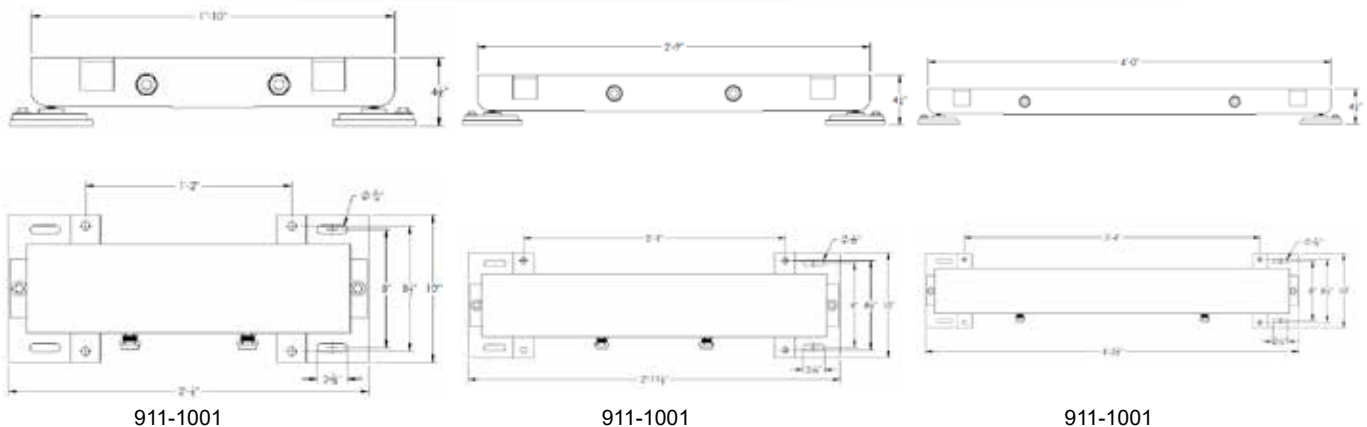
Weigh Rail

Carbon Steel Live Stock Weigh Rails

GENERAL SPECIFICATIONS

- Certificate of Conformance: NON-NTEP
- Type: Above ground mounting - all weather out door construction
- Rail Capacity: 2.5K lb to 10K lb system gross capacity
- Rail Length: 22", 33" and 48"
- Rail Height: 4-1/4"
- Mounting: Lag-down foot retainer plates included with kit
- Weigh Rail Construction: Heavy wall carbon steel structural tubing
- Finish: Alkyd Enamel paint
- Load Cell: 22" - (2) 1K lb plated alloy steel, 350 Ohms, 3.0mV/V cells in each rail
33" - (2) 2.5K lb plated alloy steel, 350 Ohms, 3.0mV/V cells in each rail
48" - (2) 4K lb plated alloy steel, 350 Ohms, 3.0mV/V cells in each rail
- Junction Box: Remote mount NEMA 4X stainless steel junction box with signal trim summing board
- Warranty: 2-Years on weighbridge steel structure
1-Year on load cells, junction box and summing board

Misc.



Part Number	Description
911-1001	22" long weigh rails, 2.5K lb capacity x 0.5 lb
911-1002	33" long weigh rails, 5K lb capacity x 1 lb
911-1003	48" long weigh rails, 10K lb capacity x 2 lb

Optional Weight Indicators

899-300024	BWS - Indicator Kit
821-700000	T103P - Indicator Kit
821-800001	T103SB - Indicator Package
822-200000 KIT	T503W - 110-240 VAC internal power supply and swivel bracket

Pallet Jack Scale

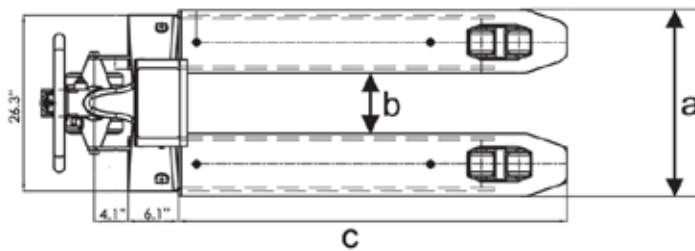
T100 - Pallet Jack Scale

GENERAL SPECIFICATIONS

- 4,400 lb capacity
- Epoxy painted mild steel
- Double front wheel
- Hard rubber rear wheels
- (4) load cells design
- Built-in rechargeable battery
- Battery charge indicator
- Auto shut-off feature
- 40-50 hour battery operation
- HUGE 2" backlit LCD display
- 360 lb shipping weight



Misc.



	A	B	C
Narrow Fork	21.8"	7.9"	45.7"
Wide Fork	27"	11.8"	48.4"

Part Number	Description
899-300023	T100-NF (narrow fork) 2K Kg / 4.4K lb
899-300009	T100-WF (wide fork) 2K Kg / 4.4K lb

Replacement Parts

899-300100	T100 Main PCB
899-300090	T100 Display Overlay
899-300103	T100 CS SESB Load Cell

U-Style Scale

Pallet Scale

GENERAL SPECIFICATIONS

- Certificate of Conformance: NON-NTEP
- Type: Above ground portability with wheels.
- Scale Capacity: 2500 X 0.5lb
5000 X 1lb
- Available Sizes: 4'x4'
- Scale Height: 4.25"-4.5"
- Weighbridge: Carbon and Stainless steel with handles and portability wheels
- Paint System: Alkyd Enamel
- Load Cell: Plated alloy steel, 350 Ohms, 3mV/V
- Leveling Foot: B-TEK stainless steel ball encapsulated foot – 2.5" diameter base
- Junction Box: B-TEK FRP J-Box W / JB-2000 summing board
- Warranty: 2-Years on weighbridge structure
1-Year load cell

Misc.

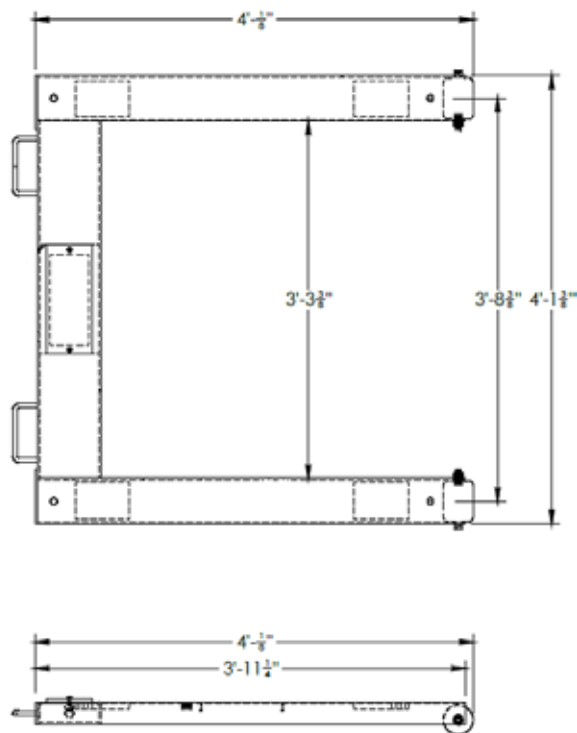


U-Style Scale

Pallet Scale

Part Number	Description
911-5001	48"x48" U-Style Pallet Scale Carbon Steel 2,500 lb. x 0.5 lb Base
911-5000	48"x48" U-Style Pallet Scale Carbon Steel 5,000 lb. x 1 lb Base
911-5020	48"x48" U-Style Pallet Scale Stainless Steel 2,500 lb. x 0.5 lb Base
911-5021	48"x48" U-Style Pallet Scale Stainless Steel 5,000 lb. x 1 lb Base
911-5002	42"x48" U-Style Pallet Scale Carbon Steel 2,500 lb. x 0.5 lb Base
911-5003	42"x48" U-Style Pallet Scale Carbon Steel 5,000 lb. x 1 lb Base
911-5022	42"x48" U-Style Pallet Scale Stainless Steel 2,500 lb. x 0.5 lb Base
911-5023	42"x48" U-Style Pallet Scale Stainless Steel 5,000 lb. x 1 lb Base

Misc.



Hopper Scale

Portable Hopper Scale

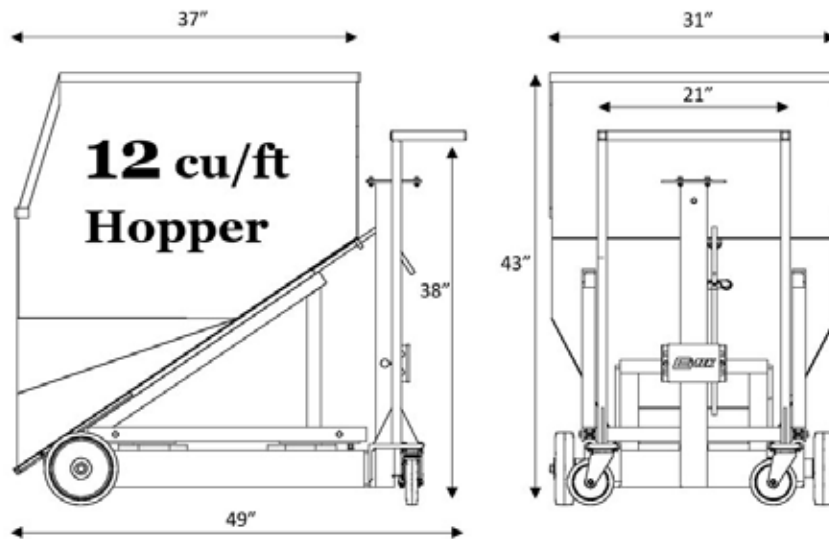


GENERAL SPECIFICATIONS

- Certificate of Conformance: 23-091 1,000 X 1lb
- 1K lb capacity
- Hopper: 31.5" x 37.75"
- 12 cu/ft hopper capacity
- Lever actuated slide gate
- Front / Bottom material discharge
- All steel construction
- Alkyd Enamel paint
- Fixed front wheels
- Swivel rear wheels
- Dual load cell design
- **T104S weight indicator (included)**
- Stainless indicator housing
- Built-in rechargeable battery
- Up to 70 hour battery life
- 1" backlit LCD display



Misc.



Part Number

Description

912-3024

1K lb capacity Weigh-Buggy with T104S indicator

Alpha-Numeric Remote Displays



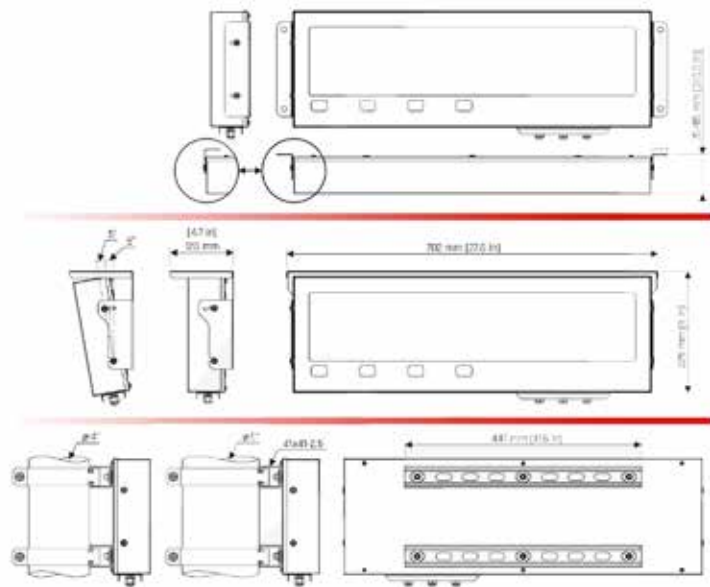
BT-470 SUPERBRIGHT LED Scoreboard / Remote Display

STANDARD FEATURES

- Superbright red LED array with a wide reading angle
- Digit height: 4.7 in / 120 mm, five-digit fonts
- Automatic LED intensity adjustment
- Accepts: Ethernet, RS-232, and RS-422 / RS485 inputs
- All ports optically isolated
- Configurable baud rate 2400 to 19,200
- Auto-Learn feature automatically decodes data stream
- Displays alpha and numeric digits
- Compatibility with all weight indicators
- 120-240 VAC 47-63Hz, Average power consumption: 7W
- Operating temperature range -13°F + +158°F / -25°C to +70°C
- 60" AC line cord
- Weatherproof Durable powder-coated mild steel housing, IP65 Protection
- Drop-down electronics carriage for quick and easy installation and service
- Sun visor (hood) and 3.5" pole mount hardware standard with item 841-100040
- Wall mount brackets come standard with 841-100041 (No Visor Included)
- LB / KG and GR / NT display character annunciators
- Configurable on web panel via ethernet connection, or main board buttons
- Custom string / application configuration software
- Dimensions: 26.7 W x 8.7 H x 2.9 D in
- Weight: 11 lb / 5.0 kg
- 3 Year warranty



Peripherals



Alpha-Numeric Remote Displays



BT-470 SUPERBRIGHT LED Scoreboard / Remote Display

Part Number	Description
841-100040	BT-470 4.7" LED Array Display w/ Visor, 3.5" Pole Brackets, & Annunciators
841-100041	BT-470 4.7" LED Array Display w/ Annunciators (Wall Mount Only, No Visor)
841-500074	BT-470 Visor
841-500075	BT-470 Pole Mount Kit w/ 2" Pipe Clamps
841-500076	2.5" Pole Clamp (Qty ea. / need two per scoreboard)
841-500077	3.5" Pole Clamp (Qty ea. / need two per scoreboard)
841-500078	4.5" Pole Clamp (Qty ea. / need two per scoreboard)
841-500079	5.5" Pole Clamp (Qty ea. / need two per scoreboard)
200-84232	Mounting pole w/ 3.5" O.D., 96" height, 16" x 16" base plate
841-500038	Mounting bracket for all 2" and 4" scoreboards
841-500039	Mounting bracket for all 6" scoreboards
Replacement Parts	
841-500080	BT-470 Main CPU Board (requires soldering to replace)

Peripherals

Numeric Remote Displays

SUPERBRIGHT LED Remote Display

STANDARD FEATURES

- 6-digit Superbright red LED display (double-row digits on 4" and 6")
- Auto-Learn feature automatically decodes data stream
- Adjustable LED intensity
- Weatherproof powder coated aluminum alloy enclosure
- LB / KG and GR / NT display character annunciators
- Mirror display function
- Accepts: 20 mA, RS-232 and RS-422 / 485 inputs
- Configurable baud rate 300 to 19,200
- (Echo) retransmit data stream output
- 120 VAC (standard) or 12 VDC (optional) operating voltage
- 60" AC line cord
- Sun visor (hood) standard
- 2-Year warranty

STANDARD LED REMOTE DISPLAY

Includes annunciator dots showing net/gross and lb/kg

Part Number	Size
841-100028	1"
841-100009	2"
841-100007	4"
841-100008	6"
841-100025	9"



1" Display



2" Display



4"/6" Display



9" Display

TRAFFIC CONTROL LED REMOTE DISPLAY

Includes red/green light and annunciator dots showing net/gross and lb/kg

Part Number	Size
841-100014	2"
841-100011	4"
841-100012	6"



2" Display



4" Display



6" Display

WIRELESS LED REMOTE DISPLAY

Includes built in transceiver, external antenna, external wireless XTP and annunciator dots showing net/gross and lb/kg

Part Number	Size
841-100029	2"
841-100030	4"
841-100031	6"



2" Display



4" Display



6" Display

Numeric Remote Displays

SUPERBRIGHT LED Remote Display

WIRELESS TRAFFIC CONTROL LED REMOTE DISPLAY

Includes built in transceiver, external antenna, external wireless XTP and annunciator dots showing net/gross and lb/kg

Part Number	Size
841-100032	2"
841-100033	4"



2" Display



4" Display

LED REMOTE DISPLAY WITH LB/GR CHARACTER DISPLAY

Includes side display showing net/gross and lb/kg

Part Number	Size
841-100010	4"
841-100013	6"



4" Display



6" Display

TRAFFIC CONTROL LED REMOTE DISPLAY WITH LB/GR CHARACTER DISPLAY

Includes red/green light and side display showing net/gross and lb/kg

Part Number	Size
841-100079	4"
841-100078	6"



4" Display



6" Display

12V LED REMOTE DISPLAY

Operates on 12v DC power and Includes annunciator dots showing net/gross and lb/kg

Part Number	Size
841-100017	2"
841-100018	4"



2" Display



4" Display

Peripherals

Numeric Remote Displays



SUPERBRIGHT LED Remote Display

Part Number	Replacement Parts
841-500023	AC power board for 2", 4", 6" and 3.5" SG
841-500054	XT & XTP series power supply & 1" scoreboard power supply
841-500022	Main CPU board, standard scoreboard - 4", 6"
841-500055	Main CPU board, scoreboard w/ SG signal - 4", 6"
841-500017	Main CPU / display board - 2"
841-500061	Main CPU / display board - 2" with Stop/Go signal
841-500063	New 4" LED display board kit - all boards for all digits
841-500064	New 6" LED display board kit - all boards for all digits
841-500007	Master / slave display board connection ribbon cable - 4", 6"
841-500052	Lightning Repair Chip Kit - all socketed chips on main board
841-500036	4" scoreboard mounting bracket
841-500051	LP1 - 232 / 422 current loop surge adapter
841-500056	3.5" SG signal replacement for 4" & 6" scoreboard w/ SG
841-500062	Scoreboard replacement power cord w/ connector & strain relief
841-500028	XT200 transceiver built into 2", 4" & 6" scoreboard
841-500038	2" and 4" Superbright mounting bracket NEW STYLE
841-500039	6" Superbright mounting bracket NEW STYLE

Wireless Transceivers

XTP & XT Series Transceivers

STANDARD FEATURES

- 2.4 GHz Wireless Transceiver
- Field Configurable - No PC Required For Setup
- Works With Any Weight Indicator Serial Output
- Simple Configuration With DIP Switches
- All Common Serial Communication Protocols Supported
- Network ID For Multiple Unit Installation
- Configurable Baud Rates
- On-Board LED Function Indicators
- Built-In Antenna
- NEMA 4 Weatherproof Surface Mount Enclosure
- XT and XTP Radios are Compatible



Part Number	Description
841-500065	XTP Wireless Transceiver - Single Unit
841-500066	XTP-INPUT 5V TTL input relay option card
841-500067	XTP-OUTPUT 5V TTL output relay option card
841-500071	XTP Extended Range 9 DBI Antenna w/ 4ft cable and magnetic base
841-500072	XTP Extended Range 18 DBI Yagi Antenna w/ U-Bolt Mount
841-500073	XTP 5 Meter Female to Male Extension Cable
841-500068	XTP-R2 Wireless Transceiver w/ two contact relays – single unit
841-500069	XTP-R4 Wireless Transceiver w/ four contact relays – single unit
841-500070	XTP-R8 Wireless Transceiver w/ eight contact relays – single unit
841-500024	XT100 Wireless Transceiver - Single Unit - While Supplies Last
841-500027	XT200 Wireless Transceiver - Single Unit - While Supplies Last

XT400 or XTP with XTP-output card can manually control red/green traffic signal mounted in scoreboard.

Replacement Parts

841-500054	XT Series power supply & 1" scoreboard power supply	60.00	D
841-500053	XT Series antenna	50.00	D

	XT100	XT300 & 400	XTP	XTP-R2, R4, & R8
Baud Rate 1200 2400 4800 9600 19200	9600 (fixed)	• • • • •	• • • • •	• • • • •
Protocol RS 232 20 ma CL Active 20 ma CL Passive RS422 RS485	•	• • • • •	• • • • •	• • • • •
Line of Sight Range	1/4 Mile Outdoor 75 Feet Indoor	1 Mile Outdoor 300 Feet Indoor	2 Mile Outdoor 600 Feet Indoor	2 Mile Outdoor 600 Feet Indoor
Networked ID's	1	16	16	16
Configuration	Fixed	In Field	In Field	In Field
Enclosure	NEMA 4	NEMA 4	NEMA 4	NEMA 4

Specialty Items

B-TEK Truck-On-Scale Sentinel

STANDARD FEATURES

- On/off selector switch
- Mallory alarm with volume control
- 2-relay set point board
- (2) Watertight strain relief's
- FRP enclosure
- 6 foot power cord

DELUXE FEATURES (SENTINEL DELUXE ONLY)

- Off delay timer
- 5 Volt power supply
- Acknowledge push button



863-000026



863-000027

Part Number	Description
863-000026	Truck-on-scale Sentinel standard - TOSS-STD
863-000027	Truck-on-scale Sentinel deluxe - TOSS-DX
863-000028	Deluxe Toss Box with Auto Traffic Light Controller

Intercom System

Wireless 2-Way Radio Intercom

Standard Features

Outdoor 2-Way Radio Call Box

- License free VHF radio
- Push to talk operation
- Weatherproof polycarbonate enclosure
- Battery (D-Cell) or 120 VAC power option

Indoor 2-Way Radio Base Station

- Multiple base stations can be used
- Desk or wall mount
- Up to 2-mile line of site operation
- Radios are field or software programmable



Part Number	Description
872-000021	(1) Indoor Base Station (1) Outdoor Call Box (D-Cell Battery Powered)
872-000022	(1) Indoor Base Station (2) Outdoor Call Box (D-Cell Battery Powered)
872-000023	(1) Indoor Base Station (1) Outdoor Call Box (120 VAC Powered)
872-000024	(1) Indoor Base Station (2) Outdoor Call Box (120 VAC Powered)
872-000025	(1) Indoor Base Station (1) Outdoor Call Box (120 VAC Powered) (1) Loud Mouth Speaker & Radio
872-000026	(1) Indoor Base Station (2) Outdoor Call Box (120 VAC Powered) (2) Loud Mouth Speaker & Radio
872-000027	(1) Indoor Base Station (1) Outdoor Call Box (1) Loud Mouth Speaker & Radio (1) RSS-200 Solar Power Package
872-000028	(1) Indoor Base Station (2) Outdoor Call Box (2) Loud Mouth Speaker & Radio (2) RSS-200 Solar Power Package
872-000029	(1) Indoor Base Station (1) Outdoor Call Box (1) RSS-100 Solar Power Package
872-000030	(1) Indoor Base Station (2) Outdoor Call Box (2) RSS-100 Solar Power Package

Intercom System



Wireless 2-Way Radio Intercom

Part Number	Parts & Accessories
872-000034	Hand Held Radio - 8 CH VHF
872-000035	Base Station - 10 CH VHF Intercom
872-000036	Call Box - VHF, Green
872-000037	Call Box AC Adapter
872-000038	Call Box Goose Neck Mounting Plate
872-000039	Loud Mouth Speaker & Radio
872-000040	Loud Mouth Outdoor Weather Enclosure
872-000041	Q-Series RSS-100 Solar Panel Kit (Outdoor Call Box Only)
872-000042	Call Box Programming Kit
872-000043	Call Box Programming Cable
872-000044	Loud Mouth Programming Cable
872-000045	Loud Mouth Programming Cable
872-000046	Loud Mouth "Y" Cable
872-000047	Loud Mouth Speaker Only
872-000048	Loud Mouth RSS-200 Solar Panel Kit
100-160746	Mounting Bracket - Call Box to Bottom of DD2050
200-160104	Call Box 4" Pole Mount Goose Neck w/ Hardware
200-160105	Loud Mouth Speaker - 4" Pole Mount Bracket w/ Hardware
200-160106	Loud Mouth Radio & Solar Option - 4" Pole Mount Bracket w/ Hardware
200-160107	Call Box Adjustable Arm - 3" Pole Mount Goose Neck w/ Hardware
200-160108	Loud Mouth Speaker - 3" Pole Mount Bracket w/ Hardware
200-160109	Loud Mouth Radio & Solar Option - 3" Pole Mount Bracket w/ Hardware

Peripherals

Intercom System

Aiphone Wired Intercom

STANDARD FEATURES

- Simple and reliable system
- Desk mount 3-call master station
- Adjustable volume control
- Simple wiring - only two wires needed from base to horn
- Press to talk, release to listen operation
- Audible call tone (when optional call button used)
- Weatherproof paging horns



Part Number	Description
872-000020	Intercom System: (1) Aiphone M3PS 3-call station (2) P25 in-line capacitors (1) 6V Power Supply - SKK-620C (2) AP15 paging horns (1) 250 ft. intercom interconnect wire
Parts & Accessories	
861-000001	Intercom Interconnect Wire - 18/4 w/ Foil Shield
872-000008	Intercom 3-Call Master Station - LEM-3
872-000009	Intercom 6V Power Supply - SKK-620C
872-000004	AP15 Paging Horn
872-000001	P25 In-Line Capacitors
872-000010	Intercom Transformer LT-1
872-000011	Intercom Transformer Mounting Enclosure
200-84234	PA Horn U-Bolt Bracket 3.5" OD Pipe

Peripherals

Intercom System

Voice Over IP Wired Intercom

STANDARD FEATURES

- Digital HD sound quality with noise cancellation technology
- Makes it easier to hear drivers while truck is running
- Independent and automatic volume control.
- 6 Configurable input/outputs & 1 Relay to connect photo eyes, setpoints, lights
- Push to talk operation or call from office
- IP66 Weatherproof front panel
- 24VDC call box power or POE switch
- Multiple base stations and outdoor kiosks can be used
- Desk or wall mount
- Ability to panel mount in DD2050 or custom panels with TA-5 Bracket
- Surface mount with TA-1 Outdoor Enclosure
- Programmable via computers ethernet cable. All product needs configured prior to install
- Can be standalone system, does not have to be connected to area network
- Built in video capability when using TCIV-2 & ITSV-2 and ITSV 3 Models
- Purchase convenient kits listed below, or purchase system ala-cart
- Install VS-Client to use your computer to talk with outdoor IP stations, 10 free licenses with every IC-Edge installation
- Mobile application license included with purchase for a 60 day trial period. Wireless "Wifi" access point connection required
- Important Note: POE Switch & ethernet cable is required and not included w/ kits. Select switch by the number of devices powered



872-000070 - IC-EDGE Intercom Kit - ITSV-2 / TCIS-1 / TA-1



ITSV-3

Peripherals

	Part Number	Description
Kits	872-000070	IC-EDGE Intercom Kit - ITSV-2 / TCIS-1 / TA-1
	872-000071	IC-EDGE Intercom Kit - ITSV-2 / TCIS-2SS / TA-1
	872-000072	IC-EDGE Intercom Kit - ITSV-2 / TCIS-3 / TA-1
	872-000079	IC-EDGE Video Intercom Kit - ITSV-2 / TCIV-2 / TA-1
	872-000082	IC-EDGE Video Intercom Kit - ITSV-2 / TCIV-3 / TA-1

	Part Number	Description
Outdoor IP Stations	872-000050	IC-EDGE TCIS-1 Yellow 1-button w/ M&C Keys
	872-000051	IC-EDGE TCIS-2SS Stainless Steel 1-Button
	872-000052	IC-EDGE TCIS-3,Black ABS 1-Button
	872-000053	IC-EDGE TCIV-2 Vandal/Stainless Steel – Video Intercom
	872-000054	IC-EDGE TCIV-3 Black ABS Single Button – Video Intercom

	Part Number	Description
Outdoor IP Accessories	872-000055	TA-14 Microphone Windscreen TCIS/TCIV
	872-000056	TA-1 Surface Back Box-Turbine (Surface Mount Box)
	872-000057	TA-5 Bracket for US 2 Gang Backbox
	872-000058	TA-2 Double gang flush back box - Turbine

Intercom System



Voice Over IP Wired Intercom

	Part Number	Description
IP Base Stations	872-000091	ITSV-2 IP Touch Station with Video
	872-000092	ITSV-3 IP Touch Station with Video
	872-000060	IC-Edge Ip Desk Dual Display Station
	872-000061	IC-Edge 7007 Optional Gooseneck MIC
	872-000062	IP66 HD Telephone w/Keypad
	872-000063	SDS-1 SIP Desk Station w/Display and dual LAN
	872-000086	EXIGO ECPIR-3P 3 Button Call Panel Base Station
	872-000094	IPDM-V2P Desk Master Staion V2 - Push to Talk
	872-000095	Digital VOIP Noise Canceling Intercom Kits
	872-000096	Digital VOIP Noise Canceling Intercom Kits
	872-000097	Digital VOIP Noise Canceling Intercom Kits
	872-000087	EXIGO MB-30G Goosneck Microphone for ECPIR-3P
	872-000088	EXIGO EMBIR-1 Desktop Box for ECPIR-3P

	Part Number	Description
Base Station Accessories	872-000066	CS540 & APD-80 Wireless Headset Kit for ITSV-1
	872-000064	CS540 Convertible Dect 6.0 NA Wireless Headset for ITSV-1
	872-000065	APD-80 EHS Electronic Hook Switch Adapter for Wireless Headset to ITSV-1
	872-000067	IC-EDGE Mobile App
	872-000085	IC-EDGE-SIP-Client Extension for third party PC-Video

	Part Number	Description
PoE Switch (Required)	872-000068	5-Port Gigabit Ethernet Unmanaged Switch with PoE Power 3 Devices
	872-000069	8-Port PoE/PoE+ Gigabit Ethernet Unmanaged Switch Power 8 Devices
	872-000077	DD2050 Din Rail Mount PoE Switch and Power Supply Kit - 4 Devices

Part Number	Parts & Accessories
861-000021	RJ45 plug for Cat5 cable
861-000020	RAW STP Cat5 cable
872-000078	VOIP System pre-configured at B-TEK
878-000015	Photo-eye kit, pair of photo eyes with brackets, power enclosure, and cables
878-000026	DD2050 Photo-eye kit, pair of photo eyes with brackets and cables
100-160747	Cut opening into DD2050 panel for IC-EDGE install
200-160110	IC-EDGE TA-1 Adjustable Arm - 3" Pole Mount Goose Neck w/ Hardware
200-160111	IC-EDGE TA-1 Adjustable Arm - 4" Pole Mount Goose Neck w/ Hardware
872-000093	VOIP Horn

Peripherals

SUPERBRIGHT LED Traffic Signal

STANDARD FEATURES

- Available in 3.5" and 8" diameter
- Toggles signal color with red and green LEDs
- Accepts: Contact, voltage level or serial data stream to toggle color
- Contact closure, TTL, 20 mA Current Loop, RS-232 and RS-422 / 485 inputs
- Configurable baud rate 1200 to 9,600
- 110-220 VAC (standard) or 12 VDC (optional) operating voltage
- Weatherproof powder coated aluminum alloy enclosure
- Universal mounting bracket
- Sun visor (hood) standard
- 2-Year warranty

Optional Features

- Wireless data communication



8" Diameter Traffic Signal



3.5" Diameter Traffic Signal

Part Number	Description
841-100016	3.5" LED Red / Green LED traffic signal
841-100024	8" LED Red / Green LED traffic signal

Replacement Parts

841-500057	Main LED board for 3.5" traffic signal
841-500023	AC power board for 2", 4", 6" and 3.5" SG
841-500058	Main LED board for 8" LED traffic signal
841-500060	Internal power supply for 8" SG

TL-280 Smart LED Traffic Signal

STANDARD FEATURES

- Available in 2.8" diameter signals
- Toggles signal color with red and green LEDs
- Accepts: Contact, voltage level or serial data stream to toggle color
- Contact closure TTL, TCP I/P Ethernet, 20 mA Current Loop, RS-232 and RS-422 inputs
- Baud rate 300 to 230400
- Can display symbols and alpha numeric characters
- Automatic light sensor, adjusts for day and night use
- 110 VAC Power / 2-Meter Power cord, 10-meter cat 5 cable w/ RJ45 connector
- Weatherproof IP65 powder coated steel enclosure
- Universal mounting bracket for pole mount, wall mount, or side of BT-470
- Sun visor (hood) standard w/ 3" U-Bolt bracket
- 3-Year warranty

OPTIONAL FEATURES

- Operator Panel



Peripherals

Part Number	Description
841-100042	TL-280 Red / Green LED traffic signal
	Options
841-500083	Operators Panel for TL-280 Stop / Go Lights

Traffic Signals



"Traffic Cop" Traffic Light Control System

STANDARD FEATURES

- Weatherproof polycarbonate traffic light housing
- 8" lens
- Solid state LED light modules
- Rugged aluminum mounting pole and pedestal
- Manual control station

Part Number	Description
873-TRAFFIC COP-1	Traffic Cop - 1 (1) 8" red / green traffic signal with sun visors and LED lights (1) Slip fitter mount for top of pole mounting (1) Economy manual control station (1) 7 ft. aluminum pole with pedestal base and anchor bolts
873-TRAFFIC COP-1D	Traffic Cop - 1D Same package as above including a deluxe control station with status indicators, housed in console enclosure
873-TRAFFIC COP-2	Traffic Cop - 2 (2) 8" red / green traffic signal with sun visors and LED lights (2) Slip fitter mount for top of pole mounting (1) Economy manual control station (2) 7 ft. aluminum pole with pedestal base and anchor bolts
873-TRAFFIC COP-2D	Traffic Cop - 2D Same package as above including a deluxe control station with status indicators, housed in console enclosure
Parts & Accessories	
873-000012	Red / Green signal with sun visor and LED lights - Model TL-TS
873-000007	Traffic signal top closure cap - Model TL-SC
873-000008	Slip fitter to pole mount traffic light – Model TL-SF
873-000015	Side mount bracket for signal mounting on side of building - Model TL-SMB
873-000006	7 ft. spun aluminum pole - Model TL-POLE
873-000005	Square aluminum pedestal base for pole - Model TL-PB
873-000024	Top cap for aluminum pole
873-000011	Economy control station in FRP enclosure
873-000010	Deluxe control station with status indicators, housed in console enclosure
873-000002	69w traffic signal replacement bulb
873-000022	Traffic signal replacement bulb - 8" red LED
873-000023	Traffic signal replacement bulb - 8" green LED

Peripherals

Part Number	Description
831-000026KIT	Epson TM-U295 ticket printer with power supply
831-000026	Epson TM-U295 ticket printer only - <i>without power supply</i>
Parts & Accessories	
835-300013	TM-U295 power supply - 24 VDC
835-100004	TM-U295 print ribbon - Black
835-300014	RS-232 printer cable - DB9 male - DB25 male
835-200006	BSI preprinted scale tickets - package of 100



Part Number	Description
831-000027KIT	TM-590 serial slip receipt printer with PS-180 power supply package
Parts & Accessories	
831-000027	TM-590 serial slip receipt printer
835-300013	PS-180 power supply - 24 VDC
835-300015	Epson ERC31B black ribbon cartridge for U590

Part Number	Description
831-000028	Epson TM-U220 roll tape printer with power supply
Parts & Accessories	
835-300013	TM-U220 power supply - 24 VDC
835-100007	TM-U220 print ribbon - Black
835-200004	TM-U220 single ply paper roll
835-300014	RS-232 printer cable - DB9 male - DB25 male



Part Number	Description
821-550106	PL-180 RMS / 12VDC panel mount printer
Parts & Accessories	
821-550107	PL-180 paper roll
821-550108	PL-180 print ribbon—Black
821-550109	PL-180 printer: spindle, rear housing & front cover kit
821-550111	PL-180 replacement print head mechanism

Part Number	Description
831-000037	ZEBRA ZD411, direct thermal, 203 DPI, USB, USB HOST, modular connectivity slot, BTLE5, U.S. cord, EZPL
831-000038	ZEBRA ZD411, thermal transfer, 203 DPI, USB, USB HOST, modular connectivity slot, BTLE5, U.S. cord, EZPL
831-000039	ZEBRA ZD421, direct thermal, 203 DPI, USB, USB HOST, modular connectivity slot, BTLE5, U.S. cord, EZPL
831-000040	ZEBRA ZD421, thermal transfer, 203 DPI, USB, USB HOST, modular connectivity slot, BTLE5, U.S. cord, EZPL

Part Number	Description
Parts & Accessories	
835-100016	ZEBRA KIT, serial module, ZD421D, ZD421T, ZD411D, ZD411T
835-100017	ZEBRA KIT, upgrade, dispenser, ZD421D, ZD621D
835-100018	ZEBRA KIT, upgrade, dispenser, ZD421T
835-100019	ZEBRA KIT, dispenser for media with a liner, ZD411D, ZD611D
835-100020	ZEBRA KIT, dispenser, ZD611T, ZD411T

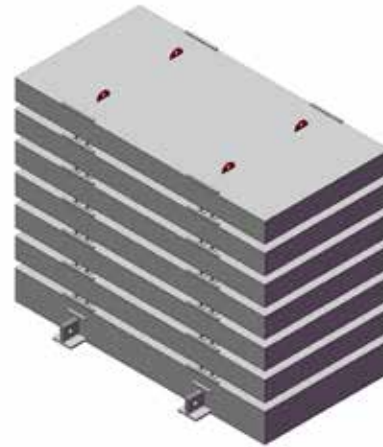
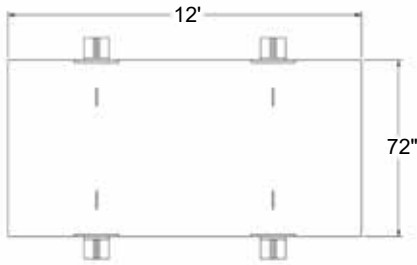


Test Weights

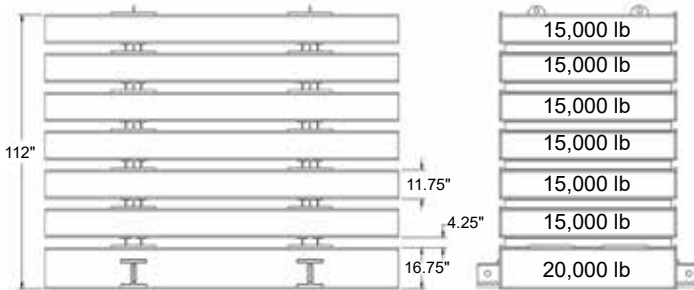
Slab Test Weights

GENERAL SPECIFICATIONS

- Type: Stackable slab test weights for crane and other large capacity testing
- Weights Available:
 - (1) 20K lb base weight with shackles
 - (7) 15K lb stackable slabs
 - (1) 10K lb stackable slab
 - (2) 5K lb stackable slab
 145K lb available
- Lifting: 4-way lifting chains supplied by others
- Certification: Weight substitution, traceable to state certified test weights
- Freight: 45K lb per trailer
- Rental Cost: Call for current quote



Example Stack:
110,000 lb



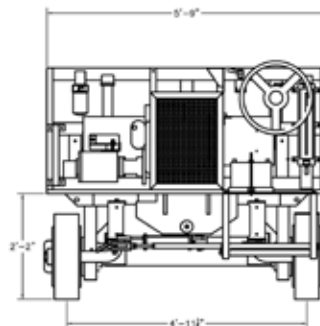
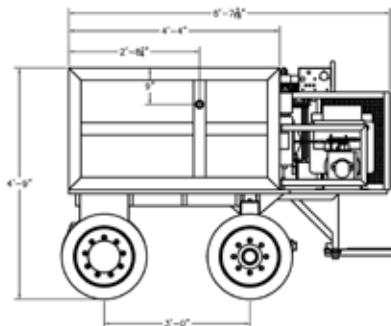
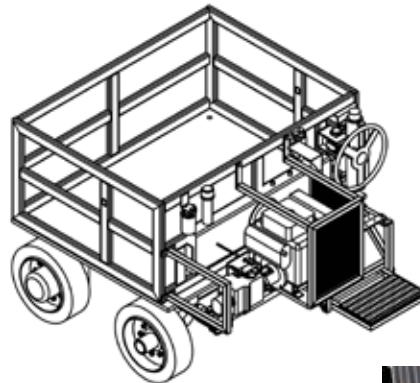
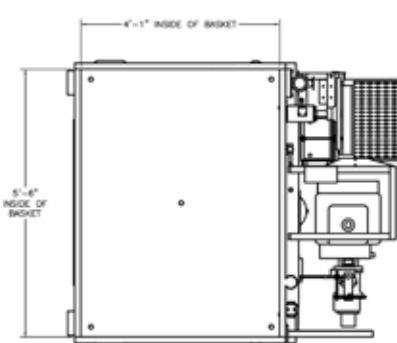
Test Equip.



4-Wheel Test Cart

GENERAL SPECIFICATIONS

- Certification:** Meets NIST specifications and tolerances for new field standard test carts per Handbook 105-8
- Cart Weight:** Standard calibrated cart weight (empty): 4K lb
Optional weight (empty): 3K, 3.5K, 4.5K, 5K, 5.5K, 6K lb.
- Basket Cap:** Capable of holding up to (24) twenty-four 1000 lb. test weights
- Dimensions:** Standard basket inside dimensions: 63" W x 47.5" L x 30" H
4-wheel cart wheel center dimensions: 36" L x 59-1/4" W
- Engine:** Gasoline-powered, 688 cc, air-cooled, electric start
- Design:** Hydrostatic forward and reverse
Center mounted engine for better lifting balance
Hydraulic torque hub drive and hydraulic power steering
Auto brakes when not under power
Pressurized oil filtering system
NIST required calibrated fuel tank
NIST required sealed 12 volt battery assembly
Sealable shot ballast tank and sealable hydraulic fluid tank
21" D x 6" W smooth tires
Hour meter on engine
Folding operator stair assembly
- Options:** Custom lettering and/or graphics for your company
Spreader / Lifting bar for test weights and/or test cart
Lifting basket design for overhead crane weighing
Correction weights / Test weights
RF (radio frequency) remote controls
Custom basket dimensions



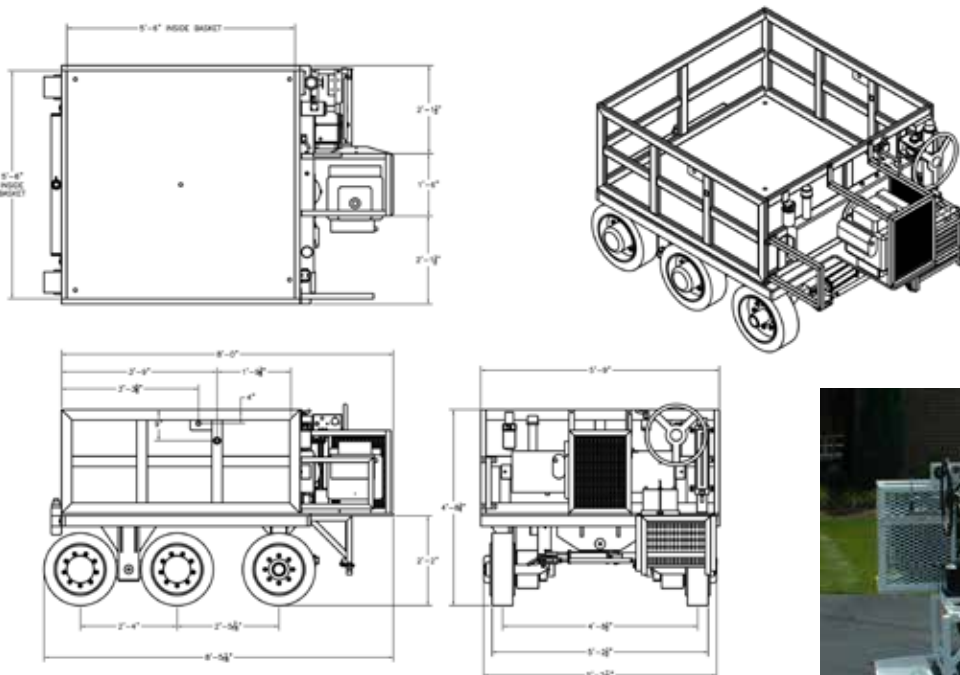
Test Equip.

6-Wheel Test Cart

GENERAL SPECIFICATIONS

- Certification: Meets NIST specifications and tolerances for new field standard test carts per Handbook 105-8
- Cart Weight: Standard calibrated cart weight (empty): 5K lb
Optional weight (empty): 5.5K, 6K lb
- Basket Cap: Capable of holding up to (32) thirty-two 1K lb test weights
- Dimensions: Standard basket inside dimensions: 66" W x 66" L x 30" H
6-wheel cart wheel center dimensions: 57-1/2" L x 56-1/2" W
- Engine: Gasoline-powered, 688 cc, air-cooled, electric start
- Design: Center mounted engine for better lifting balance
Hydraulic torque hub drive and hydraulic power steering
Auto brakes when not under power
Pressurized oil filtering system
NIST required calibrated fuel tank
NIST required sealed 12 volt battery assembly
Sealable shot ballast tank and sealable hydraulic fluid tank
21" D x 6" W smooth tires
Hour meter on engine
Folding operator stair assembly
- Options: Custom lettering and/or graphics for your company
Spreader / Lifting bar for test weights and/or test cart
Lifting basket design for overhead crane weighing
Correction weights / Test weights
RF (radio frequency) remote controls
Custom basket dimensions

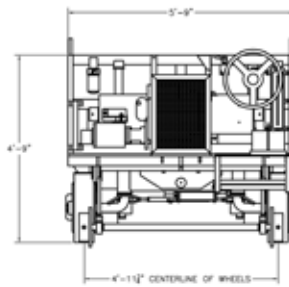
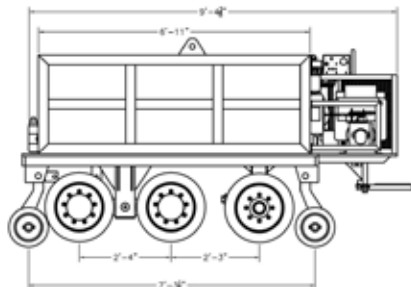
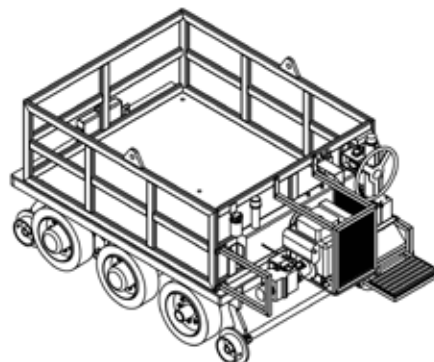
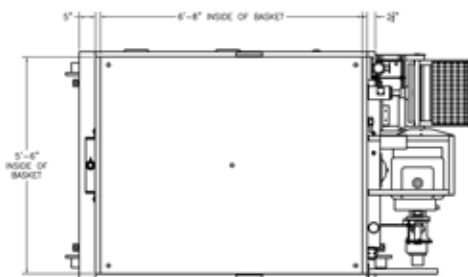
Test Equip.



Combo Rail / Truck Test Cart

GENERAL SPECIFICATIONS

-
- Certification: Meets NIST specifications and tolerances for new field standard test carts per Handbook 105-8
- Cart Weight: Standard calibrated cart weight (empty): 6K lb
- Basket Cap: Capable of holding up to (32) thirty-two 1K lb test weights
- Dimensions: Standard basket inside dimensions: 66" W x 80" L x 30" H
6-wheel cart wheel center dimensions: 55" L x 59-1/4" W
- Engine: Gasoline-powered, 688 cc, air-cooled, electric start
- Design: Hydrostatic forward and reverse
Four powered drive wheels
Rail gear is hydraulically lowered and raised
Center mounted engine for better lifting balance
Hydraulic torque hub drives and hydraulic power steering
Auto brakes when not under power
Pressurized oil filtering system
NIST required calibrated fuel tank
NIST required sealed 12 volt battery assembly
Sealable shot ballast tank and sealable hydraulic fluid tank
21" D x 6" W smooth tires
Hour meter on engine
Folding operator stair assembly
- Options: Custom lettering and/or graphics for your company
Spreader / Lifting bar for test weights and/or test cart
Lifting basket design for overhead crane weighing
Correction weights / Test weights
RF (radio frequency) remote controls
Custom basket dimensions



Test Equip.

Open Bed Test Truck



GENERAL SPECIFICATIONS

- **Description:** Standard lengths of 17' to 24' and accommodates 16 to 24 1K standard block weights and a 3K lb to 6K LB test cart (weights and cart sold separately)
- **Chassis:** Can be supplied with a new truck chassis (various models available) by B-TEK, or customer can supply a new or used chassis for use (call for additional information)
- **Design:**
 - Fixed boom design with hydraulic winch and lifting bar
 - Test weight containment frame for securing test weights
 - Hold-down assemblies for test cart
 - Rear driver side controls location
 - Underbody weight rack assembly for 50 LB. test weights
 - Underbody aluminum tool boxes
 - DOT required lighting
 - LED light bars located on boom
 - Custom lettering for company identification
- **Options:**
 - Custom lengths on bed and/or boom
 - Weight rack configurations to hold additional or less weights
 - Steerable lift axle
 - Utility pockets for holding oxy / acetylene tanks and tools
 - Varying sizes and style of tool boxes
 - Custom colors
 - Test weights
 - Knuckle boom crane in place of fixed boom crane assembly
 - Pass-thru storage box



Test Equip.

Enclosed Box Test Truck

GENERAL SPECIFICATIONS

- Description: Standard 18' length accommodates twenty (20) 1K standard block weights and a 3K lb to 5K lb test cart (weights and cart sold separately)
- Chassis: Can be supplied with a new truck chassis (various models available) by B-TEK, or customer can supply a new or used chassis for use (call for additional information)
- Design:
 - Hydrostatic forward and reverse
 - Telescoping boom design with hydraulic winch and lifting bar
 - Aluminum or FRP panel box construction
 - Double rear swing doors and curb side man door
 - Diamond safety plate flooring
 - Translucent or aluminum roof assembly
 - Test weight containment frame for securing test weights
 - Hold-down assemblies for test cart
 - RF remote control operation controls for boom, trolley and winch assemblies
 - Back-up manual controls for boom, trolley and winch assemblies
 - Underbody weight rack assembly for 50 LB. test weights
 - Underbody aluminum tool boxes (typically supplied with two)
 - DOT required lighting
 - Spotlights located on boom and inside box
- Options:
 - Custom lengths on box and/or boom
 - Weight rack configurations to hold additional or less weights
 - Steerable lift axle
 - Driver side man door
 - Varying sizes and style of tool boxes
 - Custom colors
 - Test weights



Test Equip.



Load Cell and Hardware Pricing 2023

B-TEK Scales, LLC

1510 Metric Ave. S.W., Canton, Ohio 44706 • 800.266.8900 • 330.471.8900

Fax: 330.471.8909 • sales@b-tek.com • B-TEK.com

B-TEK Scales, LLC Warranties and Policies

Manufacturer Warranty and Policy Information

B-TEK Scales, LLC attempts to publish the most up to date and accurate information in its catalogs. Suppliers will occasionally update pricing and/or specific information after B-TEK's publications are printed. Please note that this is out of B-TEK's control, we suggest contacting our sales/technical support to confirm any concerns you might have.

Any product names, logos, brands, and other trademarks featured or referred to within this catalog is the property of their respective trademark holders.

- **Business Hours:** Monday - Friday 8:00 AM to 5:00 PM EST
- **Shipping Terms:** All UPS and LTL shipments will be sent "pre-paid and add" unless otherwise directed
- **LTL Carrier:** B-TEK will use the LTL carrier providing the best value to the requested destination
- **UPS Shipments:** Cut-off time for same-day parts shipment - 4:00 PM EST
- **Freight Options Include:**
 - Same Day Service – United States*
 - Next Day Early AM
 - Next Day by End of Day
 - 2nd Day
 - 3rd Day
 - Surface

International Shipping Available – Many options available depending on destination- Please Call

*Availability depends on closest major airports and flight availability

Certain restrictions apply and pricing options vary depending on types of loads and/or packages shipped – Please call about your specific shipment.

B-TEK Returned Goods & Warranty Evaluation Process:

- Contact B-TEK and request a Return Authorization (RA) or Warranty Evaluation (WE) form prior to returning the item. The form will be generated by B-TEK with a "Claim Number" and faxed or emailed as required.
- A product serial number, B-TEK order number, B-TEK invoice number or original purchase order number is required to start the Return or Warranty process.
- Warranty claims MUST be supplied with information specific to the error, damage or defect of the product.
- A copy of the RA / WE form or Claim Number must be included along with the returned item.
- B-TEK Scales is not responsible for shipping damage to items being returned. Please pack items carefully.
- Freight cost associated with Returns or Warranty will be paid by the party returning the item.

Return To Stock - B-TEK Manufactured Products:

- Returned items are subject to a restocking fee equal to \$30.00 or 20% of dealer net price, whichever is greater.
- Items must be returned within 30 days of receipt.
- Items must be received in unused "Like New" condition and returned with original packaging.
- Items returned after 30 days or not received in "Like New" condition will be subject to a reconditioning / repacking fee.

Return To Stock - B-TEK Resale or Special Order Products:

- Returned items are subject to a restocking fee equal to \$30.00 or 20% of dealer net price, whichever is greater.
- Items must be returned within 30 days of receipt.
- Items must be received in unused "Like New" condition and returned with original packaging.
- Items returned after 30 days or not received in "Like New" condition will be subject to a reconditioning / repacking fee.
- Special order items will be subject to restocking fees determined on a case-by-case basis.

B-TEK Scales, LLC Warranties and Policies

Manufacturer Warranty and Policy Information

Warranty Evaluation (WE) - B-TEK Manufactured Products:

- Item must be returned within 30 days of issuance of WE claim number.
- Replacement parts can be requested at time of WE claim. Replacement part and freight costs are subject to invoicing if WE claim is denied.
- New, refurbished, or repaired parts may be sent out as replacements at B-TEK discretion.
- If replacement parts are not requested at time of WE claim, item will be repaired / replaced and returned.
- B-TEK will cover the outgoing freight cost of warranted parts via UPS GROUND only. Freight cost associated with expedited shipment of warranted parts will be cover by others.
- If entire indicators / assemblies are returned for warranty exchange, please see Return to Stock policy. Customer may be invoiced for item if not returned in "Like New" condition.
- If item is eligible for labor / travel expense reimbursement, the appropriate section of the WE claim form must be completed and returned with item.
- When claim is closed, customer will receive a completed "Return Evaluation Form" with descriptions of findings.
- Customer is responsible for reviewing this form and reporting any discrepancies within 10 days of claim completion.

Warranty Evaluation (WE) - B-TEK Resale or Special Order Products:

- Item must be returned within 30 days of issuance of claim.
- Replacement parts can be requested at time of WE claim. Replacement part and freight costs are subject to invoicing if WE claim is denied.
- New, refurbished or repaired parts may be sent out as replacements at B-TEK discretion.
- If replacement parts are not requested at the time of claim, B-TEK will return item to the manufacturer for repair. The item will then be returned to customer.
- If entire indicators / assemblies are returned for warranty exchange, please see Return to Stock policy. Customer may be invoiced for item if not returned in "Like New" condition.
- **B-TEK resale or special order products will follow the published warranty period and policy of manufacturer.**
- **B-TEK resale or special order products are never eligible for labor / travel expense reimbursement.**

Zemic Liberal Warranties:

- Aluminum cells 12 month conditional warranty
- Alloy cells 18 month conditional warranty
- Stainless Steel cells 24 month conditional warranty
- Manufactures over 100 million load cells and sensors worldwide annually.
- Utilizes only high grade metals.
- No recycled metals utilized for USA or European Supply.
- VCAP certified
- All Zemic Load Cells represented in this catalog are NTEP approved
- Most Zemic Load Cells are approved by FM and ATEX, and more than 30 are NTEP/OIML approved as of 2016.

Table of Contents

B-TEK Scales, LLC Load Cell and Hardware Catalog

Compression Load Cells	06
Revere.....	07
Coti.....	08
S-Type Load Cells	12
Zemic.....	13
Sensortronics.....	14
Revere.....	16
Single Point Load Cells	18
B-TEK Scales, LLC.....	19
Zemic.....	20
Tedeo-Huntleigh.....	22
Flintec.....	28
WorldWEIGH C Series Replacement Load Cells.....	30
Single Ended Shear Beams	32
Zemic.....	33
Sensortronics.....	35
Revere.....	40
Celtron.....	42
Coti.....	44
Double Ended Shear Beams	46
Zemic.....	47
Sensortronics.....	51
Revere.....	57
Coti.....	61
Load Cell Tank Mounts	68
B-TEK Scales, LLC.....	69
Hardware and Accessories	80
Bench Scale Foot Assemblies.....	81
Floor Scale Foot Assemblies.....	81
WorldWEIGH Foot Assemblies.....	82
WorldWEIGH C Series / 4x4 Floor Scale Replacement Load Cells.....	83
4 Conductor Interface Cable.....	84
Standard 7 - Wire Load Cell Cable.....	84
6 Conductor Analog Interconnect Cable.....	84
Tinned Copper 7 - Wire Load Cell Cable.....	84
#6 Copper Ground Cable.....	84
Surge Voltage Protection Devices.....	85
Wire Security Seals.....	85
Floor Scale Junction Boxes and Summing Boards.....	85
Motor Truck Scale Junction Boxes.....	86
Load Cell Spacers / Shims.....	92
Eye Nut Drop Forged Carbon Self Colored.....	92
Coupling Nut Grade 2 Zinc Plated.....	92
Rod End Ball Joints Static Radial Load.....	93
Stainless Steel Threaded Adapter with Jam Nuts.....	93
Isolated S-Type Tension Alignment / Swivel Isolator.....	94
Connecting Link.....	95
Black Jacket Load Cell Isolator.....	96
Eyebolt Zinc Plated with Jam Nut.....	96
Load Receiver Plate Assembly.....	98
Chrome Steel Ball Bearing.....	98
Stainless Steel Load Cup.....	98
Stainless Steel Load Button.....	98
Clevis Mount Block Complete with Pin / Jam Nut.....	99
Spherical Washer.....	100
Printer Ribbons.....	100
Connectors.....	101

B-TEK Scales, LLC inventory is not limited to this catalog. Please call 800.266.8900 and we can help.

Compression Load Cells

B-TEK Scales, LLC Load Cell and Hardware Catalog

B-TEK Scales, LLC inventory is not limited to this catalog. Please call 800.266.8900 and we can help.

07 | Revere **08** | Coti

Notes:



Revere CSP Compression Load Cell

Canister, Stainless Steel Welded Load Cell

Specifications

Full Scale Output: 2mV/V

Input Resistance: 450 ohms

Output Resistance: 480 ohms

Material/Finish: Stainless Steel

Temperature:

Compensated 14°F to 104°F / -10°C to 40°C

Operating -65°F to 200°F / -54°C to 93°C

Safe Overload: 150% Full scale

Rated Excitation: 10V DC (15V max)

Combined Error: 0.02% Full scale

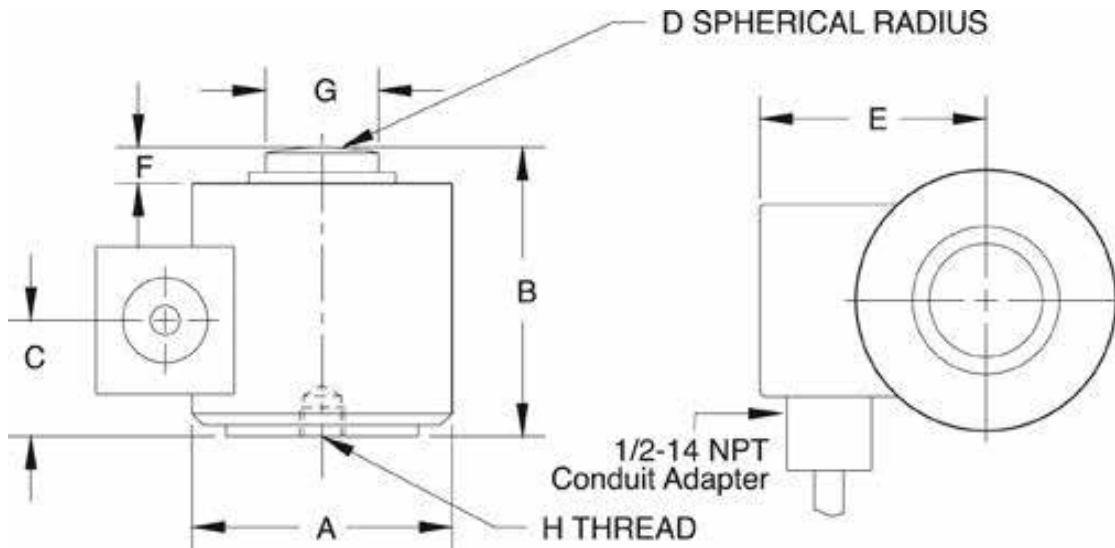
Insulation Resistance: >5000 megohms

Seal Type: Welded sealed - IP68

Cable Length: 30 ft



Outline Dimension in inches



Capacity	A	B	C	D	E	F	G	H	DEPTH OF H
10,000-50,000	2.88	3.25	1.28	6.00	2.51	.40	1.25	1/2-20 UNF-2B	.38
100,000	4.12	5.00	2.15	6.00	3.39	.51	2.31	3/4-16 UNF-2B	.56
200,000-300,000	6.00	7.25	3.63	17.00	4.26	1.04	3.13	3/4-16 UNF-2B	.75

Interchangeable Products | Rice Lake RLCSP1, Artech 90310, Howe 24469-000x, Revere 692B, Streeter Amet 3760xxx
Load cell diameter may not be identical

Order Information

B-TEK Part No.	Capacity	VPG Part No.
811-500015	25K	00CSP-025E-A1-01X
811-500016	50K	00CSP-050E-A1-01X
811-500038	50K	00CSP-050E-A1-02X (60' Cable)
811-500018	100K	00CSP-100E-A1-01X
811-100008	200K	00CSP-200E-A1-01X



Coti CG-26S Compression Load Cell

Canister, Stainless Steel Load Cell

Specifications

Rated Output: 2.00 mV/V

Safe Overload: 150% Full Scale

Excitation Voltage: 10-20 V AC/DC

Input Resistance: 1140 ± 10 ohms

Output Resistance: 1050 ± 5 ohms

Seal Type: Hermetically sealed - IP67

Non-linearity: ± 0.03% Full scale

Hysteresis: ± 0.02% Full scale

Repeatability: ± 0.01% Full scale

Creep: ± 0.02% Full scale

Temperature:

Compensated 32°F to 86°F / 0°C to 30°C

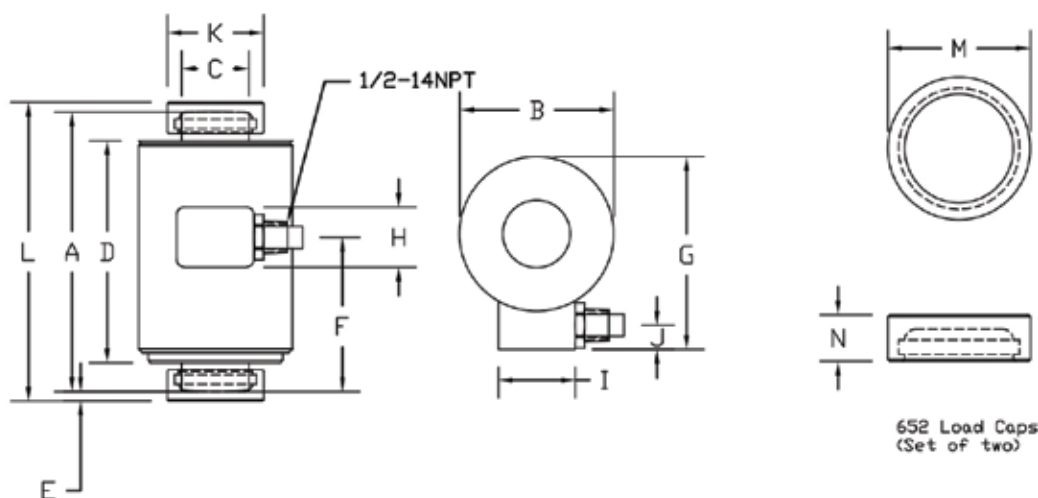
Operating -4°F to 140°F / -20°C to 60°C

Insulation Resistance: >5000 megohms

Cable Length: 4 conductor braided, 50 ft



Outline Dimension in inches



Load Cell Wiring:
 Green: +EXC
 Black: -EXC
 White: +SIG
 Red: -SIG
 Braided/Yellow: Shield

652 Load Caps
(Set of two)

RATED CAPACITY	DIMENSIONS													
	A	B	C	D	E	F	G	H	I	J	K	L	M	N
50K-120K Load Cell	7.25	4.00	1.75	5.75	0.75	4.00	5.00	1.55	2.00	0.62	2.50	7.75	-	-
652 Load Caps	-	-	-	-	-	-	-	-	-	-	-	-	2.5	0.82

Interchangeable Products | Cardinal SCA, Cardinal HDD, Totalcomp TCSCA, Rice Lake RLSCA

Order Information

B-TEK Part No.	Coti Part No.
811-500027	CG-26S-100k SST Comp Canister (caps incl)
811-500031	CG-26S Cap for Load Button



Coti CG-26S1 Compression Load Cell

Canister, Stainless Steel Load Cell

Specifications

Rated Output: 1.8 mV/V

Safe Overload: 150% Full scale

Excitation Voltage: 10-20 V AC/DC

Input Resistance: 1080 ± 10 ohms

Output Resistance: 1000 ± 5 ohms

Seal Type: Hermetically sealed - IP67

Non-linearity: ± 0.03% Full scale

Hysteresis: ± 0.02% Full scale

Repeatability: ± 0.01% Full scale

Creep: ± 0.02% Full scale

Temperature:

Compensated 32°F to 86°F / 0°C to 30°C

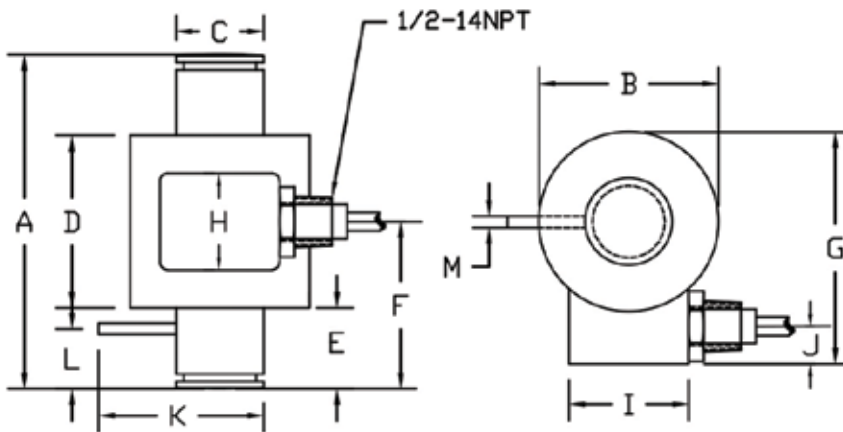
Operating -4°F to 140°F / -20°C to 60°C

Insulation Resistance: >5000 megohms

Cable Length: 4 conductor braided, 50 ft



Outline Dimension in inches



Load Cell Wiring:
Green: +EXC
Black: -EXC
White: +SIG
Red: -SIG
Braided/Yellow: Shield

RATED CAPACITY	DIMENSIONS												
	A	B	C	D	E	F	G	H	I	J	K	L	M
50KSE	6.00	3.00	1.46	2.88	1.56	3.00	3.88	1.62	2.00	0.50	2.88	1.00	0.38
50KLE	7.56	3.00	1.46	2.88	2.34	3.78	3.88	1.62	2.00	0.50	2.88	1.00	0.38

Interchangeable Products | Fairbanks 64166, Fairbanks LCF-HR4020-2 50K LE, Rice Lake RL75114 50K LE

Order Information

B-TEK Part No.	Coti Part No.
811-500028	CG-26S1-50k SE SST Rocker Column
811-500029	CG-26S1-50k LE SST Rocker Column
811-500040	26S Anti Rotation Pin

Coti CG-26S2 Compression Load Cell

Canister, Stainless Steel Load Cell



Specifications

Rated Output: 2.00 mV/V

Safe Overload: 150% Full scale

Excitation Voltage: 10-20 V AC/DC

Input Resistance: 380 ± 10 ohms

Output Resistance: 350 ± 5 ohms

Seal Type: Hermetically sealed - IP67

Non-linearity: ± 0.03% Full scale

Hysteresis: ± 0.02% Full scale

Repeatability: ± 0.01% Full scale

Creep: ± 0.02% Full scale

Temperature:

Compensated 32°F to 86°F / 0°C to 30°C

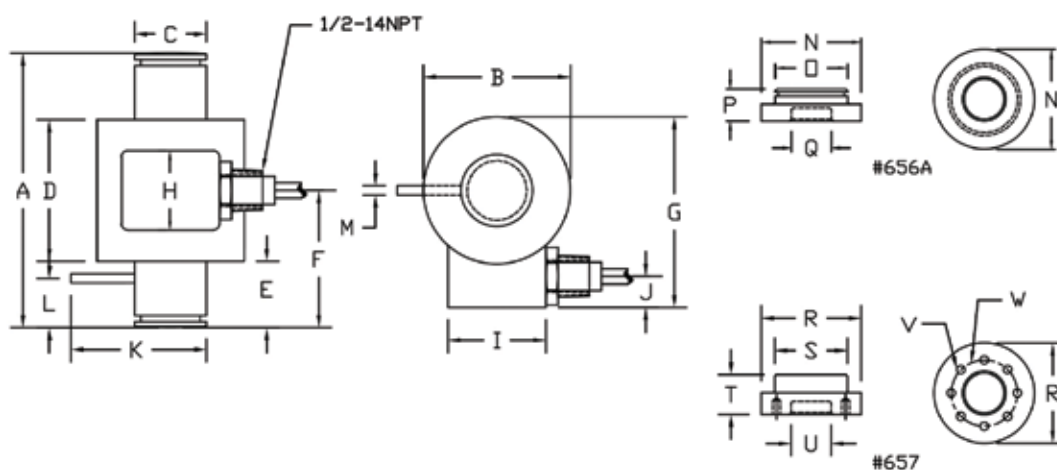
Operating -4°F to 140°F / -20°C to 60°C

Insulation Resistance: >5000 megohms

Cable Length: 4 conductor braided, 50 ft



Outline Dimension in inches



Load Cell Wiring:

Green: +EXC

Black: -EXC

White: +SIG

Red: -SIG

Braided/Yellow: Shield

RATED CAPACITY	DIMENSIONS																							
	A	B	C	D	E	F	G	H	I	J	K	L	M	N	O	P	Q	R	S	T	U	V	W	
56K	7.56	3.00	1.46	2.88	2.34	3.78	3.98	1.62	2.00	0.50	2.98	1.00	0.38	-	-	-	-	-	-	-	-	-	-	-
656A	-	-	-	-	-	-	-	-	-	-	-	-	-	3.75	2.465	1.25	1.5	-	-	-	-	-	-	-
657	-	-	-	-	-	-	-	-	-	-	-	-	-	-	-	-	-	4.13	2.465	1.69	1.5	M10x1	2.25	

Interchangeable Products | Fairbanks LCF-HR-4020-19, Flintec RC1

Order Information

B-TEK Part No.	Coti Part No.
811-500030	CG-26S2-56k SST Rocker Column
811-500032	CG-26S2 Upper Load Cup
811-500033	CG-26S2 Lower Load Receiver
811-500040	26S Anti Rotation Pin

S-Type Load Cells

B-TEK Scales, LLC Load Cell and Hardware Catalog

B-TEK Scales, LLC inventory is not limited to this catalog. Please call 800.266.8900 and we can help.

13 | Zemic **14** | Sensortronics **16** | Revere

Notes:

ZEMIC H3G S-Type Load Cell

S-Type, Alloy Steel Load Cell



S-Type Load Cell

Specifications

Max No. of Verification Intervals:

5000/10000 Nmax

Min Load Cell Verification Intervals:

Class III/IIIL Vmin

Output Sensitivity: 3.0 ± 0.008 mV/V

Input Resistance: 430 ± 60 ohms

Output Resistance: 351 ± 2.0 ohms

Insulation Resistance: ≥5000 (50VDC)

Temperature:

Compensated 14°F to 104°F / -10°C to 40°C

Operating -31°F to 158°F / -35°C to 70°C

Excitation, Recommended: 5~12V (DC)

Excitation, Max: 18V (DC)

Safe Overload: 150% Full Scale

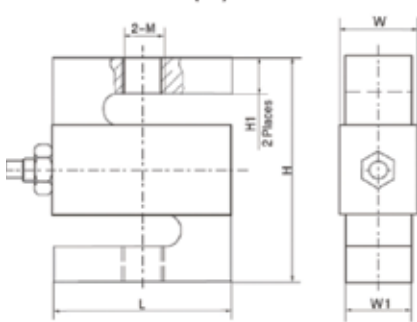
Ultimate Overload: 300% Full Scale

Seal Type: Environmentally Sealed - IP67

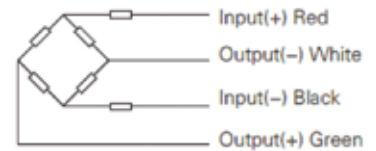
Cable Length: 20 ft



Outline Dimension mm (inch)



Dimension Capacity	L	H	HI	W1	W	M
50-300lb	50.8 (2.0)	63.5 (2.5)	10.16 (0.4)	12.7 (0.5)	16.5 (0.66)	1/4-28UNF
500lb-1.5Klb	50.8 (2.0)	63.5 (2.5)	10.16 (0.4)	19.05 (0.75)	22.8 (0.90)	1/2-20UNF
2.2.5Klb	50.8 (2.0)	63.5 (2.5)	10.16 (0.4)	25.4 (1.0)	29.2 (1.14)	1/2-20UNF
3Klb	76.2 (3.0)	101.6 (4.0)	15.2 (0.6)	25.4 (1.0)	29.2 (1.14)	1/2-20UNF
5.10Klb	76.2 (3.0)	101.6 (4.0)	20 (0.79)	25.4 (1.0)	29.2 (1.14)	3/4-16UNF
15Klb	101.6 (4.0)	139.7 (5.5)	30 (1.18)	31.75 (1.25)	35.5 (1.40)	1-14 UNS
20Klb	127 (5.0)	177.8 (7.0)	39.9 (1.57)	50.8 (2.0)	54.2 (2.13)	1 1/4-12UNF



- Shielded, 4 conductor cable
- Cable diameter: Ø0.22in
- Shield not connected to element

Interchangeable Products

Revere M363, Celtron STC, Artech 20210, Rice Lake RL20000/20001, Totalcomp TS-SS, Transcell BSA/BSS, Vishay STC

Order Information

B-TEK Part No.	Capacity	Zemic Part No.
815-100078	50	H3G-N3-50-6YB
815-100079	75	H3G-N3-75-6YB
815-100080	100	H3G-N10-100-6YB
815-100081	150	H3G-N10-150-6YB
815-100082	200	H3G-N10-200-6YB
815-100083	250	H3G-N10-250-6YB
815-100084	300	H3G-N10-300-6YB
815-100085	500	H3G-N10-500-6YB
815-100086	750	H3G-N10-750-6YB
815-100087	1K	H3G-N10-1K-6YB
815-100088	1.5K	H3G-N10-1.5K-6YB
815-100089	2K	H3G-N10-2K-6YB
815-100090	2.5K	H3G-N10-2.5K-6YB
815-100091	3K	H3G-N10-3K-6YB
815-100092	5K	H3G-N10-5K-6YB
815-100093	10K	H3G-N10-10K-6YB
815-100094	15K	H3G-N3-15K-6YB
815-100095	20K	H3G-N3-20K-6YB

Sensortronics 60001A S-Type Load Cell

S-Type, Alloy Steel Load Cell



Specifications

Full Scale Output: 3.0 mV/V

Input Resistance: 343 - 450 ohms

Output Resistance: 349 - 355 ohms

Material/Finish: Alloy steel

Temperature:

Compensated 14°F to 104°F / -10°C to 40°C

Operating 0°F to 150°F / -18°C to 65°C

Safe Overload: 150% Full scale

Rated Excitation: 10V DC (15V max)

Nonlinearity: 0.03% Full scale

Hysteresis: 0.02% Full scale

Insulation Resistance: ≥5000 megohms

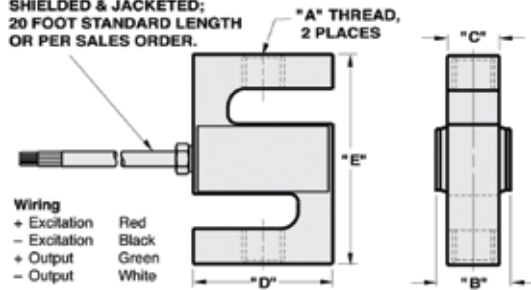
Seal Type: Environmentally sealed - IP67

Cable Length: 20 ft



Outline Dimension in inches

4 CONDUCTOR, 22 AWG CABLE;
SHIELDED & JACKETED;
20 FOOT STANDARD LENGTH
OR PER SALES ORDER.



CAPACITY	A	B	C	D	E	DEFLECTION	WEIGHT
25-200	1/4-28 UNF-2B	0.65	0.50	2.00	2.50	0.015-0.010	4.0
250-300	3/8-24 UNF-2B	0.75	0.50	2.00	3.00	0.010	4.0
500-2k	1/2-20 UNF-2B	1.00	0.75	2.00	3.00	0.010-0.012	6.5
2.5k-4k	1/2-20 UNF-2B	1.25	1.00	2.00	3.00	0.012	6.5
5k	3/4-16 UNF-2B	1.25	1.00	3.00	4.25	0.017	6.5
10k	3/4-16 UNF-2B	1.25	1.00	3.50	4.75	0.025	6.5
15k	1-14 UNF-2B	1.50	1.25	4.00	5.50	0.025	9.0
20k	1-1/4-12 UNF-2-B	2.25	2.00	5.00	7.00	0.025	9.0

Order Information

B-TEK Part No.	Capacity	Sensortronics Part No.
815-100020	25	60001-025L-A1-00F-1000
815-100026	50	60001-050L-A1-01F-1000
815-100015	100	60001-100L-A1-02F-1000
815-100019	200	60001-200L-A1-01F-1000
815-100022	250	60001-250L-A1-00F-1000
815-100024	300	60001-300L-A1-00F-1000
815-100027	500	60001-500L-A1-04F-1000
815-100029	750	60001-750L-A1-02F-1000
815-100017	1K	60001-001E-A1-00F-1000
815-100014	1.5K	60001-01E5-A1-00F-1000
815-100023	2K	60001-002E-A1-00F-1000
815-100018	2.5K	60001-02E5-A1-00F-1000
815-100025	3K	60001-003E-A1-00F-1000
815-100054	5K	60001-005E-A1-00F-1000 (20' cable)
815-100028	5K	60001-005E-A1-01F-1000 (50' cable)
815-100055	10K	60001-010E-A1-00F-1000
815-100016	15K	60001-015E-A1-00F-1000
815-100030	20K	60001-020E-A1-00F-1000

Sensortronics 60050 S-Type Load Cell



S-Type, Stainless Steel Load Cell

Specifications

Full Scale Output: 3.0 mV/V

Bridge Resistance: 350 ohms

Material/Finish: Stainless steel

Temperature:

Compensated 14°F to 104°F / -10°C to 40°C

Operating 0°F to 150°F / -18°C to 65°C

Safe Overload: 150% Full scale

Rated Excitation: 10V DC (15V max)

Combined Error: 0.03% Full scale

Insulation Resistance: ≥5000 megohms

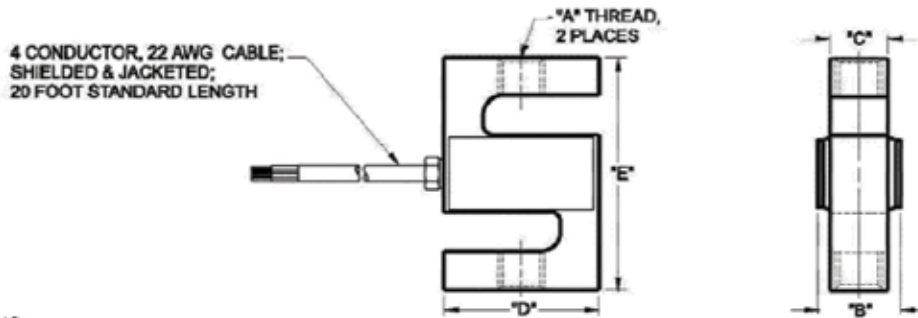
Seal Type: Environmentally sealed - IP67

Cable Length: 20 ft



S-Type Load Cell

Outline Dimension in inches



WIRING

FUNCTION	COLOR
+ Excitation	Red
- Excitation	Black
+ Output	Green
- Output	White

CAPACITY	A	B	C	D	E
250	3/8" - 24	0.75	0.50	2.00	3.00
500 - 1500	1/2" - 20	1.00	0.75	2.00	3.00
2000 - 3000	1/2" - 20	1.25	1.00	2.00	3.00
5000	3/4" - 16	1.25	1.00	3.00	4.25
10,000	3/4" - 16	1.25	1.00	3.50	4.75
15,000	1" - 14	1.50	1.25	4.00	5.50
20,000	1 1/4" - 12	2.00	1.94	5.00	7.00

Interchangeable Products | Celtron STC-SS

Order Information

B-TEK Part No.	Capacity	Sensortronics Part No.
815-100003	250	60050-250L-NC-00F
815-100063	500	60050-500L-NC-00F
815-100004	750	60050-750L-NC-00F
815-100065	1K	60050-001E-NC-00F
815-100074	1.5K	60050-01E5-NC-00F
815-100067	2K	60050-002E-NC-00F
815-100006	2.5	60050-02E5-NC-00F
815-100007	3K	60050-003E-NC-00F
815-100071	5K	60050-005E-NC-00F
815-100073	10K	60050-010E-NC-00F
815-100031	15K	60050-015E-NC-00F
815-100002	20K	60050-020E-NC-00F



Revere 363 S-Type Load Cell

S-Type, Nickle Plated Steel Load Cell

Specifications

Full Scale Output: 3.0 mV/V

Input Resistance: 430 ohms

Output Resistance: 390 ohms

Material/Finish: Nickle Plated Alloy steel

Temperature:

Compensated 14°F to 104°F / -10°C to 40°C

Operating -40°F to 150°F / -18°C to 65°C

Safe Overload: 150% Full scale

Rated Excitation: 10V DC (15V max)

Combined Error: 0.02% Full scale

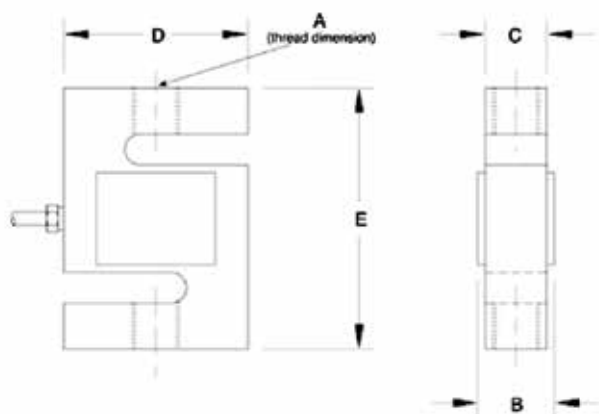
Insulation Resistance: ≥5000 megohms

Seal Type: Environmentally sealed - IP67

Cable Length: 20 ft



Outline Dimension in inches



Capacity	A	B	C	D	E
50-300	1/4-28 UNF-2B	.65	.50	2.00	2.50
500-1500	1/2-20 UNF-2B	.90	.75	2.00	2.50
2000	1/2-20 UNF-2B	1.15	1.00	2.00	2.50
3000	1/2-20 UNF-2B	1.15	1.00	3.00	4.00
5000-10,000	3/4-16 UNF-2B	1.15	1.00	3.00	4.00

Interchangeable Products | Zemic H3G

Order Information

B-TEK Part No.	Capacity	VPG Part No.
815-100096	100	00363-100L-B1-01F
815-100097	200	00363-200L-B1-01F
815-100009	300	00363-300L-B1-01F
815-100011	500	00363-500L-B1-01F
815-100013	750	00363-750L-B1-00F
815-100098	1K	00363-001E-B1-01F
815-100099	1.5K	00363-1E5-B1-00F
815-100008	2K	300363-002E-B1-01F
815-100010	3K	00363-003E-B1-00F
815-100012	5K	00363-005E-B1-00F
815-100005	10K	00363-010E-B1-00F
815-100101*	15K	00363-015E-D3-00F

*Non-NTEP

Revere 9363 S-Type Load Cell

S-Type, Stainless Steel Load Cell



Specifications

Full Scale Output: 3.0 mV/V

Input Resistance: 390 ohms

Output Resistance: 350 ohms

Material/Finish: Stainless steel

Temperature:

Compensated 14°F to 104°F / -10°C to 40°C

Operating -65°F to 200°F / -54°C to 94°C

Safe Overload: 150% Full scale

Rated Excitation: 10V DC (15V max)

Combined Error: 0.025% Full scale

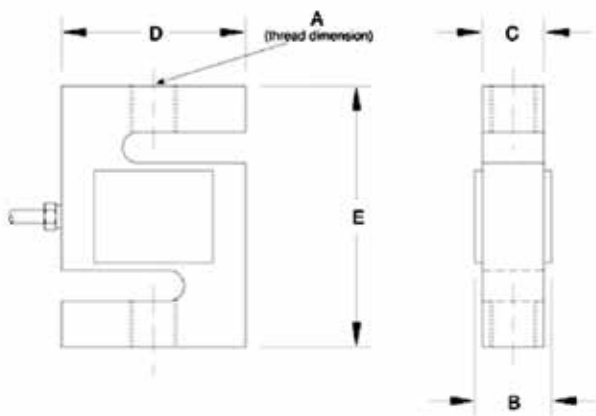
Insulation Resistance: ≥5000 megohms

Seal Type: Environmentally sealed - IP67

Cable Length: 20 ft



Outline Dimension in inches



Capacity	A	B	C	D	E
50-300	1/4-28 UNF-2B	.65	.46	2.00	2.40
500-1500	1/2-20 UNF-2B	.90	.71	2.00	2.40
2000-2500	1/2-20 UNF-2B	1.13	.96	2.00	2.40
3000	1/2-20 UNF-2B	1.13	.96	3.00	3.90
5000	3/4-16 UNF-2B	1.13	.96	3.00	3.90
10,000	3/4-16 UNF-2B	1.63	1.21	2.94	3.90
15,000	1-14 UNF-2B	1.63	1.46	3.44	5.50
20,000	1 1/4-12 UNF-2B	1.88	1.69	4.44	7.00

Order Information

B-TEK Part No.	Capacity	VPG Part No.
815-100033	100	09363-100L-B1-03F
815-100038	200	09363-200L-B1-02F
815-100041	300	09363-300L-B1-02F
815-100043	500	09363-500L-B1-04F
815-100045	750	09203-020E-D3-00X
815-100036	1K	09363-001E-B1-04F
815-100032	1.5K	09363-01E5-B1-02F
815-100040	2K	09363-002E-B1-02F
815-100042	3K	09363-003E-B1-03F
815-100044	5K	09363-003E-B1-03F
815-100034	10K	09363-010E-B1-03F
815-100046*	15K	09363-015E-D3-02F
815-100047*	20K	09363-020E-D3-02F

*Non-NTEP

Single Point Load Cells

B-TEK Scales, LLC Load Cell and Hardware Catalog

B-TEK Scales, LLC inventory is not limited to this catalog. Please call 800.266.8900 and we can help.

19	B-TEK Scales	20	Zemic	22	Tedea-Huntleigh
28	Flintec	30	WorldWEIGH C Series / 4x4		

Notes:



B-TEK BT-ASP-1 Single Point Load Cell

Single Point, Aluminum Load Cell

Specifications

Max No. of Verification Intervals:

5000/10000 Nmax

Min Load Cell Verification Intervals:

Class III Vmin

Output Sensitivity: 2.0 ± 0.02 mV/V

Input Resistance: 406 ± 6 ohms

Output Resistance: 350 ± 3 ohms

Insulation Resistance: ≥5000 (50VDC)

Temperature:

Compensated 14°F to 104°F / -10°C to 40°C

Operating -31°F to 149°F / -35°C to 65°C

Excitation, Recommended: 5~12V (DC)

Excitation, Max: 18V (DC)

Safe Overload: 150% Full scale

Ultimate Overload: 300% Full scale

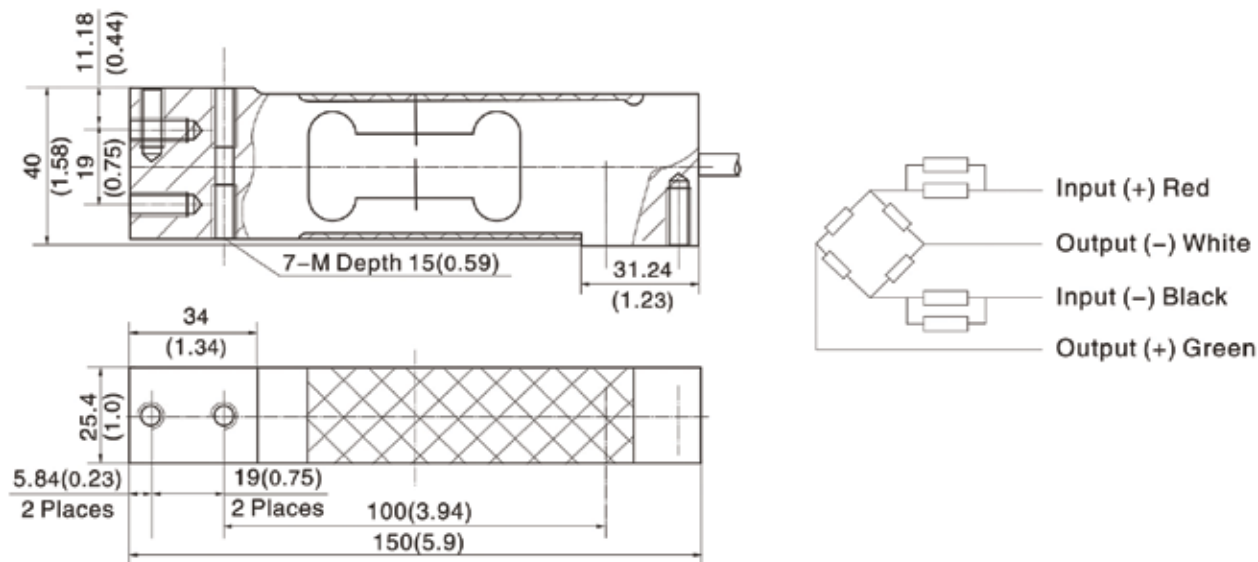
Seal Type: Environmentally sealed - IP65

Cable Length: 10 ft

Imperial: 1/4-20 Thread



Outline Dimension mm (inch)



Interchangeable Products

Revere 642, HBM SP4, Teda 1042, Rice Lake RL1042, Zemic L6N

Order Information

B-TEK Part No.	Capacity	B-TEK Model No.
888-000001	5kg	BT-ASP-1-5kg
888-000002	10kg	BT-ASP-1-10kg
888-000003	15kg	BT-ASP-1-15kg
888-000004	20kg	BT-ASP-1-20kg
888-000005	30kg	BT-ASP-1-30kg
888-000006	50kg	BT-ASP-1-50kg
888-000007	75kg	BT-ASP-1-75kg
888-000008	100kg	BT-ASP-1-100kg



ZEMIC L6D Single Point Load Cell

Single Point, Aluminum Load Cell

Specifications

Max No. of Verification Intervals:

5000 Nmax

Min Load Cell Verification Intervals:

Class III Vmin

Output Sensitivity: 2.0 ± 0.02 mV/V

Input Resistance: 406 ± 6 ohms

Output Resistance: 350 ± 3 ohms

Insulation Resistance: ≥ 5000 (50VDC)

Temperature:

Compensated 14°F to 104°F / -10°C to 40°C

Operating -31°F to 149°F / -35°C to 65°C

Excitation, Recommended: 5~12V (DC)

Excitation, Max: 18V (DC)

Safe Overload: 120% Full scale

Ultimate Overload: 300% Full scale

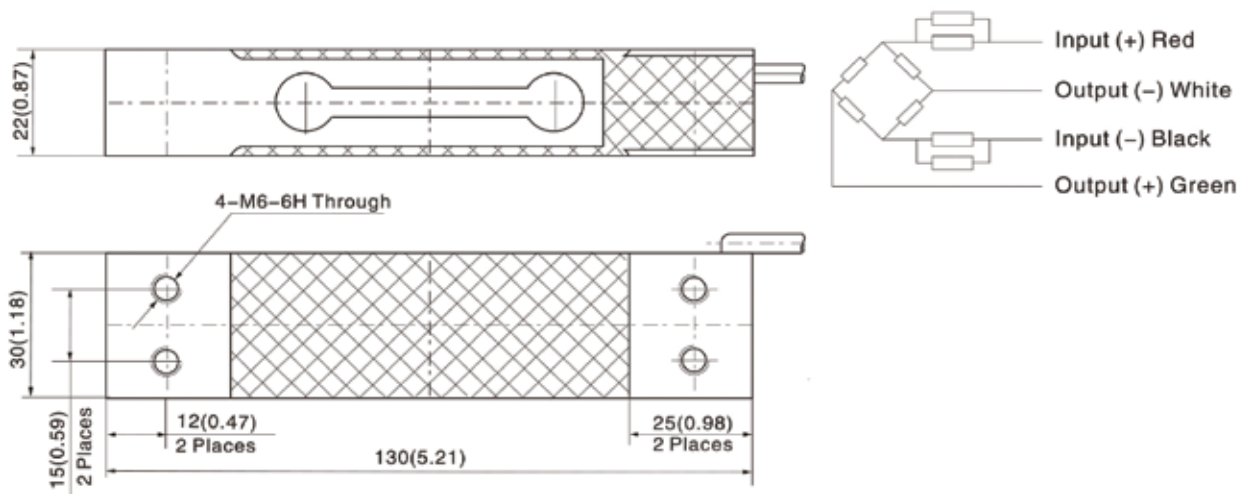
Seal Type: Environmentally sealed - IP65

Cable Length: 10 ft



Metric Envelope

Outline Dimension mm (inch)



Interchangeable Products | Rice Lake RL1521A, Celtron LPS, TedeA 1022

Order Information

B-TEK Part No.	Capacity	Zemic Part No.
814-100158	3kg	L6D-C3-3kg-0.4B
814-100157	5kg	L6D-C3-5kg-0.4B
814-100159	6kg	L6D-C3-6kg-0.4B
814-100160	8kg	L6D-C3-8kg-0.4B
814-100161	10kg	L6D-C3-10kg-0.4B
814-100162	15kg	L6D-C3-15kg-0.4B
814-100163	20kg	L6D-C3-20kg-0.4B
814-100164	30kg	L6D-C3-30kg-0.4B
814-100165	35kg	L6D-C3-35kg-0.4B
814-100166	40kg	L6D-C3-40kg-0.4B
814-100167	50kg	L6D-C3-50kg-0.4B



ZEMIC L6N Single Point Load Cell

Single Point, Aluminum Load Cell

Specifications

Max No. of Verification Intervals:

5000/10000 Nmax

Min Load Cell Verification Intervals:

Class III Vmin

Output Sensitivity: 2.0 ± 0.02 mV/V

Input Resistance: 406 ± 6 ohms

Output Resistance: 350 ± 3 ohms

Insulation Resistance: ≥ 5000 (50VDC)

Temperature:

Compensated 14°F to 104°F / -10°C to 40°C

Operating -31°F to 149°F / -35°C to 65°C

Excitation, Recommended: 5~12V (DC)

Excitation, Max: 18V (DC)

Safe Overload: 150% Full scale

Ultimate Overload: 300% Full scale

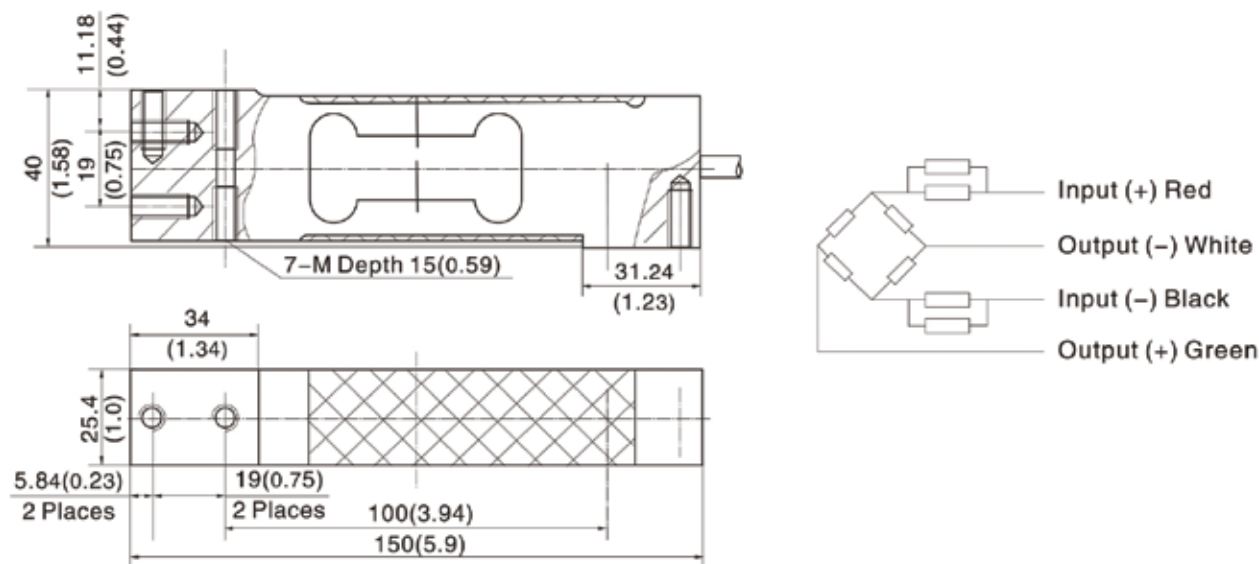
Seal Type: Environmentally sealed - IP65

Cable Length: 10 ft

Imperial: 1/4-20 Thread



Outline Dimension mm (inch)



Interchangeable Products | Revere 642, HBM SP4, Teda 1042, Celtron MT1041, Rice Lake RL1042, B-TEK BT-ASP-1

Order Information

B-TEK Part No.	Capacity	Zemic Part No.
814-100126	3kg	L6N-C3-3kg-3YB6
814-100127	5kg	L6N-C3-5kg-3YB6
814-100128	8kg	L6N-C3-8kg-3YB6
814-100129	10kg	L6N-C3-10kg-3YB6
814-100130	15kg	L6N-C3-15kg-3YB6
814-100131	20kg	L6N-C3-20kg-3YB6
814-100132	30kg	L6N-C3-30kg-3YB6
814-100133	50kg	L6N-C3-50kg-3YB6
814-100134	75kg	L6N-C3-75kg-3YB6
814-100135	100kg	L6N-C3-100kg-3YB6

Tedea-Huntleigh 1042 Single Point

Single Point, Aluminum Load Cell



Specifications

Full Scale Output: 2.0 mV/V

Input Resistance: 415 ± 15 ohms

Output Resistance: 355 ± 3 ohms

Material/Finish: Aluminum

Temperature:

Compensated 14°F to 104°F / -10°C to 40°C

Operating -4°F to 158°F / -20°C to 70°C

Safe Overload: 150% Full scale

Rated Excitation: 10 VDC (15V max)

Combined Error: 0.02% Full scale

Insulation Resistance: >2000 megohms

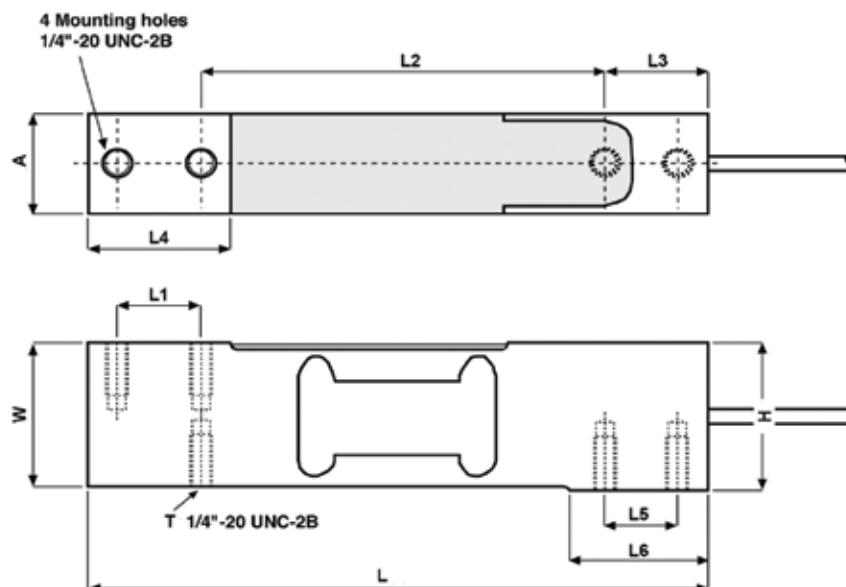
Seal Type: Environmentally sealed - IP66

Cable Length: 10 ft



Imperial Envelope

Outline Dimension in inches



Capacity kg	A	H	L	L1	L2	L3	L4	L5	L6	W	T
7-30kg	.787	1.54	5.91	.75	3.937	.984	1.339	.75	1.339	1.575	1/4-20 UNC-2B
50-100kg	.992	1.54	5.91	.75	3.937	.984	1.339	.75	1.339	1.575	1/4-20 UNC-2B

Interchangeable Products | Revere 642, HBM SP4, RLWS RL1042, Zemic L6N

Order Information

B-TEK Part No.	Capacity	Tedea-Huntleigh Part No.
814-500013	3kg	1042-003K-D5-00X
814-100094	7kg	1042-007K-D5-03F
814-100088	10kg	1042-010K-D5-03F
814-100089	15kg	1042-015K-D5-01X
814-100090	20kg	1042-020K-D5-03F
814-100091	30kg	1042-030K-D5-05F
814-100092	50kg	1042-050K-D5-05F
814-100093	75kg	1042-075K-D5-01X
814-100087	100kg	1042-100K-D5-06F

Tedea-Huntleigh 1250 High Capacity

Single Point, Aluminum Load Cell



Single Point Load Cell

Specifications

Full Scale Output: 2.0 mV/V

Input Resistance: 415 ± 15 ohms

Output Resistance: 355 ± 3 ohms

Material/Finish: Anodized aluminum

Temperature:

Compensated 14°F to 104°F / -10°C to 40°C

Operating -4°F to 158°F / -20°C to 70°C

Safe Overload: 150% Full scale

Rated Excitation: 10 VDC (15V max)

Combined Error: 0.02% Full Scale

Insulation Resistance: >2000 megohms

Seal Type: Potted and/or

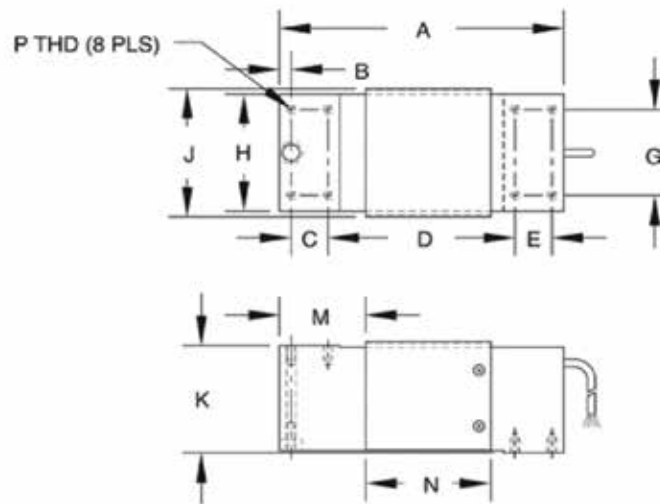
Environmentally sealed - IP65

Cable Length: 10 ft



Imperial Envelope

Outline Dimension in inches



Capacity kg	A	B	C	D	E	G	H	J	K	M	N	P
50-1000kg	7.52	.43	.98	4.92	.98	2.36	2.95	3.23	2.95	2.26	3.35	5/16-18 UNC X .59 DP

Interchangeable Products | Celtron LOC, Flintec PCB, HBM PW12, RLWS RL1250

Order Information

B-TEK Part No.	Capacity	Tedea-Huntleigh Part No.
814-100083	50kg	1250-050K-D5-57F
814-100085	75kg	1250-075K-D5-67F
814-100077	100kg	1250-100K-D5-57F
814-100078	150kg	1250-150K-D5-57F
814-100080	200kg	1250-200K-D5-59F
814-100081	250kg	1250-250K-D5-57F
814-100082	300kg	1250-300K-D5-57F
814-100084	500kg	1250-500K-D5-57F
814-100115	635kg	1250-635K-D5-59F
814-100079	1000kg	1250-001T-D5-59F

Tedea-Huntleigh 1010 Single Point Load Cell



Single Point, Aluminum Load Cell

Specifications

Full Scale Output: 2.0 mV/V

Input Resistance: 415 ohms

Output Resistance: 350 ohms

Material/Finish: Aluminum

Temperature:

Compensated 14°F to 104°F / -10°C to 40°C

Operating -4°F to 158°F / -20°C to 70°C

Safe Overload: 150% Full scale

Rated Excitation: 10 VDC (15V max)

Combined Error: 0.02% Full scale

Insulation Resistance: >5000 megohms

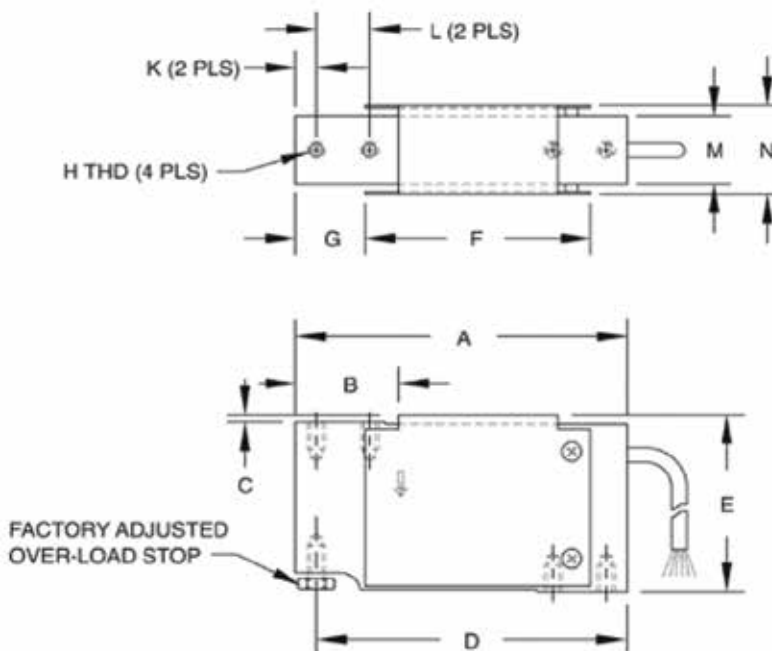
Seal Type: Potted - IP65

Cable Length: 10 ft



Imperial Envelope

Outline Dimension in inches



Capacity kg	A	B	C	D	E	F	G	H	K	L	M	N
10-50kg	4.65	1.34	.12	4.35	2.60	3.15	.98	1/4-20 UNC x 0.5 DP	.30	.75	1.00	1.32

Order Information

B-TEK Part No.	Capacity	Tedea-Huntleigh Part No.
814-100144	10kg	1010-010K-D5-54F
814-100145	15kg	1010-015K-D5-66X
814-100146	20kg	1010-020K-D5-66X
814-100147	30kg	1010-030K-D5-66X
814-100148	50kg	1010-050K-D5-54F

Tedea-Huntleigh 1040 Low Capacity Single

Single Point, Aluminum Load Cell



Single Point Load Cell

Specifications

Full Scale Output: 2.0 mV/V

Input Resistance: 415 ohms

Output Resistance: 350 ohms

Material/Finish: Aluminum

Temperature:

Compensated 14°F to 104°F / -10°C to 40°C

Operating -4°F to 158°F / -20°C to 70°C

Safe Overload: 200% Full scale

Rated Excitation: 10 VDC (15V max)

Combined Error: 0.02% Full Scale

Insulation Resistance: >2000 megohms

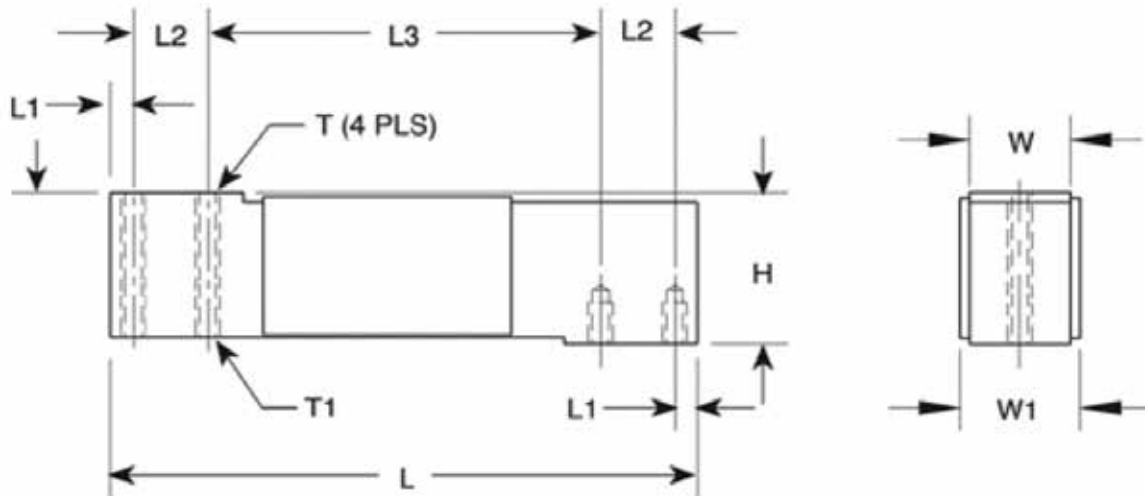
Seal Type: Potted - IP65

Cable Length: 10 ft



Imperial Envelope

Outline Dimension in inches



Capacity kg	H	L	L1	L2	L3	T	T1	W	W1
5kg-100kg	1.57	5.91	.23	.75	3.94	1/4-20 UNC x 0.39 DP	1/4-28 UNF x 0.39 DP	1.00	1.16

Interchangeable Products | Celtron LOC, Mettler Toledo 0785

Order Information

B-TEK Part No.	Capacity	Tedea-Huntleigh Part No.
814-100149	10kg	01040-010K-D5-03X
814-100003	15kg	01040-015K-D5-03X
814-100004	20kg	01040-020K-D5-02X
814-100005	30kg	01040-030K-D5-52X
814-100006	50kg	01040-050K-D5-50F
814-100150	100kg	01040-100K-D5-61X
814-100186	5kg	01040-005K-D5-59X

Tedea-Huntleigh 1260 High Capacity Single

Single Point, Aluminum Load Cell



Specifications

Full Scale Output: 2.0 mV/V

Input Resistance: 415 ohms

Output Resistance: 350 ohms

Material/Finish: Aluminum

Temperature:

Compensated 14°F to 104°F / -10°C to 40°C

Operating -4°F to 158°F / -20°C to 70°C

Safe Overload: 150% Full scale

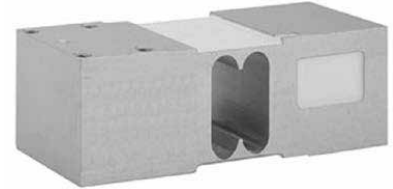
Rated Excitation: 10 VDC (15V max)

Combined Error: 0.02% Full Scale

Insulation Resistance: >2000 megohms

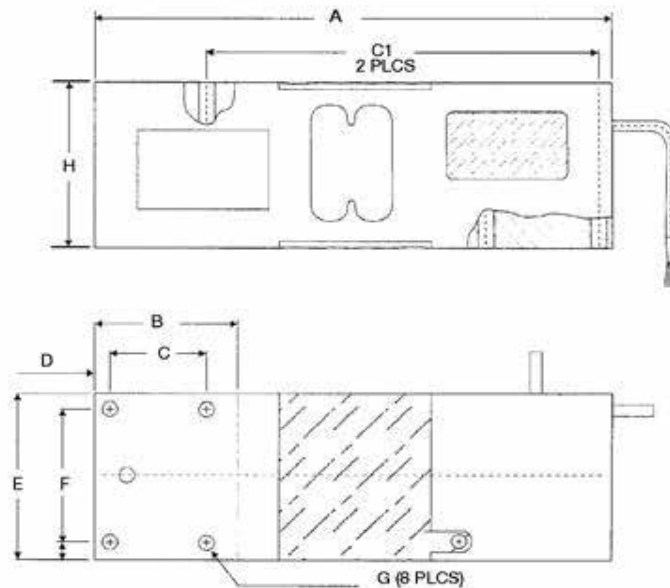
Seal Type: Environmentally sealed - IP67

Cable Length: 10 ft



Imperial Envelope

Outline Dimension in inches



Capacity kg	A	B	C	C1	D	E	F	G	H
75-635kg	7.40	2.05	1.38	5.59	.22	2.45	1.97	5/16-18 UNC-2B	2.45

Interchangeable Products | HBM PW16

Order Information

B-TEK Part No.	Capacity	Tedea-Huntleigh Part No.
814-100151	75kg	01260-075K-D5-01X
814-100152	100kg	01260-100K-D5-01X
814-100153	150kg	01260-150K-D5-01X
814-100031	200kg	01260-200K-D5-01X
814-100154	250kg	01260-250K-D5-01X
814-100155	300kg	01260-300K-D5-01X
814-100032	500kg	01260-500K-D5-01X
814-100156	635kg	01260-635K-D5-01X

Tedea-Huntleigh 1022 Single Point

Single Point, Aluminum Load Cell



Specifications

Full Scale Output: 2.0 mV/V

Input Resistance: 415 ohms

Output Resistance: 350 ohms

Material Finish: Aluminum

Temperature:

Compensated 14°F to 104°F / -10°C to 40°C

Operating -4°F to 158°F / -20°C to 70°C

Safe Overload: 150% Full scale

Rated Excitation: 10V DC (15V max)

Combined Error: 0.02% Full scale

Insulation Resistance: >2000 megohms

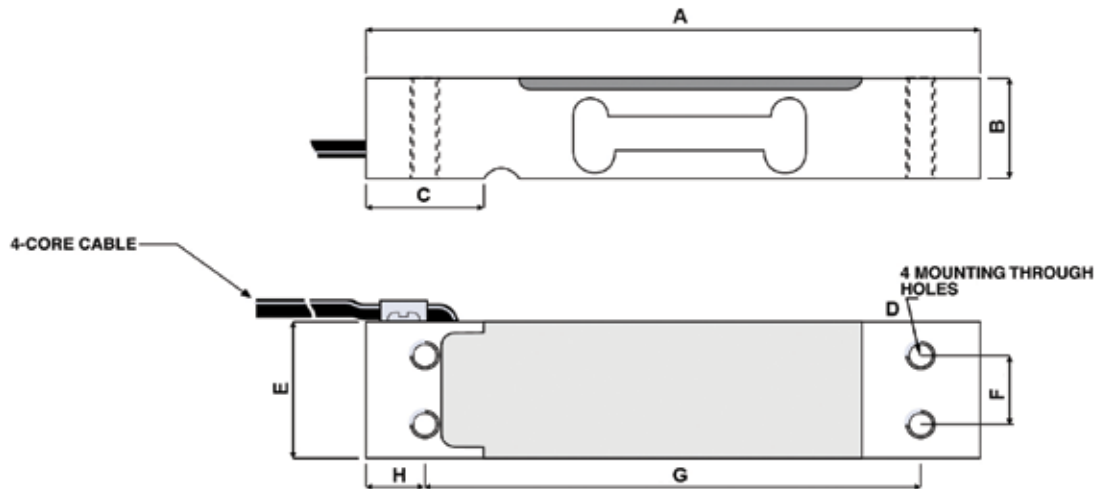
Seal Type: Environmentally sealed - IP66

Cable Length: 10 ft / 100kg 12 ft



Metric Envelope

Outline Dimension in inches



Capacity kg	A	B	C	D	E	F	G	H
3-7kg	5.12	.87	.99	M6 x 1.0	1.00	.59	4.17	.47
10-30kg	5.12	.87	.99	M6 x 1.0	1.18	.59	4.17	.47
35-100kg	5.12	.87	.99	M6 x 1.0	1.57	.59	4.17	.47

Interchangeable Products | Rice Lake RL1521A, Celtron LPS, Zemic L6D

Order Information

B-TEK Part No.	Capacity	Tedea-Huntleigh Part No.
814-100136	3kg	1022-003K-C3-03X
814-100137	5kg	1022-005K-C3-05X
814-100138	7kg	1022-007K-C3-07X
814-100139	10kg	1022-010K-C3-10X
814-100140	15kg	1022-015K-C3-05X
814-100141	20kg	1022-020K-C3-08X
814-100142	30kg	1022-030K-C3-08X
814-100143	35kg	1022-035K-C3-06X
816-500009	100kg	1022-100K-C3-03X

Flintec PCB Single Point Load Cell

Single Point, Stainless Steel Load Cell



Specifications

Full Scale Output: 2.0 mV/V

Input Resistance: 1100 ± 50 ohms

Output Resistance: 960 ± 50 ohms

Material/Finish: Stainless steel

Temperature:

Compensated 14°F to 150°F / -18°C to 65°C

Operating -40°F to 176°F / -40°C to 80°C

Safe Overload: 200% Full scale

Rated Excitation: 10V DC (15V max)

Combined Error: 0.02% Full scale

Insulation Resistance: ≥5000 megohms

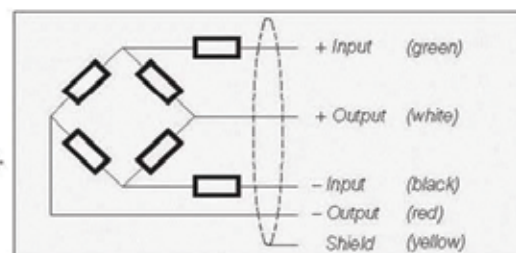
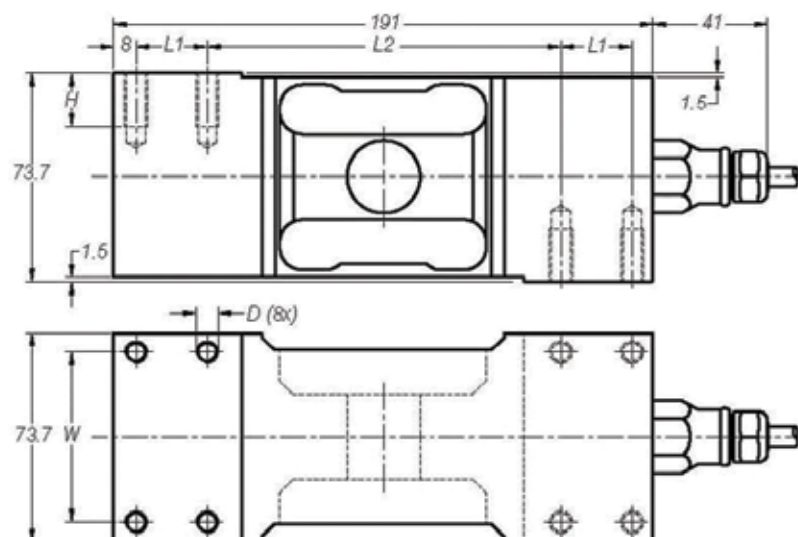
Seal Type: Hermetically sealed - IP68

Cable Length: 10 ft



Imperial Envelope

Outline Dimension mm



Wiring

- The load cell is provided with a shielded, 4 conductor cable.
- Cable length: 3 m.
- Cable diameter: 5 mm.
- The shield is floating.

Type	L	L2	H	W	D	Mounting bolts**	Torque*
PCB-50/100/250/500/1000 kg	25	125	19	60	5/16"-18	5/16"-18	25Nm

Order Information

B-TEK Part No.	Capacity	Flintec Part No.
814-100076	100kg	PCB- 100 Kg
814-500004	250kg	PCB- 250 Kg
814-500005	500kg	PCB- 500 Kg
814-500006	1000kg	PCB- 1000 Kg

Flintec PC6 Single Point Load Cell

Single Point, Stainless Steel Load Cell



Specifications

Full Scale Output: 2.0 mV/V

Input Resistance: 1100 ± 50 ohms

Output Resistance: 960 ± 50 ohms

Material/Finish: Stainless steel

Temperature:

Compensated 14°F to 150°F / -18°C to 65°C

Operating -40°F to 176°F / -40°C to 80°C

Safe Overload: 200% Full scale

Rated Excitation: 10V DC (15V max)

Combined Error: 0.02% Full scale

Insulation Resistance: ≥5000 megohms

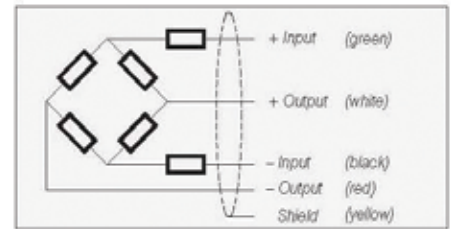
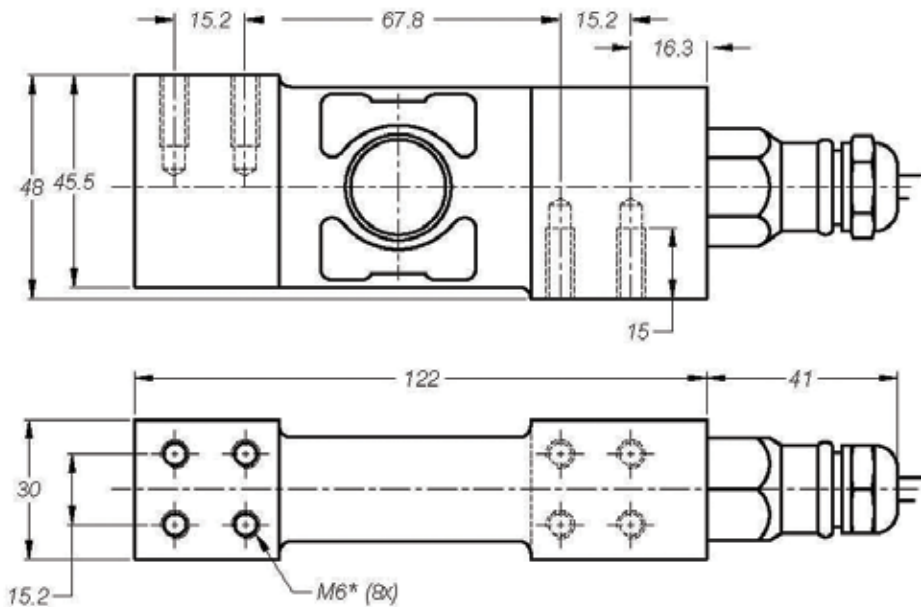
Seal Type: Hermetically sealed - IP68

Cable Length: 10 ft



Metric Envelope

Outline Dimension mm



Wiring

- The load cell is provided with a shielded, 4 conductor cable.
- Cable length: 3 m.
- Cable diameter: 5 mm.
- The shield is floating.

Order Information

B-TEK Part No.	Capacity	Flintec Part No.
814-500018	10kg	PC6-10 Kg
814-500002	20kg	PC6- 20 Kg
814-500003	50kg	PC6- 50 Kg
814-100075	100kg	PC6- 100 Kg
814-500001	200kg	PC6- 200 Kg

WorldWEIGH C Series/4x4 Floor Scale Replacement Load Cells



899-300033



899-300037



899-300092

Order Information

B-TEK Part No.	Capacity	Description
899-300032	6 lb	C100 - 6 lb Replacement Load Cell
899-300033	12 lb	C100 - 12 lb Replacement Load Cell
899-300132	30 lb	C100 - 30 lb Replacement Load Cell
899-300034	60 lb	C100 - 60 lb Replacement Load Cell
899-300035	100 lb	C100 - 100 lb Replacement Load Cell

B-TEK Part No.	Capacity	Description
899-300036	50Kg	C200 Load Cell L6E-50Kg For C200 / 30S
899-300037	100Kg	C200 Load Cell L6G-100Kg For C200 / 60M
899-300038	200Kg	C200 Load Cell L6G-200Kg For C200 / 150M / 150L
899-300039	500Kg	C200 Load Cell L6G-500 Kg For C200 / 300L

B-TEK Part No.	Capacity	Description
899-300048	50 lb	C300 / 50 WW-1214-50-BS Single Point Load Cell
899-300049	100 lb	C300 / 100 WW-1620-100-BS Single Point Load Cell
899-300092	250 lb	C300 / 250 WW-1620-250-BS Single Point Load Cell



899-300057

B-TEK Part No.	Description
899-300056	WW-4848-5K Stainless Steel Leveling Foot
899-300057	WW-4848-5K Platform Replacement 2K lb Load Cell
899-300104	WW-4848-5K Platform Replacement 2.5K lb Load Cell
899-300058	WW-4848 Stainless Steel Junction Box
899-300059	WW-4848 Floor Scale 4-cell Summing Board
899-300060	14' Poly Coated Metal Braid Cable with DB-9 Connector
899-300061	M16 Lifting Eye Bolt - 2.0 x 27mm
899-300062	1/2-20 Fine Thread 2" Mounting Bolt for Load Cell each
899-300128	48" x 36" Tread Plate Mild Steel Ramp w/Foot Retaining Plates

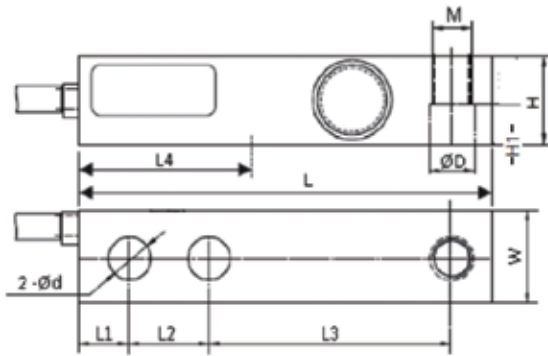
Single Ended Shear Beams

B-TEK Scales, LLC Load Cell and Hardware Catalog

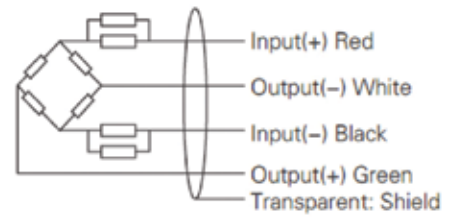
B-TEK Scales, LLC inventory is not limited to this catalog. Please call 800.266.8900 and we can help.

33 | Zemic **35** | Sensortronics **40** | Revere
42 | Celtron **44** | Coti

Notes:



Dimension Capacity	L	L1	L2	L3	L4	H	H1	W	W1	D	d	M
250-5KSE	130.0 (5.12)	15.8 (0.62)	25.4 (1.0)	76.2 (3.0)	54.2 (2.13)	31.8 (1.25)	15.8 (0.62)	31.8 (1.25)	34.0 (1.34)	13.5 (0.53)	13.5 (0.53)	1/2-20UNF
5k-10k	171.5 (6.75)	19.1 (0.75)	38.1 (1.5)	95.3 (3.75)	77.2 (3.04)	38.1 (1.5)	18.8 (0.74)	38.1 (1.5)	40.0 (1.57)	19.8 (0.78)	19.8 (0.78)	3/4-16UNF



- Shielded, 4 conductor cable
- Cable diameter: 0.2in
- Standard cable length: 20ft
- Shield not connected to the element

Coti CG-745 SST Single Ended Shear Beam

SESB Stainless Steel Environmentally Sealed Load Cell



Specifications

Rated Output: 2.00 mV/V

Safe Overload: 150% FS

Excitation Voltage: 10~20 (VDC)

Input Resistance: 385 ± 10 ohms

Output Resistance: 350 ± 3 ohms

Non-Linearity: ±.03% FS

Hysteresis: ±.02% FS

Repeatability: ±.01% FS

Creep (30 min): ±.02% FS

Temperature:

Compensated 14°F to 104°F / -10°C to 40°C

Operating -4°F to 140°F / -20°C to 60°C

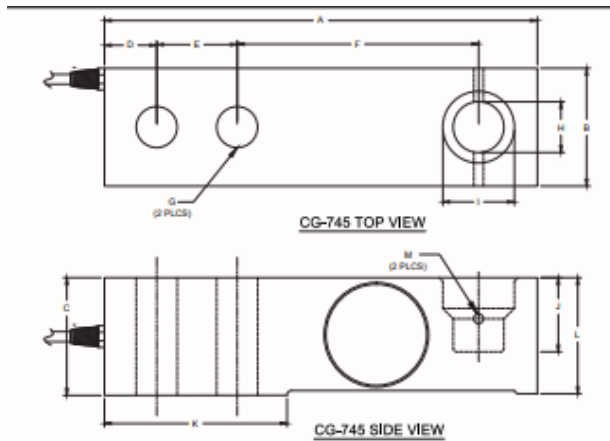
Insulation Resistance: ≥5000 megohms

Seal Type: Environmental IP67

Cable Length: 30 ft



Outline Dimension mm (inch)



RATED CAPACITY	DIMENSIONS												
	A	B	C	D	E	F	G	H	I	J	K	L	M
500LB-4K	5.25	1.21	1.19	0.63	1.00	3.00	0.51	0.63	0.89	0.69	2.27	1.18	0.12
5K	5.38	1.46	1.46	0.65	1.00	3.00	0.51	0.63	0.89	0.92	2.27	1.44	0.12
10K	6.75	1.69	1.69	0.75	1.50	3.75	0.78	0.89	1.38	1.07	2.91	1.67	0.12

Input:

+ Excitation Green
- Excitation Black

Output;

+ Sig White
- Sig Red

Order Information

B-TEK Part No.	Capacity	Coti Part No.
813-500098	500	CG-745-500 SST SESB NTEP LOAD CELL
813-500093	1.25K	CG-745-1.25K SST SESB NTEP LOAD CELL
813-500090	2.5K	CG-745-2.5K SST SESB NTEP LOAD CELL
813-500097	4K	CG-745-4K SST SESB NTEP LOAD CELL
813-500096	5K	CG-745-5K SST SESB NTEP LOAD CELL
813-500095	10K	CG-745-10K SST SESB NTEP LOAD CELL
100-96342		CG-745 SST 1.25" ROCKER PIN (1k-5k RPS PLATFORMS)
100-97423		CG-745 SST 1.5" ROCKER PIN (10k RPS PLATFORMS)

Bold italicized part number denotes not commonly stocked.



ZEMIC B8D Single Ended Shear Beam

SESB, Stainless Steel Load Cell

Specifications

Max No. of Verification Intervals:

5000/10000 Nmax

Min Load Cell Verification Intervals:

Class III/IIII Vmin

Output Sensitivity: 3.0±0.008 mV/V

Input Resistance: 350 ± 3.5 ohms

Output Resistance: 350 ± 3.5 ohms

Insulation Resistance: ≥5000 (50VDC)

Temperature:

Compensated 14°F to 104°F / -10°C to 40°C

Operating -31°F to 158°F / -31°C to 70°C

Excitation, Recommended: 5~12V (DC)

Excitation, Max: 18V (DC)

Safe Overload: 150% Full Scale

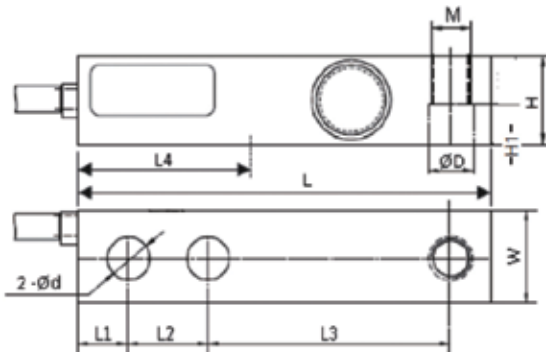
Ultimate Overload: 300% Full Scale

Seal Type: Environmentally sealed - IP67

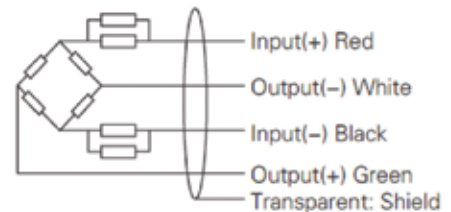
Cable Length: 20 ft



Outline Dimension mm (inch)



Dimension Capacity	L	L1	L2	L3	L4	H	H1	W	W1	D	d	M
250-5KSE	130.0 (5.12)	15.8 (0.62)	25.4 (1.0)	76.2 (3.0)	54.2 (2.13)	31.8 (1.25)	15.8 (0.62)	31.8 (1.25)	34.0 (1.34)	13.5 (0.53)	13.5 (0.53)	1/2-20UNF
5k-10k	171.5 (6.75)	19.1 (0.75)	38.1 (1.5)	95.3 (3.75)	77.2 (3.04)	38.1 (1.5)	18.8 (0.74)	38.1 (1.5)	40.0 (1.57)	19.8 (0.78)	19.8 (0.78)	3/4-16UNF



- Shielded, 4 conductor cable
- Cable diameter: 0.2in
- Standard cable length: 20ft
- Shield not connected to the element

Interchangeable Products | Revere M9123, TedeA 3410, Celtron SQB, Sensortronics 65023, RL32018

Order Information

B-TEK Part No.	Capacity	Zemic Part No.
813-100123	250	B8D-N5-250-6YB (non NTEP)
813-100124	500	B8D-N5-500-6YB
813-100125	750	B8D-N5-750-6YB
813-100126	1K	B8D-N5-1K-6YB
813-100127	1.5K	B8D-N5-1.5K-6YB
813-100128	2K	B8D-N5-2K-6YB
813-100129	2.5K	B8D-N5-2.5K-6YB
813-100130	3K	B8D-N5-3K-6YB
813-100131	4K	B8D-N5-4K-6YB
813-100132	5KSE	B8D-N5-5KSE-6YB
813-100133	5KLE	B8D-N5-5K-6YB
813-100134	7.5K	B8D-N5-7.5K-6YB
813-100135	10K	B8D-N5-10K-6YB

ZEMIC H8C Single Ended Shear Beam

SESB, Alloy Steel Load Cell



Single Ended Shear Beams

Specifications

Max No. of Verification Intervals:

5000/10000 Nmax

Min Load Cell Verification Intervals:

Class III/IIIL Vmin

Output Sensitivity: 3.0 ± 0.008 mV/V

Input Resistance: 350 ± 3.5 ohms

Output Resistance: 350 ± 3.5 ohms

Insulation Resistance: ≥ 5000 (50VDC)

Temperature:

Compensated 14°F to 104°F / -10°C to 40°C

Operating -31°F to 158°F / -35°C to 70°C

Excitation, Recommended: 5~12V (DC)

Excitation, Max: 18V (DC)

Safe Overload: 150% Full scale

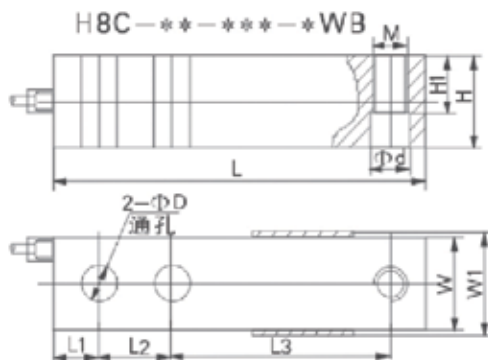
Ultimate Overload: 300% Full scale

Seal Type: Environmentally sealed - IP67

Cable Length: 20 ft



Outline Dimension mm (inch)



Dimension Capacity	L	L1	L2	L3	L4	H	H1	W	W1	D	d	M
250-5KSE	130.0 (5.12)	15.8 (0.62)	25.4 (1.0)	76.2 (3.0)	54.2 (2.13)	31.8 (1.25)	15.8 (0.62)	31.8 (1.25)	34.0 (1.34)	13.5 (0.53)	13.5 (0.53)	1/2-20UNF
5K-10K	171.5 (6.75)	19.1 (0.75)	38.1 (1.5)	95.3 (3.75)	77.2 (3.04)	38.1 (1.5)	18.8 (0.74)	38.1 (1.5)	40.0 (1.57)	19.8 (0.78)	19.8 (0.78)	3/4-16UNF
20K	222.3 (8.75)	25.4 (1.0)	50.8 (2.0)	120.7 (4.75)	101.6 (4)	50.8 (2.0)	25.4 (1.0)	50.8 (2)	52.4 (2.06)	26.9 (1.06)	26.0 (1.02)	1-14UNF

- Shielded, 4 conductor cable
- Cable diameter: $\varnothing 0.21$
- Shield not connected to element
- Standard cable length: 20ft

Interchangeable Products | Revere 5123, HBM B35, Teda 3420/3421, Celtron SQB, Sensortronics 65023, Coti CG-23, Artech 30310, Rice Lake RL32018, Totalcomp TSB, Transcell SBS

Order Information

B-TEK Part No.	Capacity	Zemic Part No.
813-100136	250	H8C-N5-250-6YWB-SC
813-100137	500	H8C-N5-500-6YWB-SC
813-100138	750	H8C-N5-750-6YWB-SC
813-100139	1K	H8C-N5-1.0K-6YWB-SC
813-100164	1K	H8C-N5-1.0K-3YWB-SC - 10'
813-100140	1.5K	H8C-N5-1.5K-6YWB-SC
813-100141	2K	H8C-N5-2.0K-6YWB-SC
813-100142	2.5K	H8C-N5-2.5K-6YWB-SC
813-100143	3K	H8C-N5-3.0K-6YWB-SC
813-100144	4K	H8C-N5-4.0K-6YWB-SC
813-100145	5KSE	H8C-N5-5KSE-6YWB-SC
813-100146	5KLE	H8C-N5-5.0K-6YWB-SC
813-100147	7.5K	H8C-N5-7.5K-6YWB-SC
813-100148	10K	H8C-N5-10K-6YWB-SC
813-100149	15K	H8C-N5-15K-6YWB-SC-M1
813-100150	20K	H8C-N5-20K-6YWB-SC-M1

Sensortronics 65023 Single Ended Shear Beam



SESB, Nickle Plated Steel Load Cell

Specifications

Full Scale Output: 3.0 mV/V

Input Resistance: 343 - 357 ohms

Output Resistance: 349 - 355 ohms

Material/Finish: Nickel plated steel

Temperature:

Compensated 14°F to 104°F / -10°C to 40°C

Operating 0°F to 150°F / -18°C to 65°C

Safe Overload: 150% Full scale

Rated Excitation: 10V DC (15V max)

Nonlinearity: 0.03% Full scale

Hysteresis: 0.02% Full scale

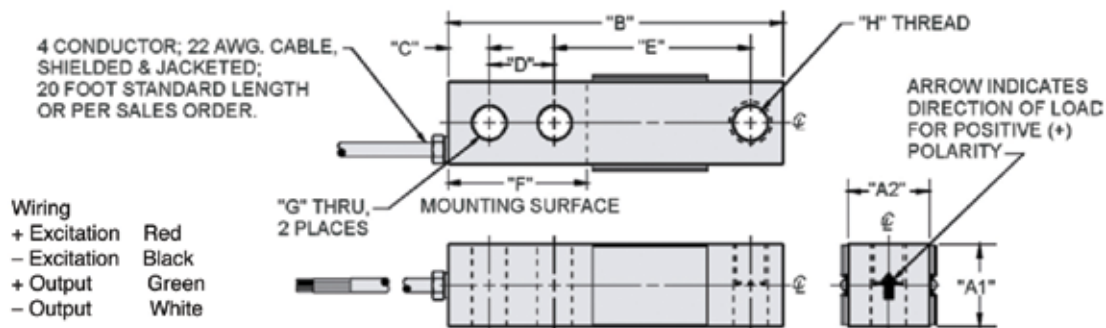
Insulation Resistance: ≥5000 megohms

Seal Type: Environmentally sealed - IP67

Cable Length: 10 ft and 20 ft available



Outline Dimension in inches



CAPACITY	A1	A2	B	C	D	E	F	G	H	DEFLECTION	WEIGHT
250-500 lbs	1.00	1.25	5.12	0.62	1.00	3.00	2.25	0.53	1/2-20 UNF-2B, Ø0.53 x 0.50 DP C'BORE	0.013	1.7
1-4k	1.25	1.25	5.12	0.62	1.00	3.00	2.25	0.53	1/2-20 UNF-2B, Ø0.53 x 0.62 DP C'BORE	0.017-0.025	4.0
5k-10k	1.50	1.50	6.75	0.75	1.50	3.75	3.00	0.78	3/4-16 UNF-2B, Ø0.78 x 0.75 DP C'BORE	0.025-0.035	6.5
15k-20k	2.00	2.00	8.88	1.00	2.00	4.88	4.00	1.03	1"-14 UNF-2B, Ø1.03 x 1.00 DP C'BORE	0.048-0.063	9.0

Interchangeable Products | Revere 5123, RLWS RL32018, Celtron SQB Zemic H8C

Order Information

B-TEK Part No.	Capacity	Sensortronics Part No.
813-100090	250	65023-250L-NC-01F-0107 (10' cable)
813-100091	500	65023-500L-NC-01F-0107 (10' cable)
813-100017	250	65023-250L-NC-00F-0107 (20' cable)
813-100018	500	65023-500L-NC-08F-0107 (20' cable)
813-100074	15K	65023-015E-NC-02F-0107 (20' cable)
813-100016	20K	65023-020E-NC-00F-0107 (20' cable)

Bold italicized part number denotes not commonly stocked.

Sensortronics 65023A Single Ended Shear Beam



SESB, Nickle Plated Steel Load Cell

Specifications

Full Scale Output: 3.0 mV/V

Input Resistance: 343 - 357 ohms

Output Resistance: 349 - 355 ohms

Material/Finish: Nickel plated steel

Temperature:

Compensated 14°F to 104°F / -10°C to 40°C

Operating 0°F to 150°F / -18°C to 65°C

Safe Overload: 150% Full scale

Rated Excitation: 10V DC (15V max)

Nonlinearity: 0.03% Full scale

Hysteresis: 0.02% Full scale

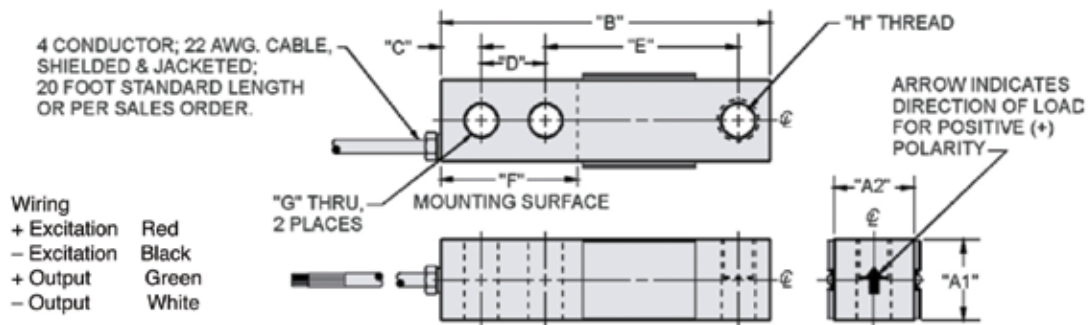
Insulation Resistance: ≥5000 megohms

Seal Type: Environmentally sealed - IP67

Cable Length: 10 ft and 20 ft available



Outline Dimension in inches



CAPACITY	A1	A2	B	C	D	E	F	G	H	DEFLECTION	WEIGHT
250-500 lbs	1.00	1.25	5.12	0.62	1.00	3.00	2.25	0.53	1/2-20 UNF-2B, Ø0.53 x 0.50 DP C'BORE	0.013	1.7
1-5k SE	1.25	1.25	5.12	0.62	1.00	3.00	2.25	0.53	1/2-20 UNF-2B, Ø0.53 x 0.62 DP C'BORE	0.017-0.025	4.0
5k-10k	1.50	1.50	6.75	0.75	1.50	3.75	3.00	0.78	3/4-16 UNF-2B, Ø0.78 x 0.75 DP C'BORE	0.025-0.035	6.5

Order Information

B-TEK Part No.	Capacity	Sensortronics Part No.
813-100092	1K	65023-001E-A5-15F-5107 (10' cable)
813-100094	4K	65023-004E-A5-01F-5107 (10' cable) (standard 4 sq)
813-100020	1K	65023-001E-A5-14F-5107 (20' cable)
813-100093	2.5K	65023-02E5-A5-02F-5107 (10' cable)
813-100021	2.5K	65023-02E5-A5-01F-5107 (20' cable)
813-100023	4K	65023-004E-A5-00F-5107 (20' cable)
813-100025	5K	65023-005E-A5-03F-5223 (20' cable) SE
813-100024	5K	65023-005E-A5-16F-5107 (20' cable) LE
813-100019	10K	65023-010E-A5-00F-5107 (20' cable)

Sensortronics 65023S Single Ended Shear Beam



SESB, Stainless Steel Load Cell

Specifications

Full Scale Output: 3.0 mV/V

Input Resistance: 343 - 357 ohms

Output Resistance: 349 - 355 ohms

Material/Finish: Stainless steel

Temperature:

Compensated 14°F to 104°F / -10°C to 40°C

Operating 0°F to 150°F / -18°C to 65°C

Safe Overload: 150% Full scale

Rated Excitation: 10V DC (15V max)

Nonlinearity: 0.03% Full scale

Hysteresis: 0.02% Full scale

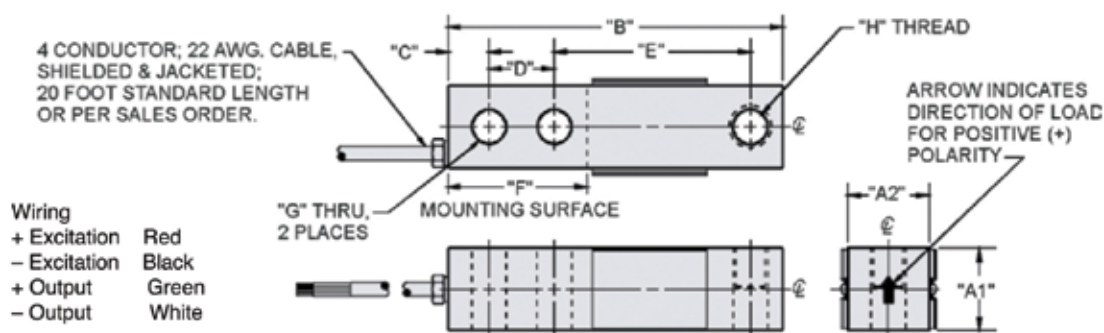
Insulation Resistance: ≥5000 megohms

Seal Type: Environmentally sealed - IP67

Cable Length: 20 ft



Outline Dimension in inches



CAPACITY	A1	A2	B	C	D	E	F	G	H	DEFLECTION	WEIGHT
250-500 lbs	1.00	1.25	5.12	0.62	1.00	3.00	2.25	0.53	1/2-20 UNF-2B, Ø0.53 x 0.50 DP C'BORE	0.013	1.7
1-5k SE	1.25	1.25	5.12	0.62	1.00	3.00	2.25	0.53	1/2-20 UNF-2B, Ø0.53 x 0.62 DP C'BORE	0.017-0.025	4.0
5k-10k	1.50	1.50	6.75	0.75	1.50	3.75	3.00	0.78	3/4-16 UNF-2B, Ø0.78 x 0.75 DP C'BORE	0.025-0.035	6.5
15k-20k	2.00	2.00	8.88	1.00	2.00	4.88	4.00	1.03	1"-14 UNF-2B, Ø1.03 x 1.00 DP C'BORE	0.048-0.063	9.0

Interchangeable Products | RLWS RL32018

Order Information

B-TEK Part No.	Capacity	Sensortronics Part No.
813-100027	1K	65023-001E-A5-10F-5113
813-100029	2.5K	65023-02E5-A5-08F-5113
813-100031	4K	65023-004E-A5-04F-5113
813-100070	5K	65023-005E-A5-11F-5225 SE
813-100069	5K	65023-005E-A5-10F-5113 LE
813-100026	10K	65023-010E-A5-04F5113
813-100030	20K	65023-020E-NC-02F-0113 (non



Sensortronics 65083S Single Shear Beam

SESB, Stainless Steel Weld Seal

Specifications

Full Scale Output: 2.0 mV/V

Input Resistance: 343 - 357 ohms

Output Resistance: 349 - 355 ohms

Material/Finish: Stainless steel

Temperature:

Compensated 14°F to 104°F / -10°C to 40°C

Operating 0°F to 150°F / -18°C to 65°C

Safe Overload: 150% Full scale

Rated Excitation: 10V DC (15V max)

Nonlinearity: 0.03% Full scale

Hysteresis: 0.02% Full scale

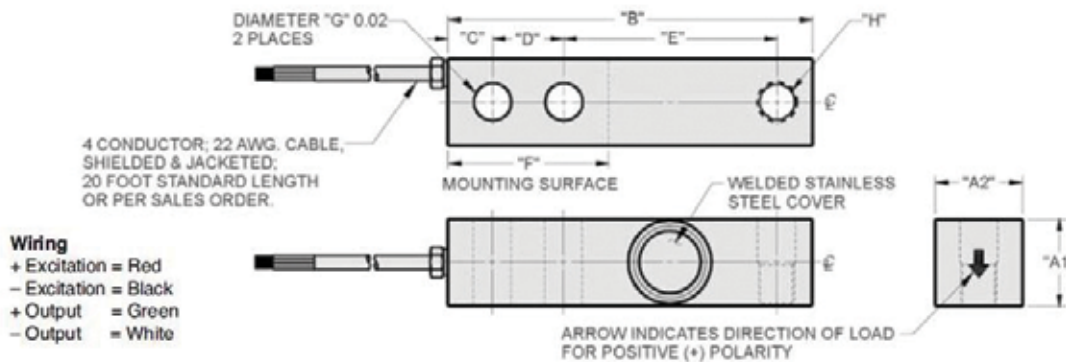
Insulation Resistance: ≥5000 megohms

Seal Type: Welded gage cover - IP68 and IP69

Cable Length: 20 ft Teflon jacketed cable



Outline Dimension inches



CAPACITY	A1	A2	B	C	D	E	F	G	H	DEFLECTION	WEIGHT
1k-4k	1.22	1.22	5.12	0.62	1.00	3.00	2.25	0.53	1/2-20 UNF-2B, Ø0.53 x 0.61 DEEP C'BORE	0.008-0.026	4.0
5k-SE	1.22	1.22	5.12	0.62	1.00	3.00	2.25	0.53	1/2-20 UNF-2B, Ø0.53 x 0.61 DEEP C'BORE	0.008-0.026	4.0
5k-10k	1.50	1.50	6.75	0.75	1.50	3.75	3.00	0.78	3/4-16 UNF-2B, Ø0.78 x 0.75 DEEP C'BORE	0.030-0.055	6.5

Interchangeable Products | Rice Lake RL32018

Order Information

B-TEK Part No.	Capacity	Sensortronics Part No.
813-500006	1K	65083-001E-A5-01F-5100 Teflon Cable
813-500007	2.5K	65083-02E5-A5-01F-5100 Teflon Cable
813-500008	4K	65083-004E-A5-01F-5100 Teflon Cable
813-500109	5K	65083-005E-NC-05X-5100 Teflon Cable
813-500021	5K	65083-005E-A5-09F-5100 LE Teflon Cable
813-500005	10K	65083-010E-A5-01F-5100 Teflon Cable

Sensortronics 65083S-5000H Single Shear Beam



SESB, Stainless Steel Hermetic Load Cell

Specifications

Full Scale Output: 2.0 mV/V

Input Resistance: 343 - 357 ohms

Output Resistance: 349 - 355 ohms

Material/Finish: Stainless steel

Temperature:

Compensated 14°F to 104°F / -10°C to 40°C

Operating 0°F to 150°F / -18°C to 65°C

Safe Overload: 150% Full scale

Rated Excitation: 10V DC (15V max)

Nonlinearity: 0.03% Full scale

Hysteresis: 0.02% Full scale

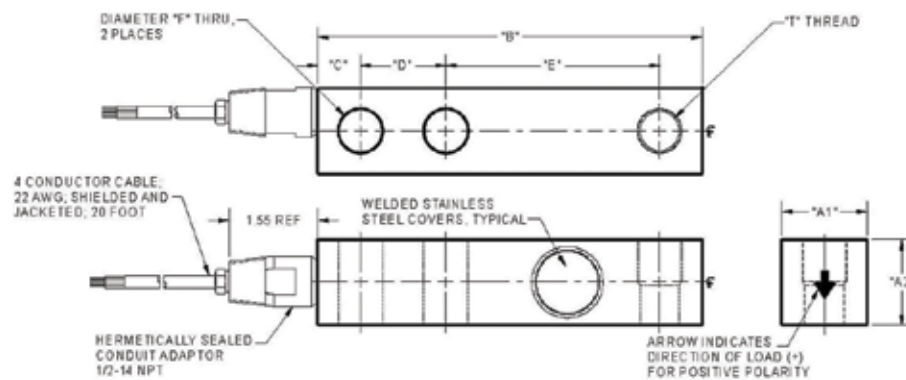
Insulation Resistance: ≥5000 megohms

Seal Type: Hermetically Sealed - IP68

Cable Length: 20 ft with conduit adaptor



Outline Dimension in inches (mm)



WIRING

FUNCTION	COLOR
+ Excitation	Red
- Excitation	Black
+ Output	Green
- Output	White

CAPACITY	A1	A2	B	C	D	E	F	G-Thread	Deflection	Weight
1K - 4K	1.22 (31.0)	1.22 (31.0)	5.12 (130.0)	0.62 (16.0)	1.00 (25.0)	3.00 (76.0)	0.53 (13.0)	1/2-20 UNF-2B, .53 x .81 DP C' BORE (M12x1.75-6H)	0.012 (.305)	2.4 (1.1)
5K-SE*	1.22 (31.0)	1.22 (31.0)	5.12 (130.0)	0.62 (16.0)	1.00 (25.0)	3.00 (76.0)	0.53 (13.0)	1/2-20 UNF-2B, .53 x .61 DP C' BORE (M12x1.75-6H)	0.012 (.305)	2.4 (1.1)
5K-LE	1.50 (38.0)	1.50 (38.0)	6.75 (171.0)	0.75 (19.0)	1.50 (38.0)	3.75 (95.0)	0.78 (20.0)	3/4-16 UNF-2B, .78 x .75 DP C' BORE (M20x2.5-6H)	0.030 (0.762)	3.9 (1.8)

Order Information

B-TEK Part No.

Capacity

Sensortronics Part No.

813-500031

1K

65083-001E-A5-00F-5000H

813-500030

2.5K

65083-02E5-A5-00F-5000H

813-500009

4K

65083-004E-A5-00F-5000H

813-500022

5K

65083-005E-A5-00X-5000H-SE

813-500004

5K

65083-005E-A5-08F-5000H-LE

Revere 5123 Single Ended Shear Beam

SESB, Alloy Steel Load Cell



Specifications

Full Scale Output: 3.0 mV/V

Input Resistance: 350 ohms

Output Resistance: 352 ohms

Material/Finish: Alloy steel

Temperature:

Compensated 14°F to 104°F / -10°C to 40°C

Operating 0°F to 150°F / -18°C to 65°C

Safe Overload: 150% Full scale

Rated Excitation: 10V DC (15V max)

Combined Error: 0.025% Full scale

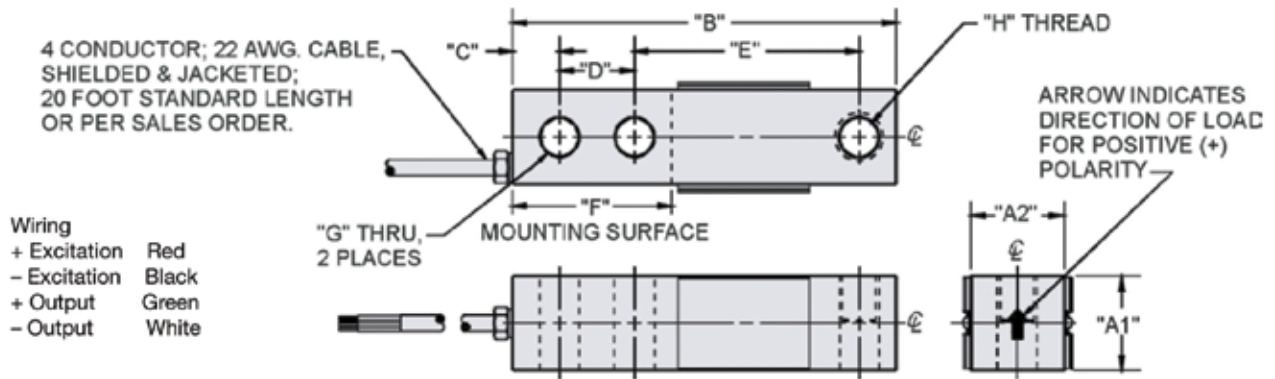
Insulation Resistance: >1000 megohms

Seal Type: Environmentally sealed - IP67

Cable Length: 20 ft



Outline Dimension in inches



CAPACITY	A ₁	A ₂	B	C	D	E	F	G	H	DEFLECTION	WEIGHT
1k-4k lbs.	1.25	1.25	5.12	0.62	1.00	3.00	2.25	0.53	1/2-20 UNF-2B, Ø0.53 x 0.62 DP C'BORE	0.017 - 0.025	4.0
5k-10k lbs.	1.50	1.50	6.75	0.75	1.50	3.75	3.00	0.78	3/4-16 UNF-2B, Ø0.78 x 0.75 DP C'BORE	0.025 - 0.035	6.5

Interchangeable Products | Rice Lake RL30000, Teda 3411, Artech 30310, Zemic H8C

Order Information

B-TEK Part No.	Capacity	VPG Part No.
813-100009	1K	05123-001E-A5-01X
813-100010	2.5K	05123-02E5-A5-01X
813-100011	4K	05123-004E-A5-01X
813-100012	5K	05123-005E-A5-00X
813-100008	10K	505123-010E-A5-00X

Revere 9123 Single Ended Shear Beam

SESB, Stainless Steel Load Cell



Specifications

Full Scale Output: 3.0 mV/V

Input Resistance: 385 ohms

Output Resistance: 350 ohms

Material/Finish: Stainless steel

Temperature:

Compensated 14°F to 104°F / -10°C to 40°C

Operating -40°F to 176°F / -40°C to 80°C

Safe Overload: 150% Full scale

Rated Excitation: 10V DC (15V max)

Combined Error: 0.02% Full scale

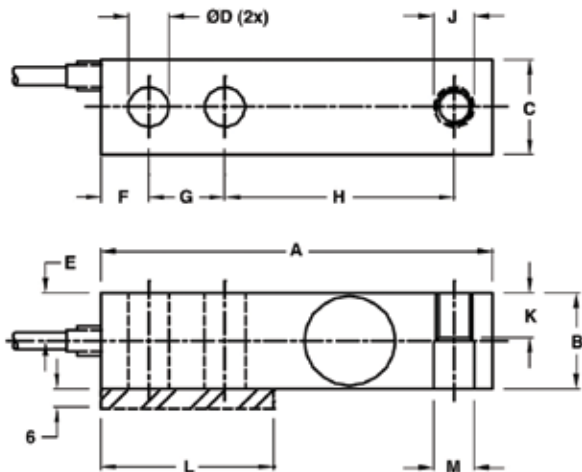
Insulation Resistance: ≥5000 megohms

Seal Type: Environmentally sealed - IP67

Cable Length: 20 ft



Outline Dimension in inches



Capacity	Dimensions in inches		
	1k-4k	5k-15k	20k
A	5.12	6.75	8.75
B	1.23	1.45	1.95
C	1.23	1.45	1.95
ØD	0.53	0.78	1.06
E	0.62	0.72	0.98
F	0.62	0.75	1.00
G	1.00	1.50	2.00
H	3.00	3.75	4.75
J	½-20UNF-2B	¾-16UNF-2B	1-12UNF-2B
K	0.62	0.75	0.98
L	2.25	3.12	4.00
ØM	0.53	0.78	1.030

+ Excitation Red
 - Excitation Black
 + Output Green
 - Output White
 Shield Transparent

Cable screen is not connected to load cell body. Performance may be affected if load cell cables are shortened.

Interchangeable Products | Rice Lake RL39123, HBM B35, Zemic B8D

Order Information

B-TEK Part No.	Capacity	VPG Part No.
813-100151	250	09123-250L-A5-00X
813-100051	500	09123-500L-A5-00X
813-100050	1K	09123-001E-A5-00X
813-100046	2.5K	09123-02E5-A5-00X
813-100047	4K	09123-004E-A5-00X
813-100049	5K	09123-005E-A5-00X
813-100048	5K	09123-005E-A5-01X
813-100044	10K	09123-010E-A5-A5X
813-100152	15K	09123-015E-A5-00X
813-100095	20K	09123-020E-A5-00X(1-12 UNF)

Celtron SQB Single Ended Shear Beam

SESB, Alloy Steel Load Cell



Single Ended Shear Beams

Specifications

Full Scale Output: 3.0 mV/V

Input Resistance: 385 ohms

Output Resistance: 350 ohms

Material/Finish: Alloy steel

Temperature:

Compensated 14°F to 104°F / -10°C to 40°C

Operating -4°F to 140°F / -20°C to 60°C

Safe Overload: 150% Full scale

Rated Excitation: 10V DC (15V max)

Combined Error: 0.02% Full scale

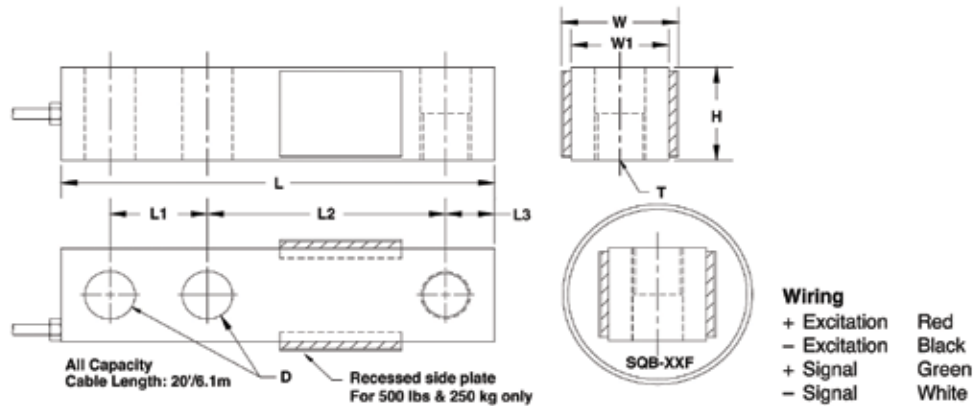
Insulation Resistance: >5000 megohms

Seal Type: Environmentally sealed - IP67

Cable Length: 20 ft



Outline Dimension in inches



Capacity	L	L1	L2	L3	W	W1	H	D	T
500 lbs	5.12	1.00	3.00	.50	1.25	1.25	1.00	.53	1/2-20UNF
1k/2k/2.5k/3k/4k/5kSE lbs	5.12	1.00	3.00	.50	1.50	1.25	1.25	.53	1/2-20UNF
5kLE/10k lbs	6.75	1.50	3.75	.75	1.74	1.50	1.50	.78	3/4-16UNF

Interchangeable Products | Rice Lake RL35023, Sensortronics 65023, Zemic H8C

Order Information

B-TEK Part No.	Capacity	Celtron Part No.
813-100153	500	SQB-500L-G0-00F
813-100088	1K	SQB-001E-A5-00F
813-100154	2K	SQB-002E-A5-00F
813-100078	2.5K	SQB-02E5-A5-00F
813-100122	3K	SQB-003E-A5-00F
813-100155	4K	SQB-004E-A5-00F
813-100079	5K	SQBS-005E-A5-11F SE
813-100156	5K	SQB-005E-A5-00F LE
813-500060	10K	SQB-010E-A5-00F

Celtron SQB Single Ended Shear Beam

SESB, Stainless Steel Welded Load Cell



Specifications

Full Scale Output: 3.0 mV/V

Input Resistance: 385 ohms

Output Resistance: 350 ohms

Material/Finish: Stainless steel

Temperature:

Compensated 14°F to 104°F / -10°C to 40°C

Operating -4°F to 140°F / -20°C to 60°C

Safe Overload: 150% Full scale

Rated Excitation: 10V DC (15V max)

Combined Error: 0.02% Full scale

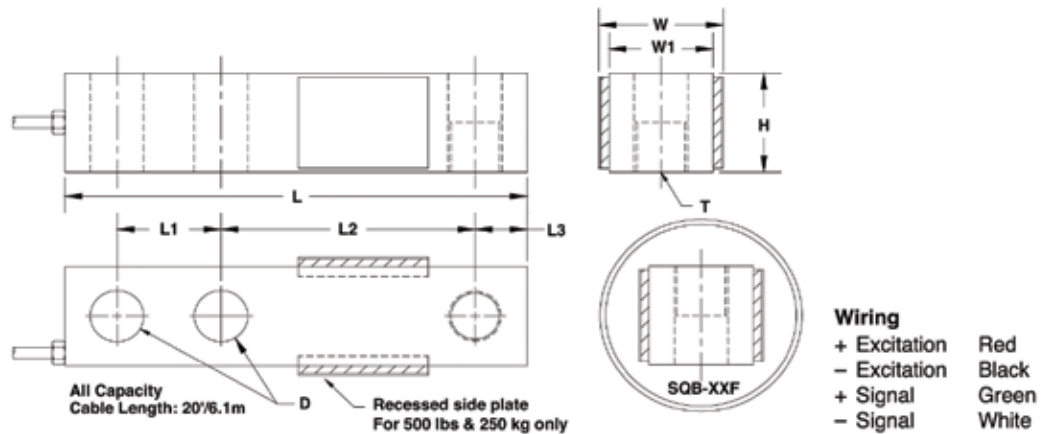
Insulation Resistance: >5000 megohms

Seal Type: Welded seal - IP67

Cable Length: 20 ft



Outline Dimension in inches



Capacity	L	L1	L2	L3	W	W1	H	D	T
500 lbs	5.12	1.00	3.00	.50	1.25	1.25	1.00	.53	1/2-20UNF
1k/2k/2.5k/3k/4k/5kSE lbs	5.12	1.00	3.00	.50	1.50	1.25	1.25	.53	1/2-20UNF
5kLE/10k lbs	6.75	1.50	3.75	.75	1.74	1.50	1.50	.78	3/4-16UNF

Interchangeable Products | Zemic B8D

Order Information

B-TEK Part No.	Capacity	Celtron Part No.
813-100157	1K	SQB-001E-A5-09F
813-100158	2K	SQB-002E-A5-08F
813-100159	2.5K	SQB-02E5-A5-16F
813-100160	4K	SQB-004E-A5-09F
813-100161	5K	SQBS-005E-A5-22F SE
813-100162	5K	SQB-005E-A5-08F LE
813-100163	10K	SQB-010E-A5-07F

Double Ended Shear Beams

B-TEK Scales, LLC Load Cell and Hardware Catalog

B-TEK Scales, LLC inventory is not limited to this catalog. Please call 800.266.8900 and we can help.

48 | Zemic **51** | Sensortronics **57** | Revere **61** | Coti

Notes:

ZEMIC B9C Double Ended Shear Beam

DESB, Stainless Steel Load Cell



Double Ended Shear Beams

Specifications

Max No. of Verification Intervals:

5000/10000 Nmax

Min Load Cell Verification Intervals: Class

III/IIIL Vmin

Output Sensitivity: 3.0 ± 0.008 mV/V

Input Resistance: 700 ± 7 ohms

Output Resistance: 703 ± 4 ohms

Insulation Resistance: ≥5000 (50VDC)

Temperature:

Compensated 14°F to 104°F / -10°C to 40°C

Operating -31°F to 158°F / -35°C to 70°C

Excitation, Recommended: 5~12V (DC)

Excitation, Max: 18V (DC)

Safe Overload: 150% Full Scale

Ultimate Overload: 300% Full Scale

Seal Type: Environmentally sealed - IP67

Cable Length: 30 ft

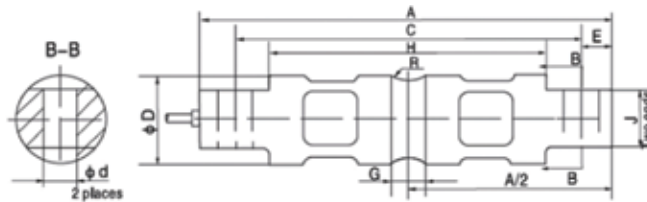


Small capacity cell

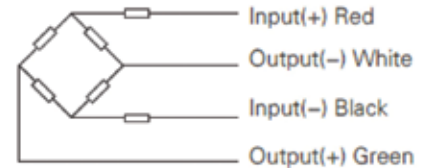


Large capacity cell

Outline Dimension mm (inch)



Dimension Capacity	A	C	H	G	ØD	J	Ød	R	E
5Kib, 10Kib	206.2 (8.12)	174.6 (6.88)	133.1 (5.24)	15.7 (0.62)	43.2 (1.7)	28.4 (1.12)	16.7 (0.66)	R12.7 (0.5)	15.7 (0.62)
15Kib, 20Kib	206.2 (8.12)	174.6 (6.88)	133.1 (5.24)	21.3 (0.84)	49.5 (1.95)	28.4 (1.12)	16.7 (0.66)	R12.7 (0.5)	15.7 (0.62)
30Kib, 75Kib	260.4 (10.25)	215.9 (8.5)	165.1 (6.5)	25.4 (1.0)	76.2 (3.0)	60.2 (2.37)	26.9 (1.06)	R25.4 (1.0)	22.4 (0.88)
90Kib, 100Kib	285.8 (11.25)	241.3 (9.5)	190.2 (7.49)	31.0 (1.22)	88.9 (3.5)	63.5 (2.5)	26.9 (1.06)	R38.1 (1.5)	22.4 (0.88)
150Kib	285.8 (11.25)	241.3 (9.5)	190.2 (7.49)	31.0 (1.22)	99.1 (3.9)	71.1 (2.80)	26.9 (1.06)	R38.1 (1.5)	22.4 (0.88)
200Kib, 250Kib	408.9 (16.1)	330.2 (13.0)	254.0 (10.0)	31.7 (1.25)	136.6 (5.38)	116.8 (4.6)	39.6 (1.56)	R50.8 (2.0)	39.4 (1.55)



- Shielded, 4 conductor cable
- Standard cable length: 30ft
- Shield not connected to element

Interchangeable Products | Revere 9103, Coti CG-5103-SSW, Rice Lake RL7100HE

Order Information

B-TEK Part No.	Capacity	Zemic Part No.
812-100182	5K	B9C-N3-5K-9B
812-100183	10K	B9C-N10-10K-9B
812-100184	20K	B9C-N10-20K-9B
812-100185	30K	B9C-N10-30K-9B
812-100186	40K	B9C-N10-40K-9B
812-100187	50K	B9C-N10-50K-9B
812-100188	60K	B9C-N10-60K-9B
812-100189	75K	B9C-N10-75K-9B
812-100190	90K	B9C-N10-90K-9B
812-100191	100K	B9C-N10-100K-9B
812-100192	150K	B9C-N3-150K-9B
812-100193	200K	B9C-N3-200K-9B
812-100194	250K	B9C-N3-250K-9B

Bold italicized part number denotes not commonly stocked.



ZEMIC H9C Double Ended Shear Beam

DESB Nickel Plated Alloy Steel Load Cell

Specifications

Max No. of Verification Intervals:

10000 Nmax

Min Load Cell Verification Intervals: Class

III/IIIV Vmin

Output Sensitivity: 3.0 ± 0.008 mV/V

Input Resistance: 700 ± 7 ohms

Output Resistance: 703 ± 4 ohms

Insulation Resistance: ≥5000 (50VDC)

Temperature:

Compensated 14°F to 104°F / -10°C to 40°C

Operating -31°F to 158°F / -35°C to 70°C

Excitation, Recommended: 5~12V (VDC)

Excitation, Max: 18V (VDC)

Safe Overload: 150% Full Scale

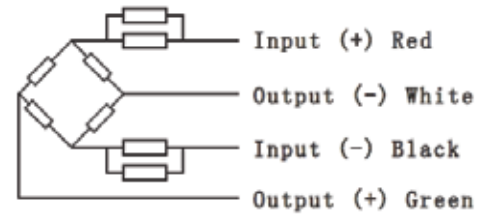
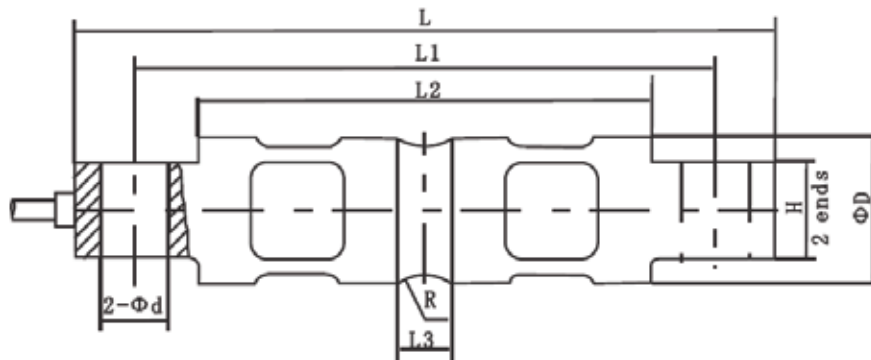
Ultimate Overload: 300% Full Scale

Seal Type: Environmentally sealed - IP67

Cable Length: 30 ft



Outline Dimension mm (inch)



Dimension	L	L1	L2	L3	ΦD	H	Φd	R
Capacity (Kib)								
5-10	206.2 (8.12)	174.6 (6.88)	133.1 (5.24)	15.7 (0.62)	Φ43.2 (1.7)	28.4 (1.12)	Φ16.7 (0.66)	R12.7 (0.5)
20	206.2 (8.12)	174.6 (6.88)	133.1 (5.24)	21.3 (0.84)	Φ49.5 (1.95)	28.4 (1.12)	Φ16.7 (0.66)	R12.7 (0.5)
30-75	260.4 (10.25)	215.9 (8.5)	165.1 (6.5)	25.4 (1.0)	Φ76.2 (3.0)	60.2 (2.37)	Φ26.9 (1.06)	R25.4 (1.0)
100	265.8 (11.25)	241.3 (9.5)	190.2 (7.49)	31.0 (1.22)	Φ88.9 (3.5)	63.5 (2.5)	Φ26.9 (1.06)	R38.1 (1.5)
150	265.8 (11.25)	241.3 (9.5)	190.2 (7.49)	31.0 (1.22)	Φ99.1 (3.9)	71.1 (2.8)	Φ26.9 (1.06)	R38.1 (1.5)
200-250	408.9 (16.1)	330.3 (13.0)	254.0 (10.0)	31.7 (1.25)	Φ136.6 (5.38)	116.8 (4.6)	Φ39.6 (1.56)	R50.8 (2.0)

- Shielded, 4 conductor cable
- Cable diameter: 5k-20k: 0.2in
30k-250k: 0.3in
- Standard cable length: 9m
- Shield not connected to element

Interchangeable Products

VPG 5103, Coti CG-5103, Artech 70210, RL70000, Mettler SLD430

Order Information

B-TEK Part No.	Capacity	Zemic Part No.
812-100278	5K	H9C-N10-5K-9.3B
812-100279	10K	H9C-N10-10K-9.3B
812-100280	20K	H9C-N10-20K-9.3B
812-100277	30K	H9C-N10-30K-9.3B
812-100274	40K	H9C-N10-40K-9.3B
812-100281	50K	H9C-N10-50K-9.3B
812-100282	60K	H9C-N10-60K-9.3B
812-100283	75K	H9C-N10-75K-9.3B
812-100284	100K	H9C-N10-100K-9.3B

Bold italicized part number denotes not commonly stocked.

ZEMIC H9D Double Ended Shear Beam

DESB, Nickle Plated Alloy Steel Load Cell



Specifications

Max No. of Verification Intervals:

5000/10000 Nmax

Min Load Cell Verification Intervals:

Class III/IIIL Vmin

Output Sensitivity: 3.0 ± 0.008 mV/V

Input Resistance: 700 ± 7 ohms

Output Resistance: 703 ± 4 ohms

Insulation Resistance: ≥ 5000 (50VDC)

Temperature:

Compensated 14°F to 104°F / -10°C to 40°C

Operating -31°F to 158°F / -35°C to 70°C

Seal Type: Environmentally sealed - IP67

Excitation, Recommended: 5~12V (DC)

Excitation, Max: 18V (DC)

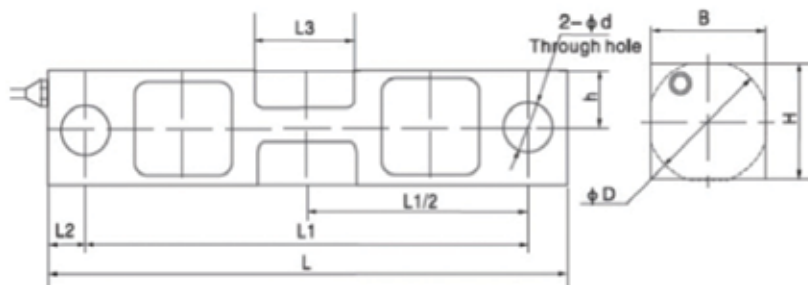
Safe Overload: 150% Full scale

Ultimate Overload: 300% Full scale

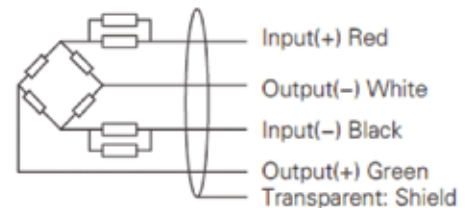
Cable Length: 20 ft



Outline Dimension mm (inch)



Dimension Capacity	L	L1	L2	H	h	B	ØD	Ød
1Klb-5Klb	190.5 (7.5)	158.75 (6.25)	15.9 (0.63)	30.99 (1.22)	16.76 (0.66)	30.99 (1.22)	31.5 (1.24)	12.7 (0.5)
10Klb-35Klb	222.25 (8.75)	190.5 (7.5)	15.9 (0.63)	49.15 (1.94)	24.58 (12.67)	36.45 (1.44)	50.8 (2.0)	20.57 (0.81)
50Klb-75Klb	342.9 (13.5)	292.1 (11.5)	25.4 (1.0)	74.68 (2.94)	37.37 (1.47)	61.98 (2.44)	75.95 (2.99)	33.32 (1.31)



- Shielded, 4 conductor cable
- Cable Diameter: Ø0.2in
- Standard cable length: 20ft
- Shield not connected to element

Interchangeable Products | Revere 5203, Celtron DSR, Sontronics 65016, Coti CG-16, Artech 70510, Rice Lake RL75016, Vishay DSR

Order Information

B-TEK Part No.	Capacity
812-100285	1K
812-100286	1.5K
812-100287	2K
812-100288	2.5K
812-100289	4K
812-100290	5K
812-100291	10K
812-100292	15K
812-100293	20K
812-100294	25K
812-100295	35K
812-100296	50K
812-100297	75K

Bold italicized part number denotes not commonly stocked.



ZEMIC HM9E Double Ended Link

DESB, Nickle Plated Alloy Steel Load Cell

Specifications

Max No. of Verification Intervals:

5000/10000 Nmax

Min Load Cell Verification Intervals:

Class III/IIIL Vmin

Output Sensitivity: 3.0 ± 0.003 mV/V

Input Resistance: 700 ± 7 ohms

Output Resistance: 703 ± 4 ohms

Insulation Resistance: ≥5000 (50VDC)

Temperature:

Compensated 14°F to 104°F / -10°C to 40°C

Operating -31°F to 158°F / -35°C to 70°C

Seal Type: Hermetically welded - IP68

Excitation, Recommended: 5~12V (DC)

Excitation, Max: 18V (DC)

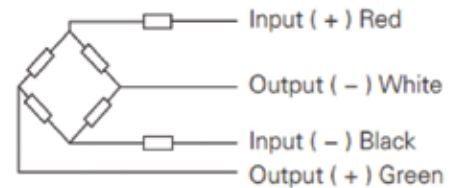
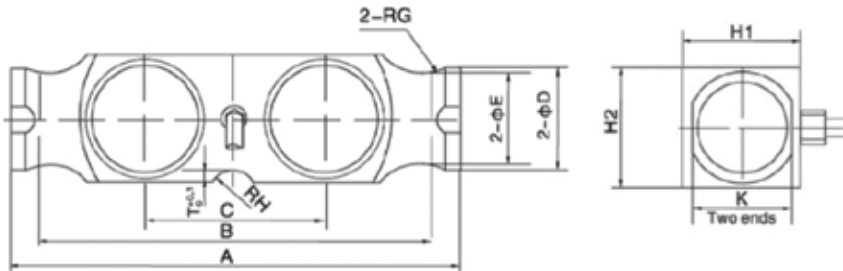
Safe Overload: 150% Full scale

Ultimate Overload: 300% Full scale

Cable Length: 40 ft



Outline Dimension mm (inch)



Dimension Capacity	A	B	C	ØD	E	RG	RH	T	H1	H2	K
50Klb~125Klb	280.5 (10.26)	215.9 (8.5)	101.6 (4.0)	61 (2.40)	52.32 (2.06)	25.4 (1.0)	25.4 (1.0)	7 (0.28)	76 (2.99)	76.2 (3.0)	55.9 (2.2)
200Klb	304.8 (12.0)	254 (10.0)	111.8 (4.40)	70 (2.76)	56.69 (2.23)	38.1 (1.5)	38.1 (1.5)	10 (0.39)	86.1 (3.39)	86.36 (3.4)	63.5 (2.5)

- Shielded, 4 conductor cable
- Cable diameter: 0.31in
- Standard cable length: 40ft
- Shield not connected to the element

Interchangeable Products | Revere 5223, Celtron HED, Sentionics 65040-1127W, Coti CG-5223, Artech 80210, Rice Lake RL75223, Thurman TSC800

Order Information

B-TEK Part No.	Capacity	Zemic Part No.
812-500012	50K	HM9E-N10-50K-12B
812-500013	65K	HM9E-N10-65K-12B
812-500014	100K	HM9E-N10-100K-12B
812-500015	125K	HM9E-N10-125K-12B
812-500016	200K	HM9E-N10-200K-12B

Bold italicized part number denotes not commonly stocked.

ZEMIC H9N Double Ended Link Shear Beam

DESB, Alloy Steel Load Cell



Double Ended Shear Beams

Specifications

Max No. of Verification Intervals:

3000/10000 Nmax

Min Load Cell Verification Intervals:

Class III/IIIL Vmin

Output Sensitivity: 3.0±0.003 mV/V

Input Resistance: 700 ± 7 ohms

Output Resistance: 703 ± 4 ohms

Insulation Resistance: ≥5000 (50VDC)

Temperature:

Compensated 14°F to 104°F / -10°C to 40°C

Operating -31°F to 158°F / -35°C to 70°C

Seal Type: Environmentally sealed - IP67

Excitation, Recommended: 5~12V (DC)

Excitation, Max: 18V (DC)

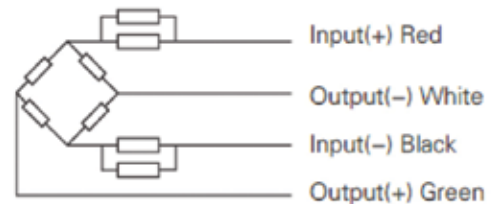
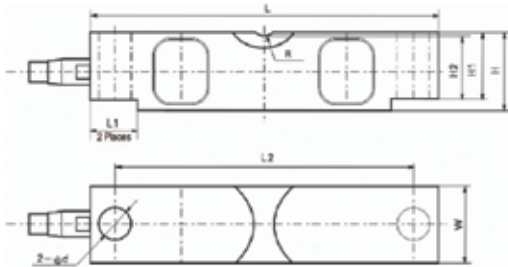
Safe Overload: 150% Full scale

Ultimate Overload: 300% Full scale

Cable Length: 30 ft



Outline Dimension mm (inch)



Dimension Capacity	L	L1	L2	H	H1	H2	Ød	W	R
25Klb	197 (7.75)	35 (1.38)	165 (6.5)	49.3 (1.94)	43.2 (1.7)	41.4 (1.63)	Ø17.3 (0.68)	43 (1.7)	R19.1 (0.75)
40Klb	260.4 (10.25)	49 (1.93)	216 (8.5)	62 (2.44)	53.3 (2.1)	50.8 (2.0)	Ø20.6 (0.81)	49.3 (1.9)	R25.4 (1.0)
50~75Klb	260.4 (10.25)	49 (1.93)	216 (8.5)	74.7 (2.94)	67.3 (2.65)	64.5 (2.54)	Ø26.9 (1.06)	62 (2.44)	R25.4 (1.0)
100~125Klb	387.4 (15.25)	79.5 (3.13)	324 (12.76)	98 (3.88)	87.1 (3.43)	83.8 (3.3)	Ø41.2 (1.62)	73.7 (2.9)	R38.1 (1.5)
150~200Klb	489 (19.25)	127.8 (5.03)	387.4 (15.25)	147.3 (5.8)	130.1 (5.12)	112.8 (4.44)	Ø41.2 (1.62)	96.5 (3.8)	R50.8 (2.0)

- Shielded, 4 conductor cable
- Cable type and length for customer's own application are available on request
- Shield connected to body

Interchangeable Products | Celtron DLB, Sensortronics 65058, Coti CG-58, Rice Lake RL75058, Vishay CLB

Order Information

B-TEK Part No.	Capacity	Zemic Part No.
812-100208	25K	H9N-N10-25K-9B
812-100209	40K	H9N-N10-40K-9B
812-100210	50K	H9N-N10-50K-9B
812-100211	60K	H9N-N10-60K-9B
812-100212	75K	H9N-N10-75K-9B
812-100263	75K	H9N-N10-75K-18B (60' cable length)
812-100264	75K	H9N-N10-75K-18SF-D08 (60' SST braided cable length)
812-100213	100K	H9N-N10-100K-9B
812-100214	125K	H9N-N10-125K-9B
812-100215	150K	H9N-N10-150K-9B
812-100216	200K	H9N-N10-200K-9B

Bold italicized part number denotes not commonly stocked.

Sensortronics 65016 Double Ended Shear Beam



DESB, Nickel Plated Alloy Steel Load Cell

Specifications

Full Scale Output: 3.0 mV/V

Input Resistance: 700 ± 14 ohms

Output Resistance: 703 ± 4 ohms

Material/Finish: Nickel Plated Alloy Steel

Temperature:

Compensated 14°F to 104°F / -10°C to 40°C

Operating 0°F to 150°F / -18°C to 65°C

Safe Overload: 150% Full scale

Rated Excitation: 15V DC (25V max)

Combined Error: 0.03% Full scale

Insulation Resistance: >1000 megohms

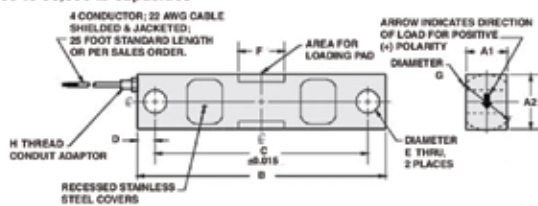
Seal Type: Environmentally sealed - IP67

Cable Length: 25 ft



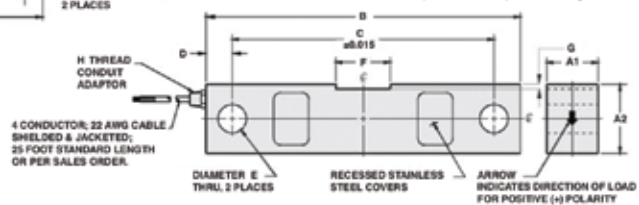
Outline Dimension in inches

1000 to 50,000 lb capacities



Wiring
 + Excitation Red
 - Excitation Black
 + Output Green
 - Output White

75,000 to 100,000 lb capacities



CAPACITY	A1	A2	B	C	D	E	F	G	H
1k-5k	1.25	1.25	7.50	6.25	0.62	0.50	1.22	1.25	1/4-18NPT
10k-25k	1.44	1.94	8.75	7.50	0.62	0.81	1.62	1.99	1/4-18NPT
35k	1.50	2.50	8.75	7.50	0.62	0.81	1.62	2.50	1/4-18NPT
50k	2.44	2.94	13.50	11.50	1.00	1.31	3.25	2.99	1/2-14NPT
75k	2.44	2.94	13.50	11.50	1.00	1.31	3.12	0.18	1/2-14NPT

Interchangeable Products | Rice Lake RL75016, Celtron DSR, Revere 5203

Order Information

B-TEK Part No.	Capacity	Sensortronics Part No.
812-100252	1K	65016-001E-NC-00F
812-100253	1.5K	65016-01E5-NC-00F
812-100254	2.5K	65016-02E5-NC-01F
812-100255	5K	65016-005E-NC-00F
812-100256	10K	65016-010E-NC-00F
812-100257	15K	65016-015E-NC-00F
812-100258	20K	65016-020E-NC-00F
812-100259	25K	65016-025E-NC-00F
812-100260	35K	65016-035E-NC-00F
812-100261	50K	65016-050E-NC-00F
812-100262	75K	65016-075E-NC-00F

Sensortronics 65016-0104W Double Ended Shear Beam



DESB, Stainless Steel Welded Load Cell

Specifications

Full Scale Output: 3.0 mV/V

Input Resistance: 700 ± 14 ohms

Output Resistance: 703 ± 4 ohms

Material/Finish: Stainless Steel

Temperature:

Compensated 14°F to 104°F / -10°C to 40°C

Operating 0°F to 150°F / -18°C to 65°C

Safe Overload: 150% Full scale

Rated Excitation: 10V DC (25V max)

Combined Error: 0.03% Full scale

Insulation Resistance: >1000 megohms

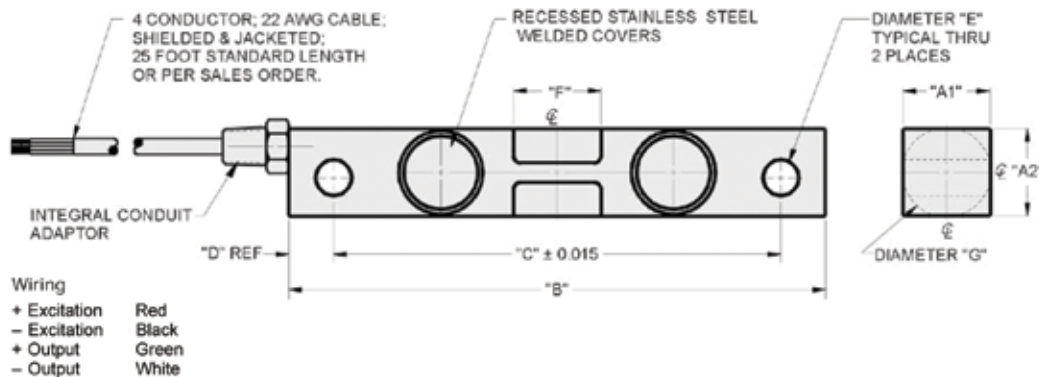
Seal Type: Welded seal - IP67

Cable Length: 25 ft



Double Ended Shear Beam

Outline Dimension in inches



CAPACITY	A1	A2	B	C	D	E	F	G	THREAD
1k-5k	1.22	1.22	7.50	6.25	0.62	0.50	1.12	1.25	1/4-18NPT
10k-25k	1.44	1.94	8.75	7.50	0.62	0.81	1.62	1.99	1/4-18NPT
35k	1.44	2.44	8.75	7.50	0.62	0.81	1.62	2.50	1/4-18NPT
50k-75k	2.44	2.94	13.50	11.50	1.00	1.31	3.25	2.99	1/2-14NPT

Interchangeable Products | Revere 5203 / 9203, RLWS RL75016 SS, Rice Lake RL75016W, Celtron DSR-HSS

Order Information

B-TEK Part No.	Capacity	Sensortronics Part No.
812-100029	1K	65016-001E-NC-01F-0104W
812-100018	1.5K	65016-01E5-NC-01F-0104W
812-100022	2K	65016-002E-NC-01F-0104W
812-100019	2.5K	65016-02E5-NC-02F-0104W
812-100026	5K	65016-005E-NC-01F-0104W
812-500004	10K	65016-010E-NC-01F-0104W
812-500005	15K	65016-015E-NC-01F-0104W
812-100020	20K	65016-020E-NC-01F-0104W
812-100030	25K	65016-025E-NC-01F-0104W
812-100031	50K	65016-050E-NC-01F-0104W
812-100076	75K	65016-075E-NC-01F-0104W



Sensortronics 65058A Double Ended

DESB, Alloy Steel Load Cell

Specifications

Full Scale Output: 3.0 mV/V

Input Resistance: 700 ohms

Output Resistance: 700 ohms

Material/Finish: Alloy Steel

Temperature:

Compensated 14°F to 104°F / -10°C to 40°C

Operating 0°F to 150°F / -18°C to 65°C

Safe Overload: 150% Full scale

Rated Excitation: 10V DC (25V max)

Combined Error: 0.03% Full scale

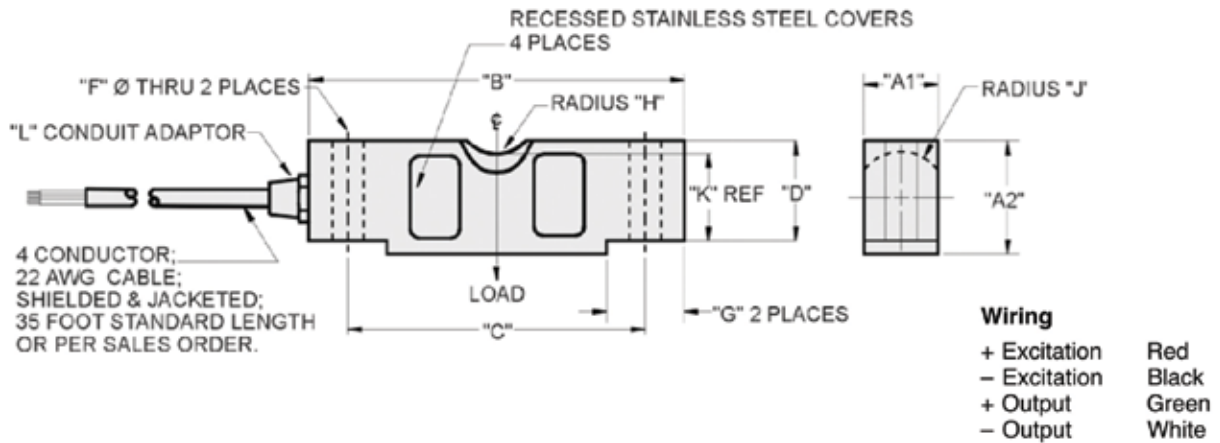
Insulation Resistance: >1000 megohms

Seal Type: Environmentally sealed - IP67

Cable Length: 35 ft



Outline Dimension in inches



CAPACITY	A1	A2	B	C	D	F	G	H	J	K	L
10k-25k	1.69	1.94	7.75	6.50	1.70	0.68	1.38	0.75	0.90	1.63	1/4 - 18 NPT
40k-50k SE	1.94	2.44	10.25	8.50	2.10	0.81	1.93	1.00	1.12	2.00	1/4 - 18 NPT
50k-75k	2.44	2.94	10.25	8.50	2.65	1.06	1.93	1.00	1.37	2.54	1/2 - 14 NPT
100k-125k	2.90	3.86	15.25	12.75	3.43	1.62	3.13	1.50	1.80	3.30	1/2 - 14 NPT

Interchangeable Products | Rice Lake RL75058, Celtron CLB, Zemic H9N

Order Information

B-TEK Part No.	Capacity	Sensortronics Part No.
812-100220	20K	65058-020E-B1-00X-1000
812-100221	25K	65058-025E-B1-00X-1000
812-100222	40K	65058-040E-B1-03X-1000
812-100223	50K	65058-050E-A1-04X-1127 SE
812-100035	50K	65058-050E-A1-02X-1000 LE
812-100224	60K	65058-060E-A1-07X-1000
812-100225	75K	65058-075E-A1-04X-1000
812-100226	100K	65058-100E-A1-00X-1000
812-100227	125K	65058-125E-A1-00X-1000

Bold italicized part number denotes not commonly stocked.

Sensortronics 65058S-1000W Double Ended

DESB, Stainless Steel Welded Load Cell



Specifications

Full Scale Output: 3.0 mV/V

Input Resistance: 686 - 714 ohms

Output Resistance: 699 - 707 ohms

Material/Finish: Stainless Steel

Temperature:

Compensated 14°F to 104°F / -10°C to 40°C

Operating 0°F to 150°F / -18°C to 65°C

Safe Overload: 150% Full scale

Rated Excitation: 10V DC (25V max)

Combined Error: 0.03% Full scale

Insulation Resistance: >1000 megohms

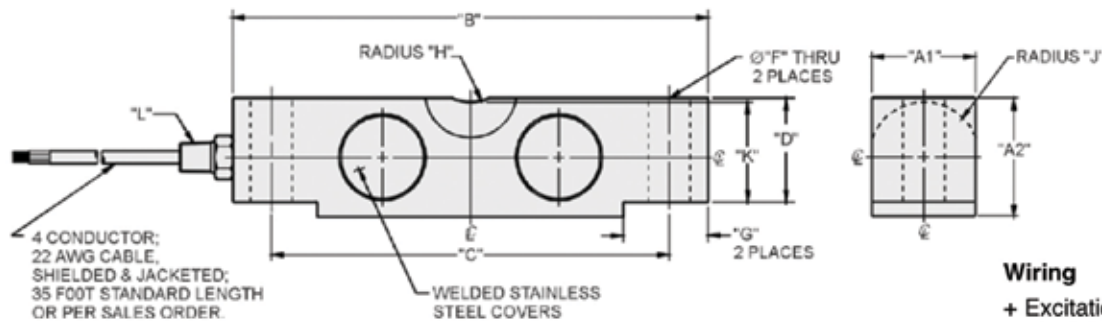
Seal Type: Welded seal - IP67

Cable Length: 35 ft



Double Ended Shear Beams

Outline Dimension in inches



Wiring

+ Excitation	Red
- Excitation	Black
+ Output	Green
- Output	White

CAPACITY	A1	A2	B	C	D	F	G	H	J	K	L
10k-25k	1.69	1.94	7.75	6.50	1.70	0.68	1.38	0.75	0.90	1.63	1/4-18 NPT
40k	1.94	2.44	10.25	8.50	2.10	0.81	1.93	1.00	1.12	2.00	1/4-18 NPT
50k-75k	2.44	2.94	10.25	8.50	2.65	1.06	1.93	1.00	1.37	2.54	1/2-14 NPT
100k	2.44	3.44	10.25	8.50	2.65	1.06	1.93	1.00	1.37	2.54	1/2-14 NPT

Interchangeable Products | Rice Lake RL75060S

Order Information

B-TEK Part No.	Capacity	Sensortronics Part No.
812-100228	20K	65058-020E-B1-03X-1000W
812-100229	25K	65058-025E-A1-06X-1000W
812-100230	40K	65058-040E-B1-00F-1000W
812-100231	50K	65058-050E-A1-08X-1000W
812-100232	60K	65058-060E-A1-02X-1000W
812-100233	75K	65058-075E-A1-11X-1000W

Sensortronics 65040A Double Ended

DESB, Alloy Steel Load Cell



Specifications

NTEP: 1:10,000

Full Scale Output: 3.0 mV/V

Input Resistance: 686 ohms

Output Resistance: 700 ohms

Material/Finish: Alloy Steel

Temperature:

Compensated 14°F to 104°F / -10°C to 40°C

Operating 0°F to 150°F / -18°C to 65°C

Safe Overload: 150% Full scale

Rated Excitation: 10V DC (15V max)

Nonlinearity: 0.03% Full scale

Hysteresis: 0.02% Full scale

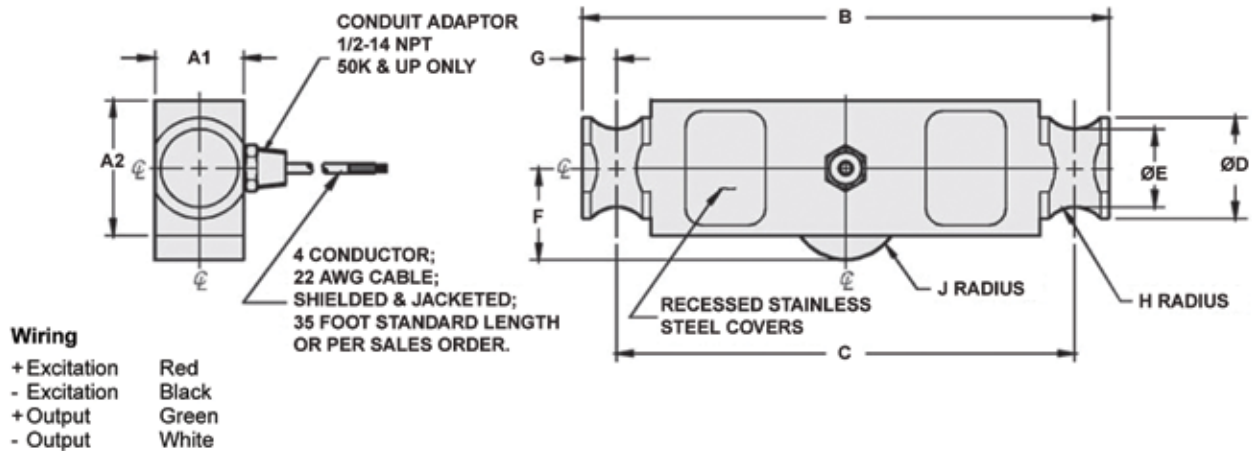
Insulation Resistance: >1000 megohms

Seal Type: Environmentally sealed - IP67

Cable Length: 35 ft



Outline Dimension in inches



CAPACITY	A1	A2	B	C	D	E	F	G	H	J
25K - 40K	1.94	2.44	8.25	7.25	2.0	1.63	1.75	0.50	0.50	0.50
50K - 75K	1.94	2.94	11.50	10.00	2.2	1.70	2.00	0.75	0.75	1.00
100K - 125K	2.90	3.86	14.50	12.50	3.2	2.44	2.75	1.00	1.00	1.50

Interchangeable Products | Rice Lake RL75040, Thurman TSC 840, Celtron DLB, Coti CG-BE40

Order Information

B-TEK Part No.	Capacity	Sensortronics Part No.
812-100105	25K	65040-025E-B1-00F-1000
812-100033	40K	65040-040E-B1-00F-1000
812-100251	50K SE	65040-050E-B1-06F-1141
812-100101	50K LE	65040-050E-B1-00F-1000
812-100034	60K	65040-060E-B1-00F-1000
812-100235	75K	65040-075E-B1-00F-1000
812-100062	100K	65040A100K-1000
812-100236	125K	65040-125E-B1-00F-1000

Bold italicized part number denotes not commonly stocked.

Sensortronics 65040S-1000W Double Ended



DESB, Stainless Steel Welded Load Cell

Specifications

Full Scale Output: 3.0 mV/V

Input Resistance: 686 - 714 ohms

Output Resistance: 699 - 707 ohms

Material/Finish: Stainless Steel

Temperature:

Compensated 14°F to 104°F / -10°C to 40°C

Operating 0°F to 150°F / -18°C to 65°C

Safe Overload: 150% Full scale

Rated Excitation: 10V DC (15V max)

Nonlinearity: 0.03% Full scale

Hysteresis: 0.02% Full scale

Insulation Resistance: ≥5000 megohms

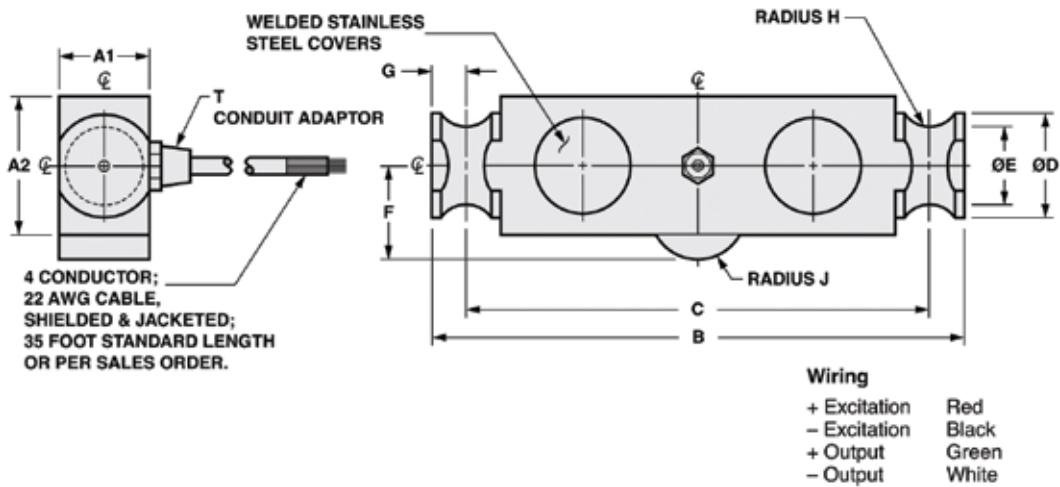
Seal Type: Welded seal - IP68

Cable Length: 35 ft



Double Ended Shear Beams

Outline Dimension in inches



CAPACITY	A1	A2	B	C	D	E	F	G	H	J	T-THREAD
25k-40k	1.94	2.44	8.25	7.25	2.0	1.63	1.75	0.50	0.50	0.50	1/4-18NPT
50k-75k	1.94	2.94	11.50	10.00	2.2	1.70	2.00	0.75	0.75	1.00	1/2-14NPT

Order Information

B-TEK Part No.	Capacity	Sensortronics Part No.
812-100237	25K	65040-025E-B1-02F-1000W
812-100238	40K	65040-040E-B1-11F-1000W
812-100239	50K	65040-050E-B1-11F-1000W
812-100240	60K	65040-060E-B1-05F-1000W
812-100241	75K	65040-075E-B1-03F-1000W



Revere 5223 Double Ended Link Shear Beam

DESB, Alloy Steel Load Cell

Specifications

Full Scale Output: 3.0 mV/V

Input Resistance: 700 ± 7 ohms

Output Resistance: 700 ± 7 ohms

Material/Finish: Nickel Plated Alloy Steel

Temperature:

Compensated 14°F to 104°F / -10°C to 40°C

Operating -40°F to 176°F / -40°C to 80°C

Safe Overload: 150% Full scale

Rated Excitation: 10V DC (15V max)

Combined Error: 0.02% Full scale

Insulation Resistance >5000 megohms

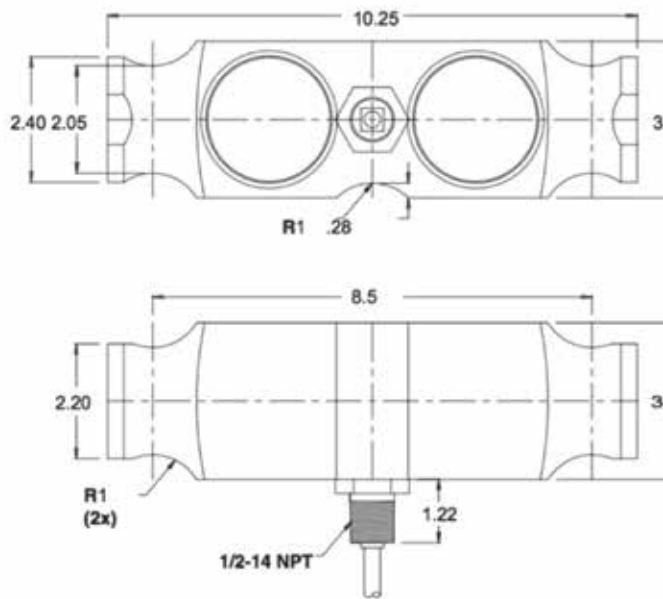
Seal Type: Welded covers,
environmentally sealed - IP67

Cable Protection: Metal braided sheath
(B-TEK Standard)

Cable Length: 40 ft



Outline Dimension in inches



Cable specifications:

Cable length: 40 ft
 Excitation + Red
 Excitation - Black
 Output + Green
 Output - White
 Shield Transparent

Cable screen is not connected to load cell body. Performance may be affected if load cell cables are shortened.

Interchangeable Products | Rice Lake RL75223, Thurman TSC800, Zemic HM9E, Artech 80210

Order Information

B-TEK Part No.	Capacity	VPN Part No.
812-500002	50K	05223-050E-B1-03F
812-500003	65K	05223-065E-B1-03F
812-500001	100K	05223-100E-B1-03F

Revere 9223 Double Ended Link Shear Beam

DESB, Stainless Steel Load Cell



Specifications

Full Scale Output: 3.0 mV/V

Input Resistance: 700 ± 7 ohms

Output Resistance: 700 ± 7 ohms

Material/Finish: Stainless Steel

Temperature:

Compensated 14°F to 104°F / -10°C to 40°C

Operating -65°F to 200°F / -93°C to 53°C

Safe Overload: 150% Full scale

Rated Excitation: 10V DC (15V max)

Combined Error: 0.02% Full scale

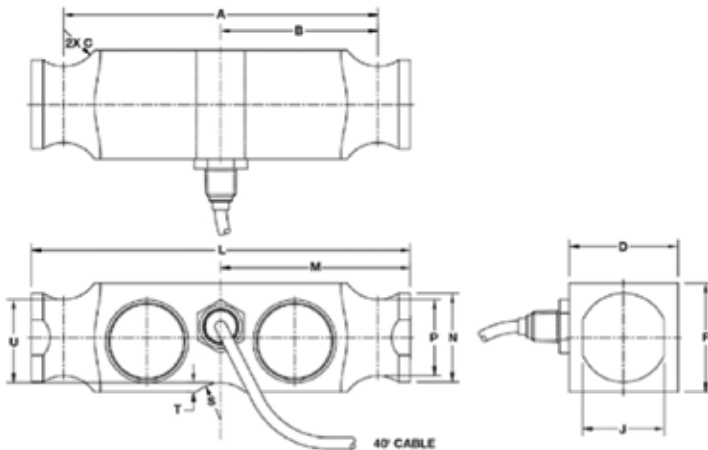
Insulation Resistance >5000 megohms

Seal Type: Hermetically sealed - IP68

Cable Length: 40 ft



Outline Dimension in inches



Cable specifications:

Cable length: 40 feet

- + Excitation Red
- Excitation Black
- + Output Green
- Output White
- Shield Transparent

Cable screen is not connected to load cell body. Performance may be affected if load cell cables are shortened.

CAPACITY (lbs)	50k, 65k, 100k
A	8.50
B	4.25
C RAD	1.00
D	2.94
F	2.94
J	2.20
L	10.25
M	5.13
N	2.40
P	2.06
S RAD	1.00
T	0.25
U	2.25

Order Information

B-TEK Part No.	Capacity	VPN Part No.
812-100156	50K	9223-B10-50K-40F1R
812-100157	65K	9223-B10-65K-40F1R
812-100051	100K	9223-B10-100K40F1R



Revere 5103 Double Ended Shear Beam

DESB, Alloy Steel Load Cell

Specifications

Full Scale Output: 3.0 mV/V

Input Resistance: 700 ± 7 ohms

Output Resistance: 700 ± 7 ohms

Material/Finish: Nickel Plated Alloy Steel

Temperature:

Compensated 14°F to 104°F / -10°C to 40°C

Operating -40°F to 176°F / -40°C to 80°C

Safe Overload: 150% Full scale

Rated Excitation: 10V DC (15V max)

Combined Error: 0.025% Full scale

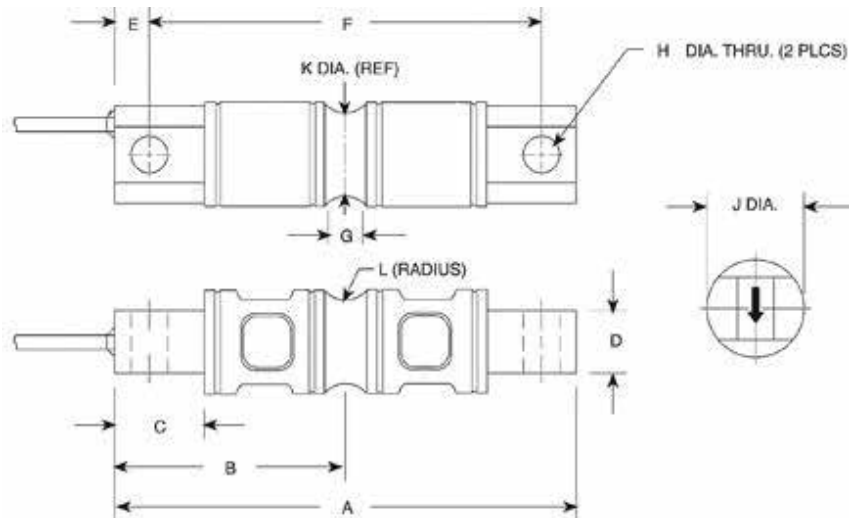
Insulation Resistance ≥5000 megohms

Seal Type: Environmentally sealed - IP67

Cable Length: 5K-20K 20 ft, 30K-75K 30 ft



Outline Dimension in inches



Capacity	A	B	C	D	E	F	G	H	J	K	L
5000-10,000	8.12	4.06	1.44	1.12	.62	6.87	.62	.65	1.70	1.48	.50
20,000	8.12	4.06	1.44	1.12	.62	6.87	.84	.65	1.95	1.48	.50
30,000-75,000	10.25	5.12	1.88	2.37	.88	8.50	1.00	1.06	3.00	2.73	1.00

Interchangeable Products | Rice Lake 70000, Coti CG-5103

Order Information

B-TEK Part No.	Capacity	VPN Part No.
812-100006	5K	05103-005E-B1-02X
812-100002	10K	05103-010E-B1-01X
812-100003	20K	05103-020E-B1-03X
812-100004	30K	05103-030E-B1-01X
812-100005	40K	05103-040E-B1-02X
812-100059	50K	05103-040E-B1-02X
812-100102	60K	05103-060E-B1-01X
812-100217	75K	05103-075E-B1-01X
812-100001	100K	05103-100E-B1-02X

Revere 9103 Double Ended Shear Beam

DESB, Stainless Steel Load Cell



Specifications

Full Scale Output: 3.0 mV/V

Input Resistance: 880 ± 80 ohms

Output Resistance: 700 ± 7 ohms

Material/Finish: Stainless Steel

Temperature:

Compensated 14°F to 104°F / -10°C to 40°C

Operating -40°F to 176°F / -40°C to 80°C

Safe Overload: 150% Full scale

Rated Excitation: 10V DC (15V max)

Combined Error: 0.03% Full scale

Insulation Resistance ≥5000 megohms

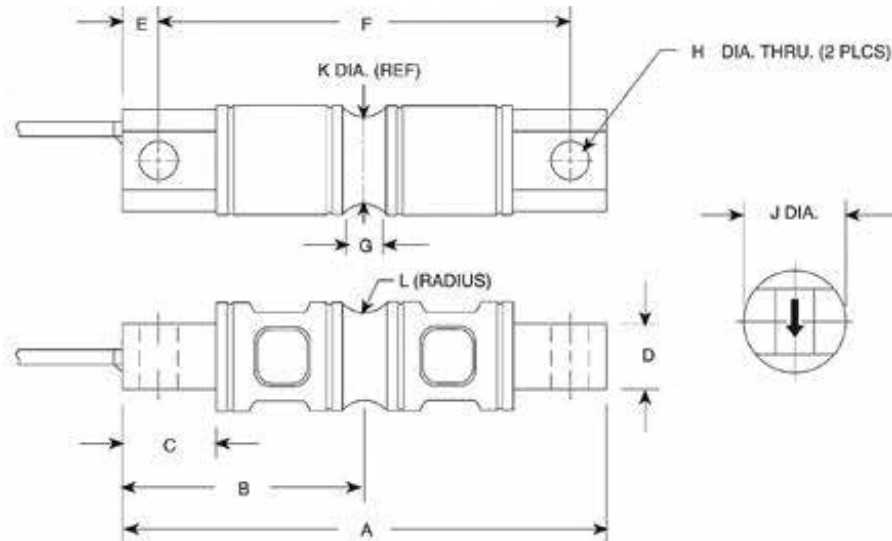
Seal Type: Environmentally sealed - IP67

Cable Length: 10K - 20K 20 ft, 30K+ 30 ft



Double Ended Shear Beam

Outline Dimension in inches



Capacity	A	B	C	D	E	F	G	H	J	K	L
5000-10,000	8.12	4.06	1.44	1.12	.62	6.88	.62	.66	1.70	1.48	.50
20,000	8.12	4.06	1.44	1.12	.62	6.88	.84	.66	1.95	1.48	.50
30,000-60,000	10.25	5.12	1.88	2.37	.88	8.50	1.00	1.06	3.00	2.73	1.00
100,000	11.25	5.62	1.88	2.50	.88	9.50	1.00	1.06	3.50	3.24	1.50

Interchangeable Products | Rice Lake RL70000SS, Rice Lake RL71000HE, Zemic B9C

Order Information

B-TEK Part No.	Capacity	VPN Part No.
812-100037	10K	09103-010E-B1-01F
812-100038	20K	09103-020E-B1-01F
812-100080	30K	09103-030E-B1-01F
812-100218	40K	09103-040E-B1-01F
812-100081	50K	09103-050E-B1-01F
812-100219	60K	09103-060E-B1-01F
812-100169	100K	09103-100E-B1-04F

Bold italicized part number denotes not commonly stocked.



Coti CG-16 SSW Double Ended Shear Beam

DESB, Stainless Steel Welded Load Cell

Specifications

Rated Output: 3.00 mV/V

Safe Overload: 150% Full Scale

Excitation Voltage: 10-20 V AC/DC

Input Resistance: 700 ± 10 Ohms

Output Resistance: 700 ± 5 Ohms

Non-linearity: ± 0.03% Full Scale

Hysteresis: ± 0.02% Full Scale

Repeatability: ± 0.01% Full Scale

Creep: ± 0.02% Full Scale

Temperature:

Compensated 14°F to 104°F / -10°C to 40°C

Operating -4°F to 140°F / -20°C to 60°C

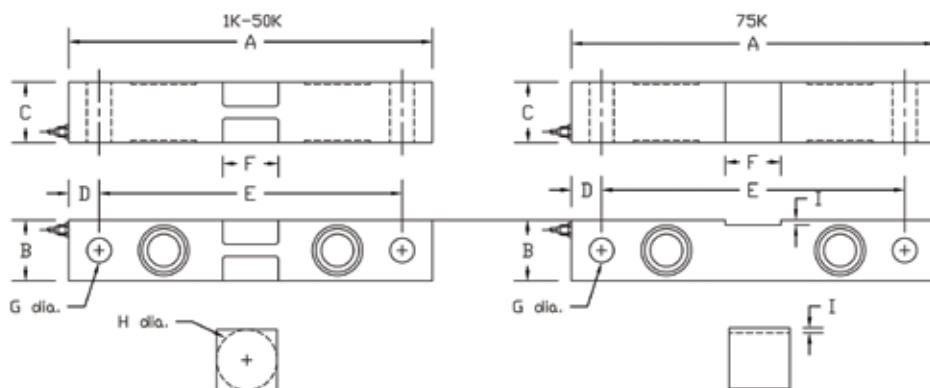
Insulation Resistance: >5000 megohms

Seal Type: Welded seal - IP67

Cable Length: 4 conductor, 50 ft



Outline Dimension in inches



Load Cell Wiring:
 Green: +EXC
 Black: -EXC
 White: +SIG
 Red: -SIG
 Braided/Yellow: Shield

Capacity	A	B	C	D	E	F	G	H	I
1K-5K	7.50	1.25	1.25	0.62	6.25	1.15	0.50	1.25	-
10K-25K	8.75	1.94	1.44	0.62	7.50	2.00	0.81	2.00	-
35K	8.75	2.50	1.50	0.62	7.50	2.00	0.81	2.50	-
50K	13.50	2.94	2.44	1.00	11.50	3.25	1.31	3.00	-
75K	13.50	2.94	2.44	1.00	11.50	3.25	1.31	-	0.17

Interchangeable Products | Celtron DSR HSS, Revere 9203, Rice Lake RL75016SS, Rice Lake RL 75016WHE, Sensortronics 65016W, Sensortronics 65016WH

Order Information

B-TEK Part No.	Capacity	Coti Part No.
812-100170	1K	CG-16-SSW-1K w/Weld Cover
812-100171	1.5K	CG-16-SSW-1.5K w/Weld Cover
812-100172	2K	CG-16-SSW-2K w/Weld Cover
812-100132	2.5K	CG-16-SSW-2.5K w/Weld Cover
812-100174	5K	CG-16-SSW-5K w/Weld Cover
812-100175	10K	CG-16-SSW-10K w/Weld Cover
812-100176	15K	CG-16-SSW-15K w/Weld Cover
812-100177	20K	CG-16-SSW-20K w/Weld Cover
812-100178	25K	CG-16-SSW-25K w/Weld Cover
812-100180	50K	CG-16-SSW-50K w/Weld Cover
812-100181	75K	CG-16-SSW-75K w/Weld Cover

Bold italicized part number denotes not commonly stocked.

Coti CG-16 Double Ended Shear Beam



DESB, Alloy Steel Load Cell

Specifications

Rated Output: 3.00 mV/V

Safe Overload: 150% Full scale

Excitation Voltage: 10-20 V AC/DC

Input Resistance: 700 ± 10 ohms

Output Resistance: 700 ± 5 ohms

Non-linearity: ± 0.03% Full scale

Hysteresis: ± 0.02% Full scale

Repeatability: ± 0.01% Full scale

Creep: ± 0.02% Full scale

Temperature:

Compensated 14°F to 104°F / -10°C to 40°C

Operating 4°F to 140°F / -20°C to 60°C

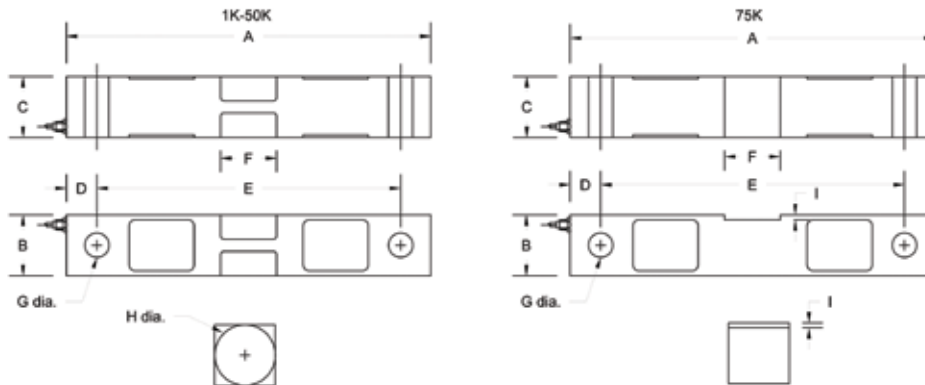
Insulation Resistance: >5000 megohms

Seal Type: Environmentally sealed - IP67

Cable Length: 4 conductor, 50 ft



Outline Dimension in inches



Load Cell Wiring:

Green: +EXC

Black: -EXC

White: +SIG

Red: -SIG

Braided/Yellow: Shield

RATED CAPACITY	DIMENSIONS									
	A	B	C	D	E	F	G	H	I	
1K-5K	7.50	1.25	1.25	0.62	6.25	1.15	0.50	1.25	-	
10K-25K	8.75	1.94	1.44	0.62	7.50	2.00	0.81	2.00	-	
35K	8.75	2.50	1.50	0.62	7.50	2.00	0.81	2.50	-	
50K	13.50	2.94	2.44	1.00	11.50	3.25	1.31	3.00	-	
75K	13.50	2.94	2.44	1.00	11.50	3.25	1.31	-	0.17	
100K-125K	18.50	3.94	2.94	1.75	15.00	3.25	1.63	-	0.25	

Interchangeable Products | Artech 70510, Celtron DSR, Revere 5203, Rice Lake RL75016, Sensortronics 65016, Totalcomp GDE16, Totalcomp TDE16, Transcell DBS, Zemic H9D

Order Information

B-TEK Part No.	Capacity	Coti Part No.
812-100118	1K	CG-16-1000 LB
812-100120	2K	CG-16-2000 LB
812-100121	2.5K	CG-16-2500 LB
812-100122	5K	CG-16-5000 LB
812-100123	10K	CG-16-10000 LB
812-100125	15K	CG-16-15000 LB
812-100126	20K	CG-16-20000 LB
812-100127	25K	CG-16-25000 LB
812-100129	50K	CG-16-50000 LB
812-100130	75K	CG-16-75000 LB
812-100131	100K	CG-16-100000 LB
812-100133	125K	CG-16-125000 LB



Coti CG-5103 Double Ended Shear Beam

DESB, Alloy Steel Load Cell

Specifications

Rated Output: 3.00 mV/V

Safe Overload: 150% Full scale

Excitation Voltage: 10-20 V AC/DC

Input Resistance: 700 ± 10 ohms

Output Resistance: 700 ± 5 ohms

Non-linearity: ± 0.03% Full scale

Hysteresis: ± 0.02% Full scale

Repeatability: ± 0.01% Full scale

Creep: ± 0.02% Full scale

Temperature:

Compensated 14°F to 104°F / -10°C to 40°C

Operating 4°F to 140°F / -20°C to 60°C

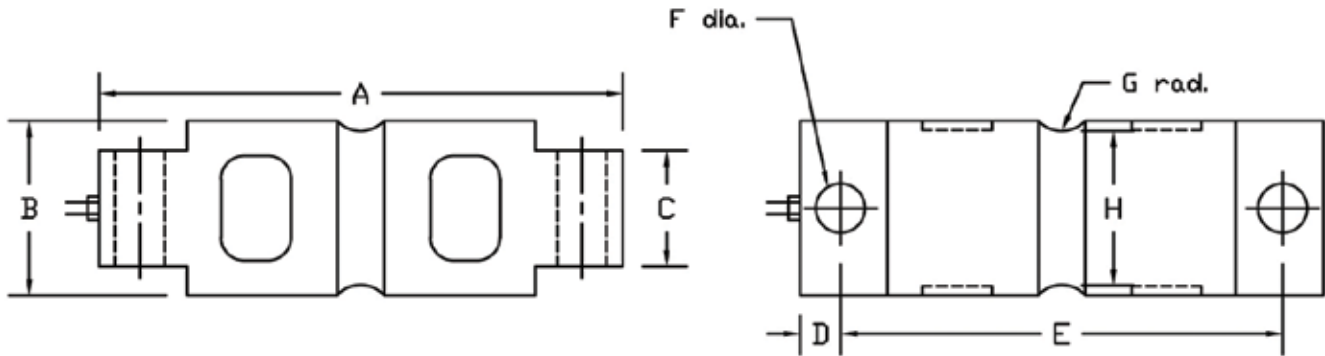
Insulation Resistance: >5000 megohms

Seal Type: Environmentally sealed - IP67

Cable Length: 4 conductor, 50 ft sst braided shield



Outline Dimension in inches



RATED CAPACITY	DIMENSIONS										
	A	B	C	D	E	F	G	H			
5K-10K	8.12	1.70	1.12	0.62	6.88	0.66	0.50	1.48			
20K	8.12	1.95	1.12	0.62	6.88	0.66	0.50	1.48			
30K-60K	10.25	3.00	2.37	0.88	8.50	1.06	1.00	2.73			

Load Cell Wiring: Green: +EXC Black: -EXC White: +SIG Red: -SIG Braided/Yellow: Shield

Interchangeable Products | Artech 70210, Celtron CSB, Revere 5103, Rice Lake RL70000, Sensortronics 60058, Totalcomp GDE03, Totalcomp TDE03, Zemic H9C

Order Information

B-TEK Part No.	Capacity	Coti Part No.
812-100134	5K	CG-5103-5K
812-100135	10K	CG-5103-10K
812-100136	20K	CG-5103-20K
812-100137	30K	CG-5103-30K
812-100138	40K	CG-5103-40K
812-100244	50K	CG-5103-50K
812-100140	60K	CG-5103-60K

Coti CG-5103 SSW Double Ended Shear Beam

DESB, Stainless Steel Welded Load Cell



Double Ended Shear Beam

Specifications

Rated Output: 3.00 mV/V

Safe Overload: 150% Full scale

Excitation Voltage: 10-20 V AC/DC

Input Resistance: 700 ± 10 ohms

Output Resistance: 700 ± 5 ohms

Non-linearity: ± 0.03% Full scale

Hysteresis: ± 0.02% Full scale

Repeatability: ± 0.01% Full scale

Creep: ± 0.02% Full scale

Temperature:

Compensated 14°F to 104°F / -10°C to 40°C

Operating 4°F to 140°F / -20°C to 60°C

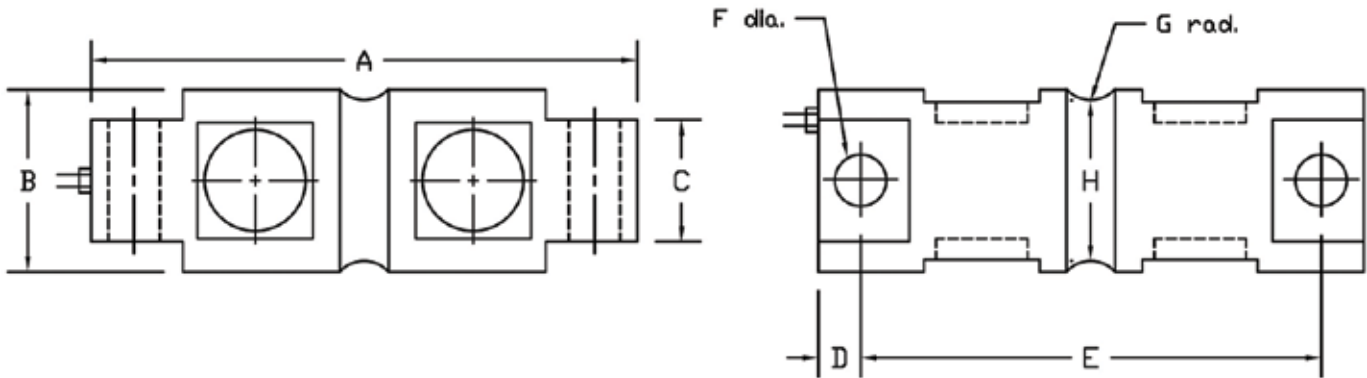
Insulation Resistance: >5000 megohms

Seal Type: Welded seal - IP67

Cable Length: 4 conductor, 50 ft braided shield



Outline Dimension in inches



RATED CAPACITY	DIMENSIONS										
	A	B	C	D	E	F	G	H			
5K-10K	8.12	1.70	1.12	0.62	6.88	0.66	0.50	1.48			
20K	8.12	1.95	1.12	0.62	6.88	0.66	0.50	1.48			
30K-60K	10.25	3.00	2.37	0.88	8.50	1.06	1.00	2.73			

Load Cell Wiring: Green: +EXC Black: -EXC White: +SIG Red: -SIG Braided/Yellow: Shield

Interchangeable Products | Artech SS70210, Revere 9103, Rice Lake RL70000 SS, Rice Lake RL71000 HE

Order Information

B-TEK Part No.	Capacity	Coti Part No.
812-100150	10K	CG-5103-SSW-10K w/Weld Cover
812-100151	20K	CG-5103-SSW-20K w/Weld Cover
812-100246	30K	CG-5103-SSW-30K w/Weld Cover
812-100247	40K	CG-5103-SSW-40K w/Weld Cover
812-100248	50K	CG-5103-SSW-50K w/Weld Cover
812-100249	60K	CG-5103-SSW-60K w/Weld Cover

Coti CG-BE40 Double Ended Shear Beam



DESB, Alloy Steel Load Cell

Specifications

Rated Output: 3.00 mV/V

Safe Overload: 150% Full scale

Excitation Voltage: 10-20 V AC/DC

Input Resistance: 700 ± 10 ohms

Output Resistance: 700 ± 5 ohms

Non-linearity: ± 0.03% Full scale

Hysteresis: ± 0.02% Full scale

Repeatability: ± 0.01% Full scale

Creep: ± 0.02% Full scale

Temperature:

Compensated 14°F to 104°F / -10°C to 40°C

Operating 4°F to 140°F / -20°C to 60°C

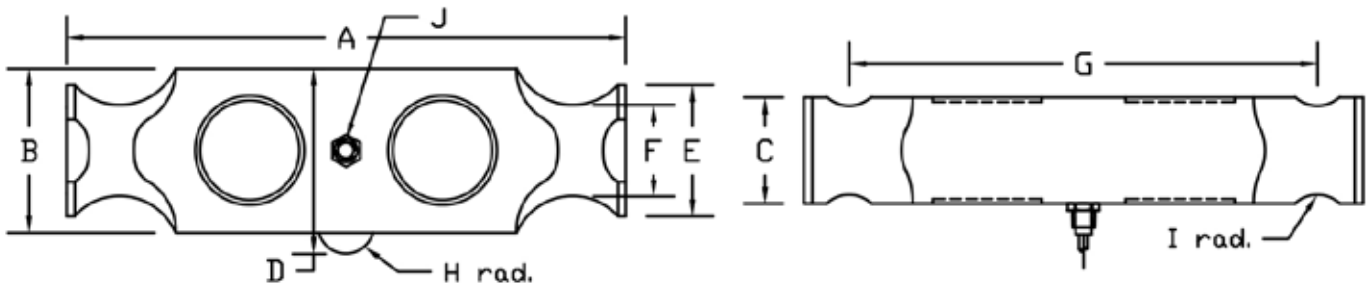
Insulation Resistance: >5000 megohms

Seal Type: Environmentally sealed - IP67

Cable Length: 4 conductor, 50 ft braided shield



Outline Dimension in inches



RATED CAPACITY	DIMENSIONS										
	A	B	C	D	E	F	G	H	I	J	
25K-75KSE	8.25	2.44	1.94	2.97	2.00	1.63	7.25	0.50	0.50	1/4-18NPT	
50K-75K	11.50	2.94	1.94	3.47	2.20	1.70	10.00	1.00	0.75	1/2-14NPT	

Load Cell Wiring: Green: +EXC Black: -EXC White: +SIG Red: -SIG Braided/Yellow: Shield

Interchangeable Products | Sensortronics 65040A, Rice Lake RL75040A, Celtron DLB, Thurman TSC840, Artech 80310

Order Information

B-TEK Part No.	Capacity	Coti Part No.
812-100276	25K	CG-BE40-25K
812-500017	50K SE	CG-BE40-50K-SE
812-100250	60K	CG-BE40-60K-LE
812-100299	60K SE	

Coti CG-SLS Double Ended Shear Beam



DESB, Alloy Load Cell

Specifications

Rated Output: 2.00 mV/V

Safe Overload: 150% Full scale

Excitation Voltage: 10-20 V AC/DC

Input Resistance: 700 ± 10 ohms

Output Resistance: 700 ± 5 ohms

Non-linearity: ± 0.03% Full scale

Hysteresis: ± 0.02% Full scale

Repeatability: ± 0.01% Full scale

Creep: ± 0.02% Full scale

Temperature:

Compensated 14°F to 104°F / -10°C to 40°C

Operating -4°F to 140°F / -20°C to 80°C

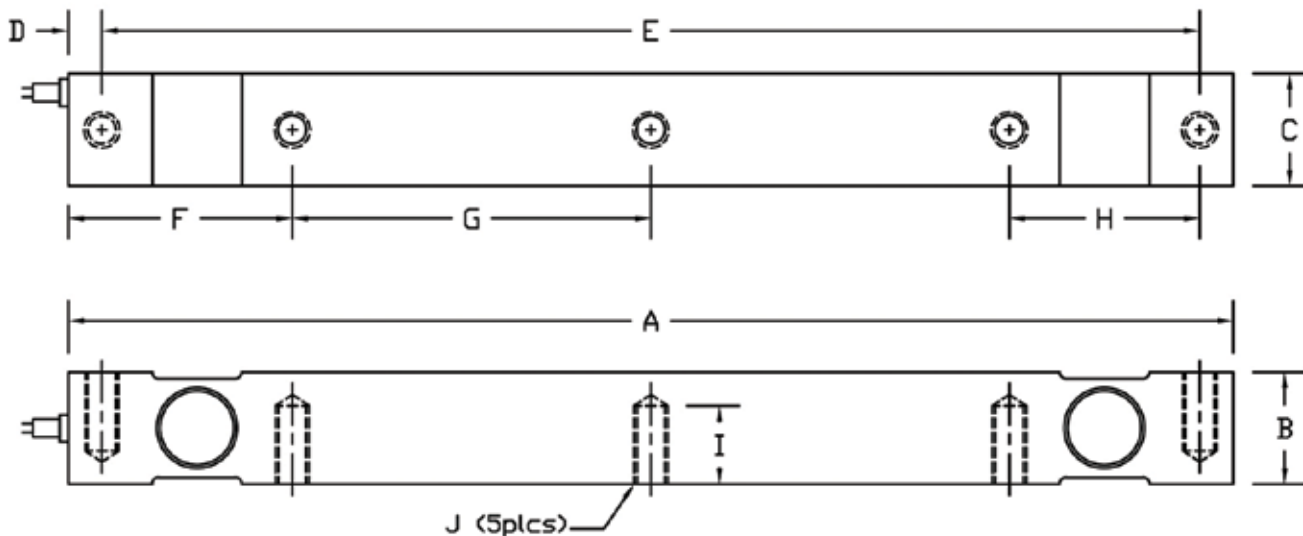
Insulation Resistance: >5000 megohms

Seal Type: Environmentally sealed - IP67

Cable Length: 4 conductor, 30 ft braided shield



Outline Dimension in inches



RATED CAPACITY	DIMENSIONS										
	A	B	C	D	E	F	G	H	I	J	
25K	26.00	2.50	2.50	0.75	24.50	5.00	8.00	4.25	1.90	3/4-10UNC	

Load Cell Wiring: Green: +EXC Black: -EXC White: +SIG Red: -SIG Braided/Yellow: Shield

Interchangeable Products | Massload ML-1100

Order Information

B-TEK Part No.	Capacity	Coti Part No.
812-100167	25K	CG-SLS 25K Alloy DEB
812-500027	25K	CG-SLS 25K SST DEB



Coti CG-5223 Double Ended Shear Beam

DESB, Alloy Steel Load Cell

Specifications

Rated Output: 3.00 mV/V

Safe Overload: 150% Full scale

Excitation Voltage: 10-20 V AC/DC

Input Resistance: 700 ± 10 ohms

Output Resistance: 700 ± 5 ohms

Non-linearity: ± 0.03% Full scale

Hysteresis: ± 0.02% Full scale

Repeatability: ± 0.01% Full scale

Creep: ± 0.02% Full scale

Insulation Resistance: >5000 megohms

Temperature:

Compensated 14°F to 104°F / 10°C to 40°C

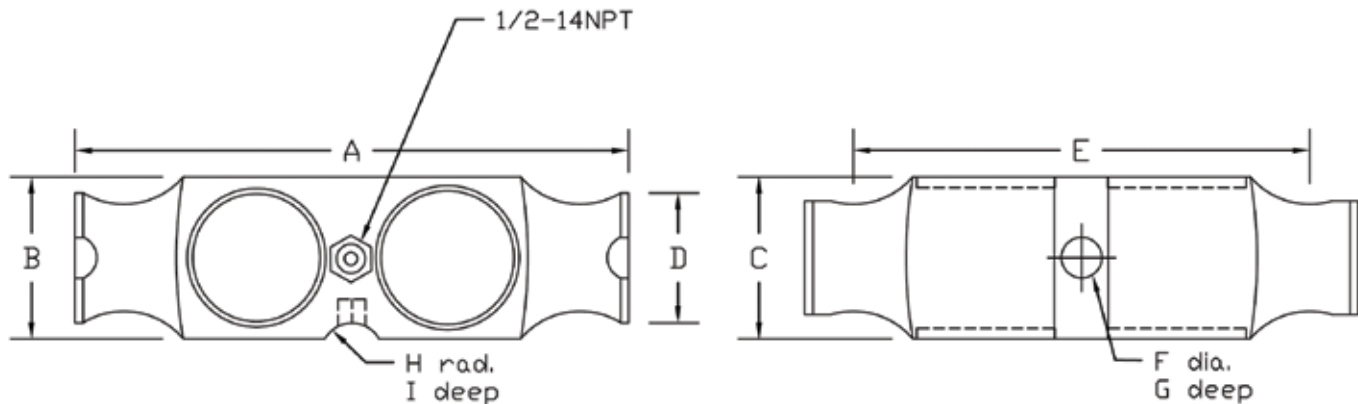
Operating -4°F to 140°F / -20°C to 80°C

Seal Type: Environmentally sealed - IP67

Cable Length: 4 conductor,
50k and 100k: 50ft braided shield
65k: 60ft braided shield



Outline Dimension in inches



RATED CAPACITY	DIMENSIONS										
	A	B	C	D	E	F	G	H	I		
50K-125K	10.25	3.00	3.00	2.40	8.50	0.75	0.78	1.00	0.28		

Load Cell Wiring: Green: +EXC Black: -EXC White: +SIG Red: -SIG Braided/Yellow: Shield

Interchangeable Products | Artech 80210, Revere 5223, Rice Lake RL75223, Sensortronics 65040A-XX-1127W, Thurman TSC800, Totalcomp TDE23, Unibridge DL90000, Zemic HM9E

Order Information

B-TEK Part No.	Capacity	Coti Part No.
812-500010	50K	CG-5223-50K w/50' Braided Shield
812-500009	65K	CG-5223-65K w/60' Braided Shield
812-500011	100K	CG-5223-100K w/50' Braided Shield

Coti CG-BE40 Double Ended Shear Beam

DESB, Alloy Steel Load Cell



Double Ended Shear Beam

Specifications

Rated Output: 3.00 mV/V

Safe Overload: 150% Full scale

Excitation Voltage: 10-20 V AC/DC

Input Resistance: 700 ± 10 ohms

Output Resistance: 700 ± 5 ohms

Non-linearity: ± 0.03% Full scale

Hysteresis: ± 0.02% Full scale

Repeatability: ± 0.01% Full scale

Creep: ± 0.02% Full scale

Temperature:

Compensated 14°F to 104°F / -10°C to 40°C

Operating 4°F to 140°F / -20°C to 60°C

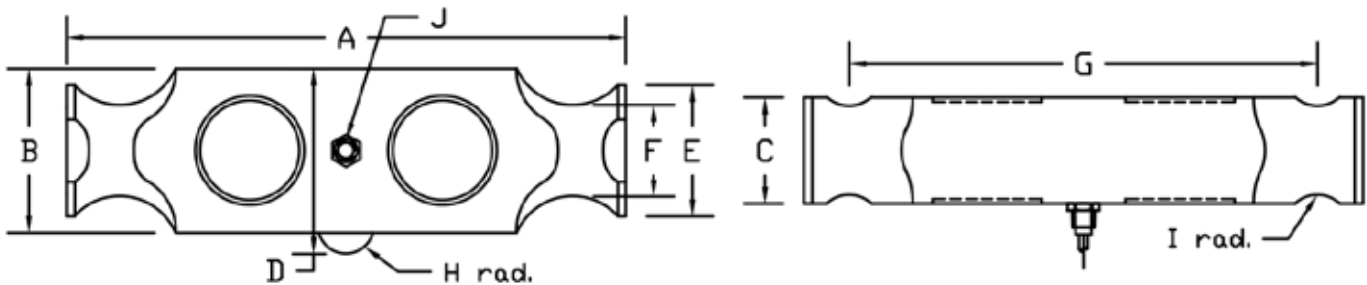
Insulation Resistance: >5000 megohms

Seal Type: Environmentally sealed - IP67

Cable Length: 4 conductor, 50 ft braided shield



Outline Dimension in inches



RATED CAPACITY	DIMENSIONS										
	A	B	C	D	E	F	G	H	I	J	
25K-75KSE	8.25	2.44	1.94	2.97	2.00	1.63	7.25	0.50	0.50	1/4-18NPT	
50K-75K	11.50	2.94	1.94	3.47	2.20	1.70	10.00	1.00	0.75	1/2-14NPT	

Load Cell Wiring: Green: +EXC Black: -EXC White: +SIG Red: -SIG Braided/Yellow: Shield

Interchangeable Products

Sensortronics 65040A, Rice Lake RL75040A, Celtron DLB, Thurman TSC840, Artech 80310

Order Information

B-TEK Part No.	Capacity	Coti Part No.
812-100276	25K	CG-BE40-25K
812-500017	50K SE	CG-BE40-50K-SE
812-100250	60K	CG-BE40-60K-LE
812-100299	60K SE	

Load Cell Tank Mounts

B-TEK Scales, LLC Load Cell and Hardware Catalog

B-TEK Scales, LLC inventory is not limited to this catalog. Please call 800.266.8900 and we can help.

69

B-TEK Scales, LLC

Notes:

B-TEK LCMT Tank Mount

Tank Mount, Carbon and Stainless Steel Mounts

LCMT-CS: Painted carbon steel construction

LCMT-CS: Load cells are plated alloy steel, environmentally protected IP67

LCMT-SS: 304 stainless steel construction

LCMT-SS: Load cells are stainless steel, environmentally protected IP67



B-TEK SETM Tank Mount

Tank Mount, Carbon and Stainless Steel Mounts

SETM-CS: Zinc plated carbon steel construction

SETM-CS: Load cells are plated alloy steel, environmentally protected IP67

SETM-SS: 304 stainless steel construction

SETM-SS: Load cells are stainless steel, environmentally protected IP67



B-TEK DETM Tank Mount

Tank Mount, Carbon and Stainless Steel Mounts

DETM-CS: ZINC plated carbon steel construction - 1,000 to 25,000 lb. cell capacities

DETM-CS: Painted carbon steel construction - 50,000 to 75,000 lb. cell capacities

DETM-CS: Load cells are plated alloy steel, environmentally protected IP67

DETM-SS: 304 stainless steel construction

DETM-SS: Load cells are stainless steel, environmentally protected IP67



B-TEK BTW Tank Mount

Tank Mount, Carbon and Stainless Steel Mounts

EZTM-CS: ZINC plated carbon steel construction - 5,000 to 20,000 lb. cell capacities

EZTM-CS: Painted carbon steel construction - 30,000 to 150,000 cell capacities

EZTM-CS: Load cells are plated alloy steel, environmentally protected IP67

EZTM-SS: 304 stainless steel construction

EZTM-SS: Load cells are stainless steel, environmentally protected IP67



B-TEK LCMT Truck Scale Mount

Truck Scale Mount, Carbon Steel Mounts

Painted carbon steel construction

Double ended shear beam load cell.

Load cells are plated alloy steel, environmentally protected IP67 and 40' of metal braid sheathed cable

Mount assembly uses field proven parallel link type suspension

Used for motor truck scale conversions and heavy industrial platforms



B-TEK LCMT Tank Mount

Tank Mount, Carbon and Stainless Steel Mounts

Specifications

LCMT-CS: Painted carbon steel construction

LCMT-CS: Load cells are plated alloy steel, environmentally protected IP67

LCMT-SS: 304 stainless steel construction

LCMT-SS: Load cells are stainless steel, environmentally protected IP67

Mount assembly is self-checking, self-centering and has anti-tip protection

Used for small hoppers, tanks, bins, conveyors and platforms

Tank Mount Kit Includes:

- B-TEK stainless steel NEMA 4X junction box with signal trim summing board
- Load cells
- Mounts (3 or 4) and assembly hardware
- 25' of B-TEK load cell cable

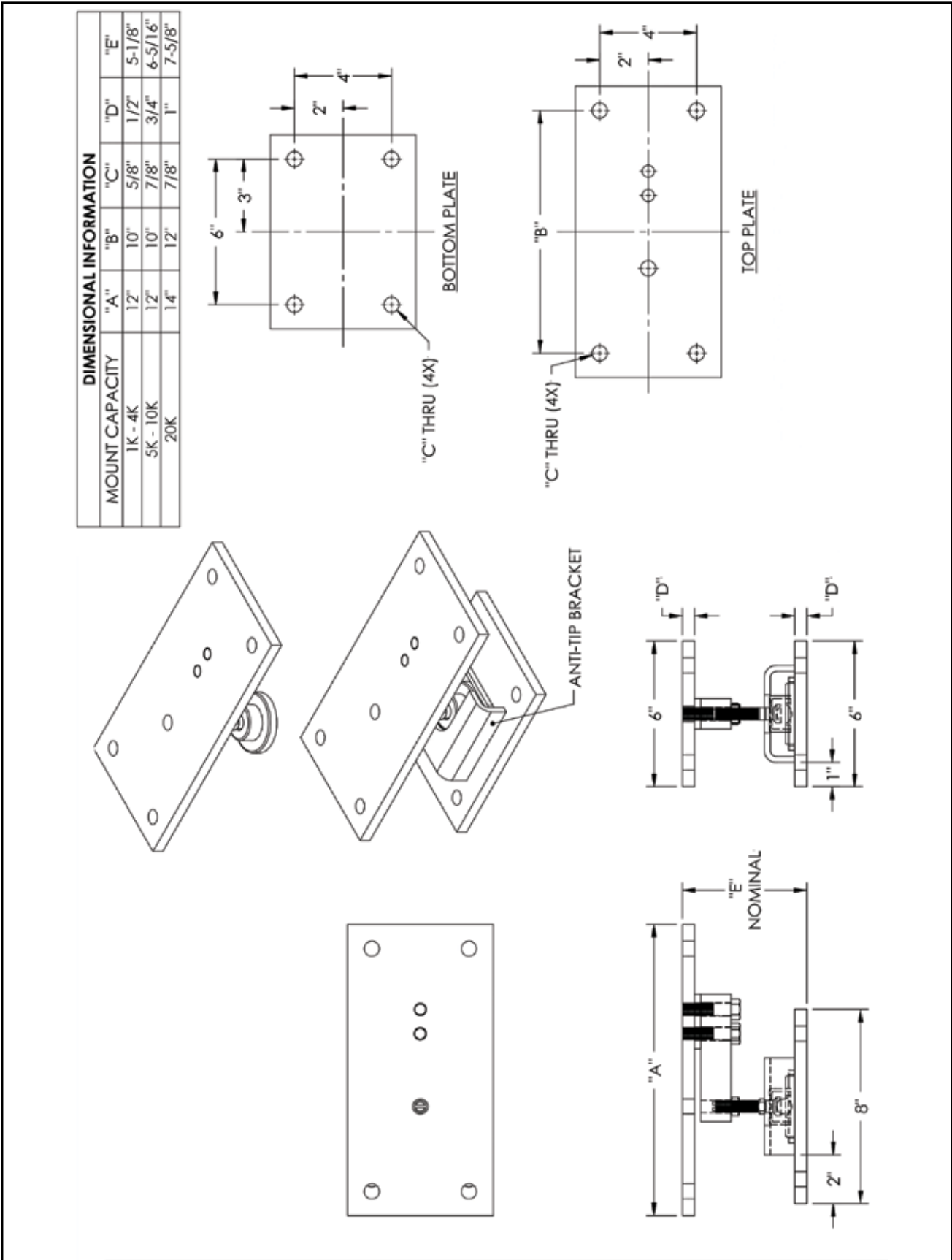


Order Information

B-TEK Part No.	Carbon Steel Single Ended Tank Mount Kit	Total Capacity
915-1101	3 Mount with (3 ea.) 1K load cells	3K lbs
915-1102	3 Mount with (3 ea.) 2.5K load cells	7.5K lbs
915-1103	3 Mount with (3 ea.) 4K load cells	12K lbs
915-1104	3 Mount with (3 ea.) 5K load cells - SE	15K lbs
915-1105	3 Mount with (3 ea.) 5K load cells - LE	15K lbs
915-1106	3 Mount with (3 ea.) 10K load cells	30K lbs
915-1107	3 Mount with (3 ea.) 20K load cells	60K lbs
915-1108	4 Mount with (4 ea.) 1K load cells	4K lbs
915-1109	4 Mount with (4 ea.) 2.5K load cells	10K lbs
915-1110	4 Mount with (4 ea.) 4K load cells	16K lbs
915-1111	4 Mount with (4 ea.) 5K load cells - SE	20K lbs
915-1112	4 Mount with (4 ea.) 5K load cells - LE	20K lbs
915-1113	4 Mount with (4 ea.) 10K load cells	40K lbs
915-1114	4 Mount with (4 ea.) 20K load cells	80K lbs
B-TEK Part No.	Stainless Steel Single Ended Tank Mount Kit	Total Capacity
915-1115	3 Mount with (3 ea.) 1K load cells	3K lbs
915-1116	3 Mount with (3 ea.) 2.5K load cells	7.5K lbs
915-1117	3 Mount with (3 ea.) 4K load cells	12K lbs
915-1118	3 Mount with (3 ea.) 5K load cells - SE	15K lbs
915-1119	3 Mount with (3 ea.) 5K load cells - LE	15K lbs
915-1120	3 Mount with (3 ea.) 10K load cells	30K lbs
915-1121	3 Mount with (3 ea.) 20K load cells	60K lbs
915-1122	4 Mount with (4 ea.) 1K load cells	4K lbs
915-1123	4 Mount with (4 ea.) 2.5K load cells	10K lbs
915-1124	4 Mount with (4 ea.) 4K load cells	16K lbs
915-1125	4 Mount with (4 ea.) 5K load cells - SE	20K lbs
915-1126	4 Mount with (4 ea.) 5K load cells - LE	20K lbs
915-1127	4 Mount with (4 ea.) 10K load cells	40K lbs
915-1128	4 Mount with (4 ea.) 20K load cells	80K lbs

B-TEK LCMT Tank Mount

Tank Mount, Carbon and Stainless Steel Mounts



B-TEK SETM Tank Mount

Tank Mount, Carbon and Stainless Steel Mounts

Specifications

SETM-CS: Zinc plated carbon steel construction

SETM-CS: Load cells are plated alloy steel, environmentally protected IP67

SETM-SS: 304 stainless steel construction

SETM-SS: Load cells are stainless steel, environmentally protected IP67

Mount assembly is self-checking and self-centering

Used for small hoppers, tanks, bins and conveyors

Tank Mount Kit Includes:

- B-TEK stainless steel NEMA 4X junction box with signal trim summing board
- Load cells
- Mounts (3 or 4) and assembly hardware
- 25' of B-TEK load cell cable

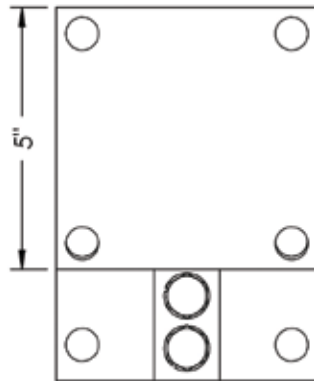
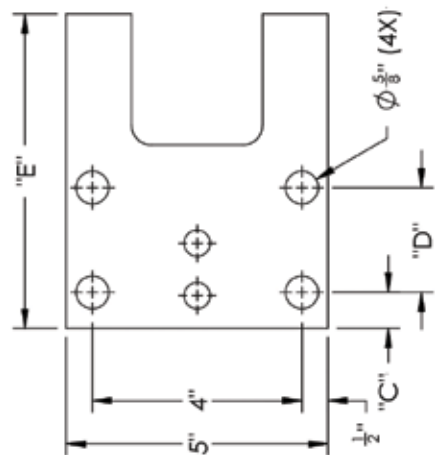
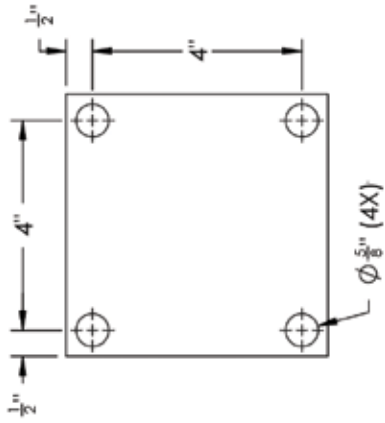
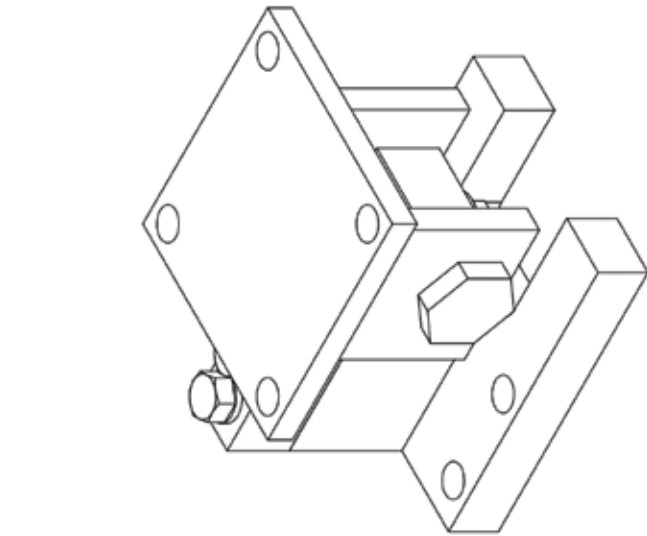


Order Information

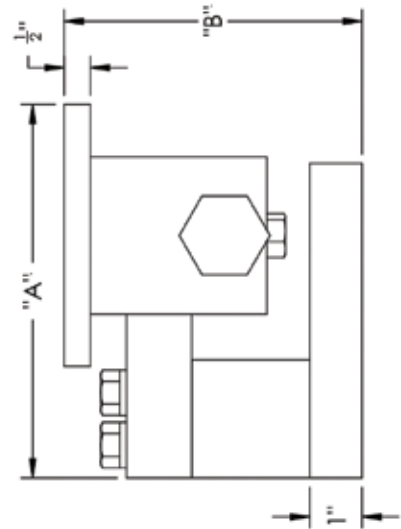
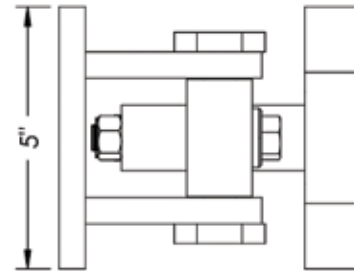
B-TEK Part No.	Carbon Steel Single Ended Tank Mount Kit	Total Capacity
915-2201	3 Mount with (3 ea.) .5K load cells	1.5K lbs
915-2202	3 Mount with (3 ea.) 1K load cells	3K lbs
915-2203	3 Mount with (3 ea.) 2.5K load cells	7.5K lbs
915-2204	3 Mount with (3 ea.) 4K load cells	12K lbs
915-2205	3 Mount with (3 ea.) 5K load cells - SE	15K lbs
915-2206	3 Mount with (3 ea.) 5K load cells - LE	15K lbs
915-2207	3 Mount with (3 ea.) 10K load cells	30K lbs
915-2208	4 Mount with (4 ea.) .5K load cells	2K lbs
915-2209	4 Mount with (4 ea.) 1K load cells	4K lbs
915-2210	4 Mount with (4 ea.) 2.5K load cells	10K lbs
915-2211	4 Mount with (4 ea.) 4K load cells	16K lbs
915-2212	4 Mount with (4 ea.) 5K load cells - SE	20K lbs
915-2213	4 Mount with (4 ea.) 5K load cells - LE	20K lbs
915-2214	4 Mount with (4 ea.) 10K load cells	40K lbs
B-TEK Part No.	Stainless Steel Single Ended Tank Mount Kit	Total Capacity
915-2215	3 Mount with (3 ea.) 1K load cells	3K lbs
915-2216	3 Mount with (3 ea.) 2.5K load cells	7.5K lbs
915-2217	3 Mount with (3 ea.) 4K load cells	12K lbs
915-2218	3 Mount with (3 ea.) 5K load cells - SE	15K lbs
915-2219	3 Mount with (3 ea.) 5K load cells - LE	15K lbs
915-2220	3 Mount with (3 ea.) 10K load cells	30K lbs
915-2221	4 Mount with (4 ea.) 1K load cells	4K lbs
915-2222	4 Mount with (4 ea.) 2.5K load cells	10K lbs
915-2223	4 Mount with (4 ea.) 4K load cells	16K lbs
915-2224	4 Mount with (4 ea.) 5K load cells - SE	20K lbs
915-2225	4 Mount with (4 ea.) 5K load cells - LE	20K lbs
915-2226	4 Mount with (4 ea.) 10K load cells	40K lbs

B-TEK SETM Tank Mount

Tank Mount, Carbon and Stainless Steel Mounts



DIMENSIONAL INFORMATION					
LOAD CELL MOUNT CAPACITY	"A"	"B"	"C"	"D"	"E"
250# - 5K SE	7-1/8"	5-11/16"	11/16"	2"	6"
5K LE - 10K	8-1/2"	6-11/16"	1"	3"	7 3/4"



B-TEK DETM Tank Mount

Tank Mount, Carbon and Stainless Steel Mounts

Specifications

DETM-CS: ZINC plated carbon steel construction - 1,000 to 25,000 lb. cell capacities

DETM-CS: Painted carbon steel construction - 50,000 to 75,000 lb. cell capacities

DETM-CS: Load cells are plated alloy steel, environmentally protected IP67

DETM-SS: 304 stainless steel construction

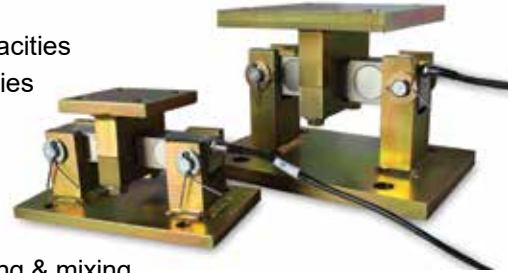
DETM-SS: Load cells are stainless steel, environmentally protected IP67

Mount assembly is self-checking and self-centering

Used for hoppers, tanks, bins & material handling equipment for batching, blending & mixing

Tank Mount Kit Includes:

- B-TEK stainless steel NEMA 4X junction box with signal trim summing board
- Load cells
- Mounts (3 or 4) and assembly hardware
- 25' of B-TEK load cell cable

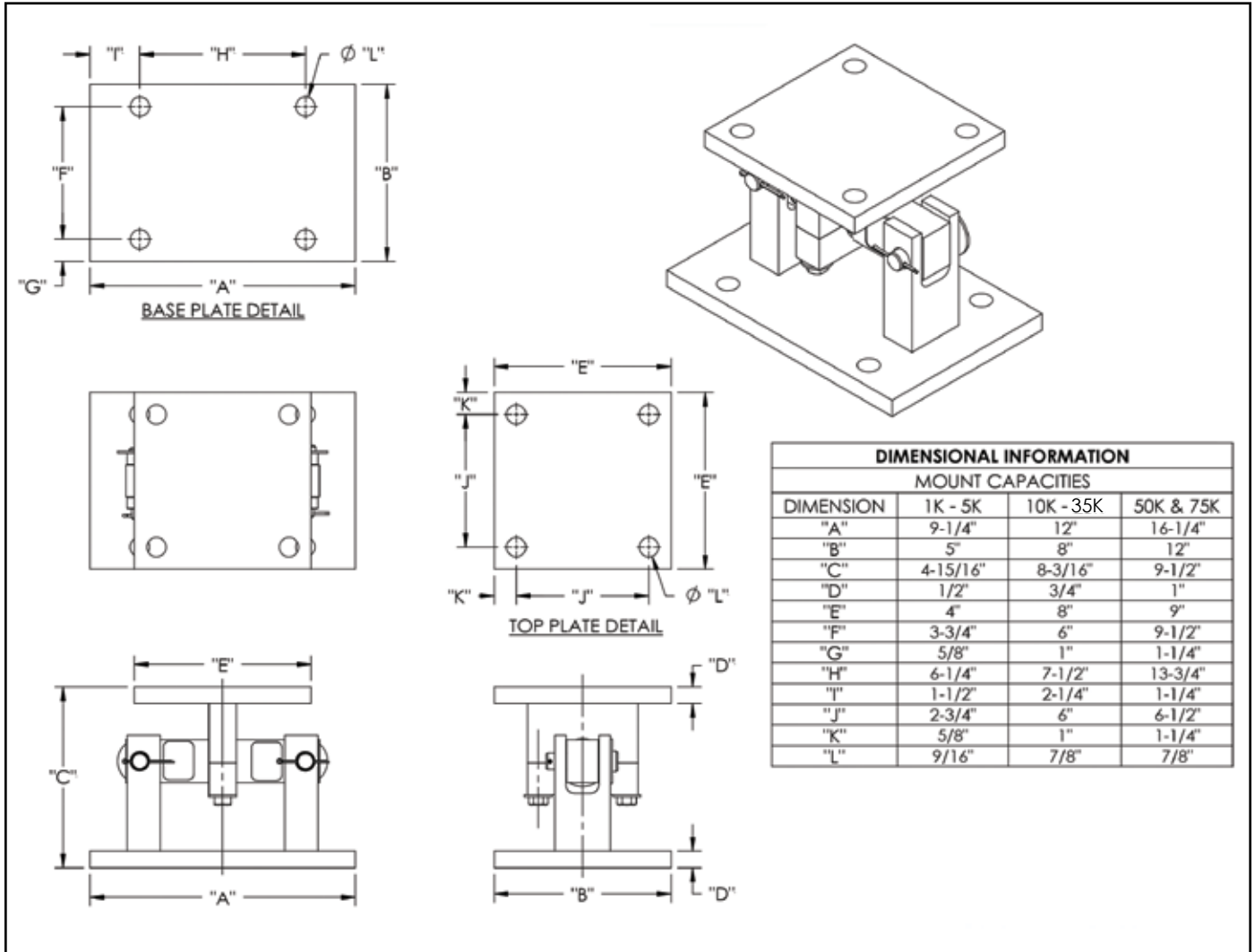


Order Information

B-TEK Part No.	Carbon Steel Double Ended Tank Mount Kit	Total Capacity
915-4401	3 Mount with (3 ea.) 1K load cells	3K lbs
915-4402	3 Mount with (3 ea.) 1.5K load cells	4.5K lbs
915-4403	3 Mount with (3 ea.) 2K load cells	6K lbs
915-4404	3 Mount with (3 ea.) 2.5K load cells	7.5K lbs
915-4405	3 Mount with (3 ea.) 5K load cells	15K lbs
915-4406	3 Mount with (3 ea.) 10K load cells	30K lbs
915-4407	3 Mount with (3 ea.) 15K load cells	45K lbs
915-4408	3 Mount with (3 ea.) 20K load cells	60K lbs
915-4409	3 Mount with (3 ea.) 25K load cells	75K lbs
915-4410	3 Mount with (3 ea.) 50K load cells	150K lbs
915-4411	3 Mount with (3 ea.) 75K load cells	225K lbs
915-4412	4 Mount with (4 ea.) 1K load cells	4K lbs
915-4413	4 Mount with (4 ea.) 1.5K load cells	7K lbs
915-4414	4 Mount with (4 ea.) 2K load cells	8K lbs
915-4415	4 Mount with (4 ea.) 2.5K load cells	10K lbs
915-4416	4 Mount with (4 ea.) 5K load cells	20K lbs
915-4417	4 Mount with (4 ea.) 10K load cells	40K lbs
915-4418	4 Mount with (4 ea.) 15K load cells	60K lbs
915-4419	4 Mount with (4 ea.) 20K load cells	80K lbs
915-4420	4 Mount with (4 ea.) 25K load cells	100K lbs
915-4421	4 Mount with (4 ea.) 50K load cells	200K lbs
915-4422	4 Mount with (4 ea.) 75K load cells	300K lbs
B-TEK Part No.	Stainless Steel Double Ended Tank Mount Kit	Total Capacity
915-4423	3 Mount with (3 ea.) 1K load cells	3K lbs
915-4424	3 Mount with (3 ea.) 1.5K load cells	4.5K lbs
915-4425	3 Mount with (3 ea.) 2K load cells	6K lbs
915-4426	3 Mount with (3 ea.) 2.5K load cells	7.5K lbs
915-4427	3 Mount with (3 ea.) 5K load cells	15K lbs
915-4428	3 Mount with (3 ea.) 10K load cells	30K lbs
915-4429	3 Mount with (3 ea.) 15K load cells	45K lbs
915-4430	3 Mount with (3 ea.) 20K load cells	60K lbs
915-4431	3 Mount with (3 ea.) 25K load cells	75K lbs
915-4432	3 Mount with (3 ea.) 50K load cells	150K lbs
915-4433	3 Mount with (3 ea.) 75K load cells	225K lbs

B-TEK DETM Tank Mount

Tank Mount, Carbon and Stainless Steel Mounts



Order Information

B-TEK Part No.	Stainless Steel Double Ended Tank Mount Kit	Total Capacity
915-4434	4 Mount with (4 ea.) 1K load cells	4K lbs
915-4435	4 Mount with (4 ea.) 1.5K load cells	7K lbs
915-4436	4 Mount with (4 ea.) 2K load cells	8K lbs
915-4437	4 Mount with (4 ea.) 2.5K load cells	10K lbs
915-4438	4 Mount with (4 ea.) 5K load cells	20K lbs
915-4439	4 Mount with (4 ea.) 10K load cells	40K lbs
915-4440	4 Mount with (4 ea.) 15K load cells	60K lbs
915-4441	4 Mount with (4 ea.) 20K load cells	80K lbs
915-4442	4 Mount with (4 ea.) 25K load cells	100K lbs
915-4443	4 Mount with (4 ea.) 50K load cells	200K lbs
915-4444	4 Mount with (4 ea.) 75K load cells	300K lbs

B-TEK BTW Tank Mount

Tank Mount, Carbon and Stainless Steel Mounts

Specifications

EZTM-CS: ZINC plated carbon steel construction - 5,000 to 20,000 lb. cell capacities

EZTM-CS: Painted carbon steel construction - 30,000 to 150,000 cell capacities

EZTM-CS: Load cells are plated alloy steel, environmentally protected IP67

EZTM-SS: 304 stainless steel construction

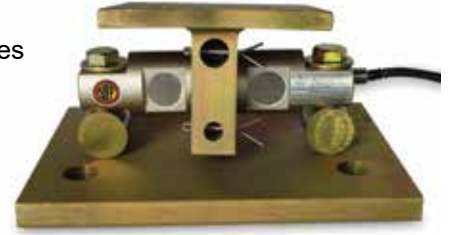
EZTM-SS: Load cells are stainless steel, environmentally protected IP67

Mount assembly is self-centering and self-checking

Used for hoppers, tanks, bins, material handling equipment for batching, blending and mixing

Tank Mount Kit Includes:

- B-TEK stainless steel NEMA 4X junction box with signal trim summing board
- Load cells
- Mounts (3 or 4) and assembly hardware
- 25' of B-TEK load cell cable



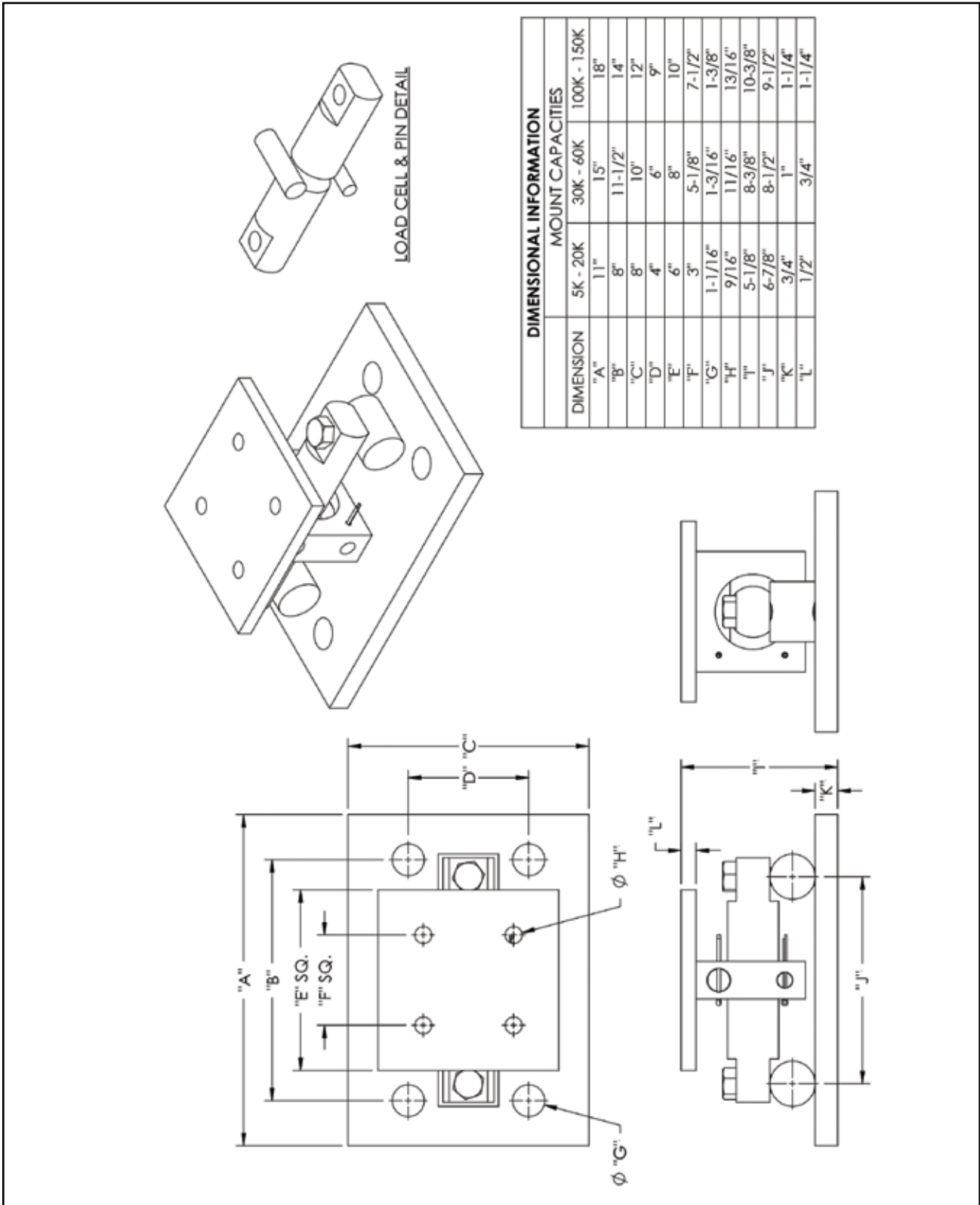
Order Information

B-TEK Part No.	Carbon Steel Double Ended Tank Mount Kit	Total Capacity
915-5501	3 Mount with (3 ea.) 5K load cells	15K lbs
915-5502	3 Mount with (3 ea.) 10K load cells	30K lbs
915-5503	3 Mount with (3 ea.) 20K load cells	60K lbs
915-5504	3 Mount with (3 ea.) 30K load cells	90K lbs
915-5505	3 Mount with (3 ea.) 40K load cells	120K lbs
915-5506	3 Mount with (3 ea.) 50K load cells	150K lbs
915-5507	3 Mount with (3 ea.) 60K load cells	180K lbs
915-5529	3 Mount with (3 ea.) 100K load cells	300K lbs
915-5508	4 Mount with (4 ea.) 5K load cells	20K lbs
915-5509	4 Mount with (4 ea.) 10K load cells	40K lbs
915-5510	4 Mount with (4 ea.) 20K load cells	80K lbs
915-5511	4 Mount with (4 ea.) 30K load cells	120K lbs
915-5512	4 Mount with (4 ea.) 40K load cells	160K lbs
915-5513	4 Mount with (4 ea.) 50K load cells	200K lbs
915-5514	4 Mount with (4 ea.) 60K load cells	240K lbs
915-5530	4 Mount with (4 ea.) 100K load cells	400K lbs

B-TEK Part No.	Stainless Steel Double Ended Tank Mount Kit	Total Capacity
915-5515	3 Mount with (3 ea.) 5K load cells	15K lbs
915-5516	3 Mount with (3 ea.) 10K load cells	30K lbs
915-5517	3 Mount with (3 ea.) 20K load cells	60K lbs
915-5518	3 Mount with (3 ea.) 30K load cells	90K lbs
915-5519	3 Mount with (3 ea.) 40K load cells	120K lbs
915-5520	3 Mount with (3 ea.) 50K load cells	150K lbs
915-5521	3 Mount with (3 ea.) 60K load cells	180K lbs
915-5522	4 Mount with (4 ea.) 5K load cells	20K lbs
915-5523	4 Mount with (4 ea.) 10K load cells	40K lbs
915-5524	4 Mount with (4 ea.) 20K load cells	80K lbs
915-5525	4 Mount with (4 ea.) 30K load cells	120K lbs
915-5526	4 Mount with (4 ea.) 40K load cells	160K lbs
915-5527	4 Mount with (4 ea.) 50K load cells	200K lbs
915-5528	4 Mount with (4 ea.) 60K load cells	240K lbs

B-TEK BTW Tank Mount

Tank Mount, Carbon and Stainless Steel Mounts



B-TEK LCMT Truck Scale Mount

Truck Scale Mount, Carbon Steel Mounts

Specifications

Painted carbon steel construction

Double ended shear beam load cell.

Load cells are plated alloy steel, environmentally protected IP67 and 40' of metal braid sheathed cable

Mount assembly uses field proven parallel link type suspension

Used for motor truck scale conversions and heavy industrial platforms

Tank Mount Kit Includes:

Load cell, base mount, chair plate, loops and chair-pin

Mount-only packages include mounts & hardware only



Order Information

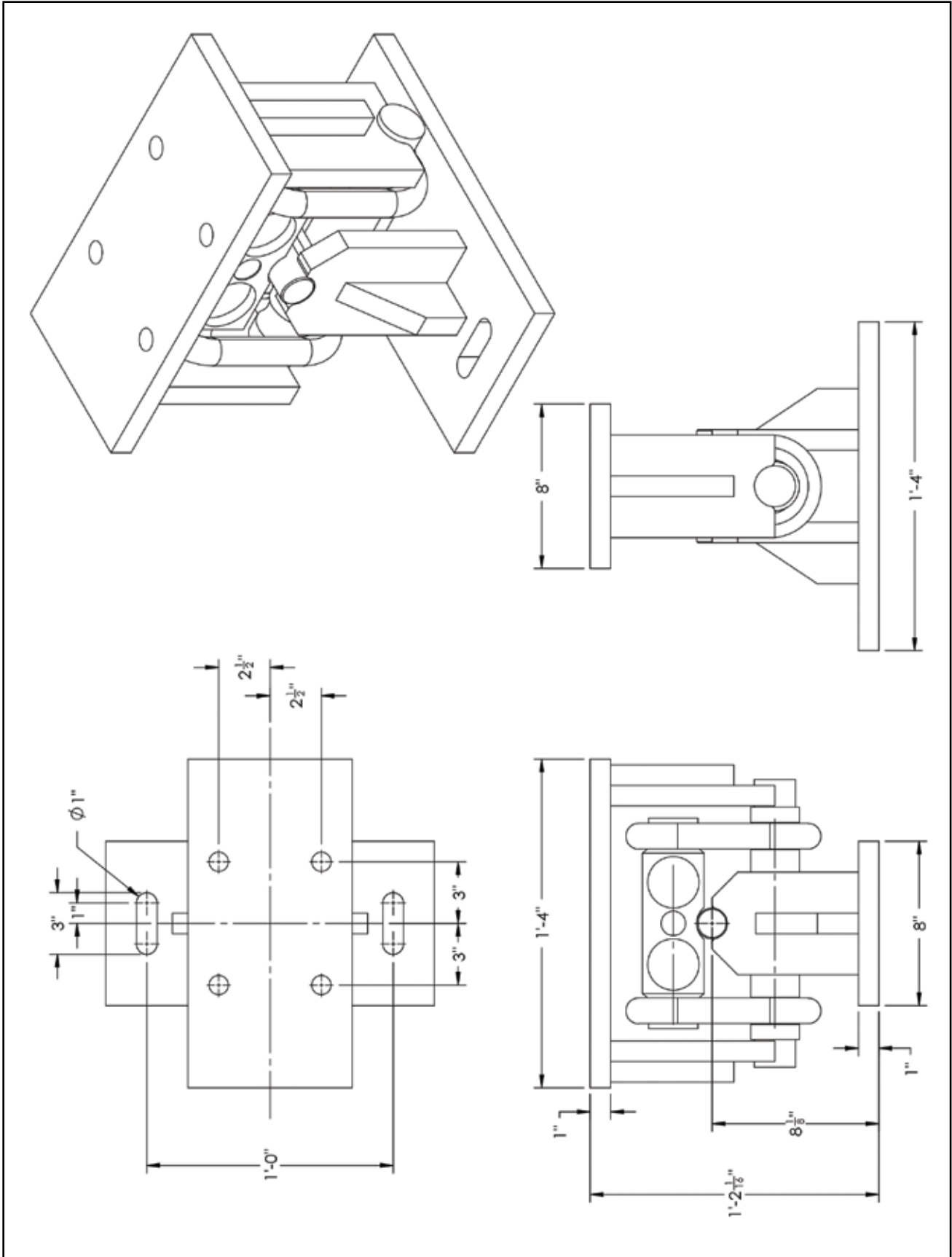
B-TEK Part No.	Total Capacity
915-3301	50K lbs
915-3302	65K lbs
915-3303	100K lbs

B-TEK Part No.	Mount Assembly Parts
812-500002	5223-B10- 50K DESB Plated Tool Steel Load Cell
812-500003	5223-B10- 65K DESB Plated Tool Steel Load Cell
812-500001	5223-B10- 100K DESB Plated Tool Steel Load Cell
400-150000	Link, FE 1.25-1 Forged Link (Loop)
400-160000	Chair Pin 14IN FE 14" Long Chair Pin, Plated
400-160002	Mount / Cell Dowel Pin 5/8" x 1"
FE Replacement Stand	Standard Height DESB Base Mount (Specify Scale S/N)
FE Replacement Chair	Standard Height DESB Chair Plate (Specify Scale S/N)

Link, Pin & Dowel Are Same For 50K - 100K Cells

B-TEK LCMT Truck Scale Mount

Truck Scale Mount, Carbon Steel Mounts



Hardware and Accessories

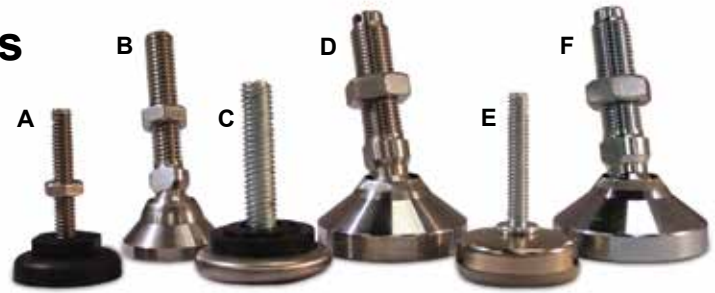
B-TEK Scales, LLC Load Cell and Hardware Catalog

B-TEK Scales, LLC inventory is not limited to this catalog. Please call 800.266.8900 and we can help.

81 | Hardware

Notes:

Bench Scale Foot Assemblies



Order Information

B-TEK Part No.	Foot Design	Foot Dia.	Overall Height	Stem Dia.	Stem Height
911-000002	F Ball/Rubber pad - CS	1.88"	3.13"	1/2" - 20	1.50"
912-000001	D Ball/Rubber pad - SS	1.88"	3.13"	1/2" - 20	1.50"
912-000005	B Ball/Rubber pad - SS	1.25"	2.94"	3/8" - 16	1.75"
911-000016	C Rigid (pack of 4)	1.56"	2.25"	3/8" - 16	1.63"
912-000002	E Rigid/Rubber pad	1.38"	2.13"	1/4" - 20	1.50"
912-000003	A Rubber base-SST Stem	1.25"	2.00"	1/4" - 20	1.50"

Floor Scale Foot Assemblies

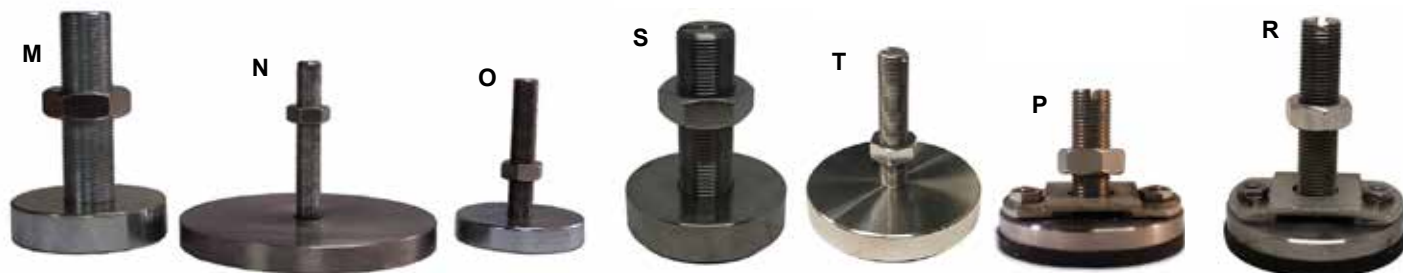


Order Information

B-TEK Part No.	Foot Design	Foot Dia.	Overall Height	Stem Dia.	Stem Height
*911-000036	I Ball - SS	3.00"	5.56"	1" - 14	3.38"
911-000012	F Ball - SS	3.00"	5.56"	1" - 12	4.25"
911-000037	H Ball - SS	3.00"	4.28"	1" - 14	3.00"
911-000035	G Ball - SS	3.00"	3.25"	3/4" - 16	2.25"
911-000014	B Ball - SS	3.00"	3.38"	1/2" - 20	1.50"
*911-000032	D Ball - Integral - SS	2.50"	3.38"	1/2" - 20	2.38"
<i>Interchangeable with 911-000005</i>					
*911-000039	Q Ball - SS	3.00"	4.10"	3/4" - 16	3.09"
911-000017	J Rubber	3.00"	4.00"	3/4" - 16	3.00"
911-000009	L Rubber	3.00"	2.50"	1/2" - 20	1.63"
911-000013	K Rubber- 4 Square	2.50"	3.09"	1/2" - 20	2.31"

***Used in Standard Clydesdale Floor Scales**

Floor Scale Foot Assemblies



B-TEK Part No.	Foot Design	Foot Dia.	Overall Height	Stem Dia.	Stem Height
911-000026	N Rigid	5.00"	3.50"	1/2" - 20	3.00"
911-000025	M Rigid/Rubber pad	3.00"	4.38"	1" - 14	3.50"
911-000043	T Rigid/Rubber pad - SS	3.00"	3.00"	1/2" - 20	2.31"
911-000019	O Rigid	2.50"	3.19"	1/2" - 20	2.63"
911-000041	S Rigid - SS	3.00"	3.75"	1" - 14	2.88"
911-000015	P Swivel Low Profile - SS	2.25"	1.75"	1/2" - 20	1.13"
911-000040	R Swivel Low Profile - SS	2.25"	2.75"	1/2" - 20	2.13"

WorldWEIGH Foot Assemblies



Order Information

B-TEK Part No.	Description
899-300043	B C100 Counting Scale 5-60 lb Foot Assy
899-300044	D C100 Counting Scale 100 lb Foot Assy
899-300050	C C300 WW1314 50/100lb Leveling Foot Assy
899-300066	A C200 12mm 2.5" Dia Foot Assy
899-300056	E WW-4848-5k-FS Leveling Foot Assy

WorldWEIGH C Series/4x4 Floor Scale Replacement Load Cells



899-300033



899-300037



899-300092



899-300057

Order Information

B-TEK Part No.	Capacity	Description
899-300032	6 lb	C100 - 6 lb Replacement Load Cell
899-300033	12 lb	C100 - 12 lb Replacement Load Cell
899-300132	30 lb	C100 - 30 lb Replacement Load Cell
899-300034	60 lb	C100 - 60 lb Replacement Load Cell
899-300035	100 lb	C100 - 100 lb Replacement Load Cell

B-TEK Part No.	Capacity	Description
899-300036	50Kg	C200 Load Cell L6E-50Kg For C200 / 30S
899-300037	100Kg	C200 Load Cell L6G-100Kg For C200 / 60M
899-300038	200Kg	C200 Load Cell L6G-200Kg For C200 / 150M / 150L
899-300039	500Kg	C200 Load Cell L6G-500 Kg For C200 / 300L

B-TEK Part No.	Capacity	Description
899-300048	50 lb	C300 / 50 WW-1214-50-BS Single Point Load Cell
899-300049	100 lb	C300 / 100 WW-1620-100-BS Single Point Load Cell
899-300092	250 lb	C300 / 250 WW-1620-250-BS Single Point Load Cell

B-TEK Part No.	Description
899-300056	WW-4848-5K Stainless Steel Leveling Foot
899-300057	WW-4848-5K Platform Replacement 2K lb Load Cell
899-300104	WW-4848-5K Platform Replacement 2.5K lb Load Cell
899-300058	WW-4848 Stainless Steel Junction Box
899-300059	WW-4848 Floor Scale 4-cell Summing Board
899-300060	14' Poly Coated Metal Braid Cable with DB-9 Connector
899-300061	(2) M16 Lifting Eye Bolt
899-300062	1/2-20 Fine Thread 2" Mounting Bolt for Load Cell each
899-300128	48" x 36" Tread Plate Mild Steel Ramp w/Foot Retaining

4 Conductor Interface Cable

Specifications

- 22AWG / Polypro Insulation / PVC Jacketed / Shielded

Order Information



B-TEK Part No.	Description
861-000001	4 Conductor Interface Intercom cable

Standard 7-Wire Load Cell Cable

Specifications

- 22AWG / Polypro Insulation / PVC Jacketed / Shielded

Order Information



B-TEK Part No.	Description
861-000004	B-TEK 7-Wire LC Cable by the Foot

6 Conductor Analog Interconnect Cable

Specifications

- 18AWG / Copper Conductor / Insulated / Jacketed / Shielded

Order Information



B-TEK Part No.	Description
861-000029	6 Conductor Analog Interconnect cable

Tinned Copper Braided Sheath 7-Wire Load Cell Cable

Specifications

- 22AWG / Polypro Insulation / PVC Jacketed / Shielded

Order Information



B-TEK Part No.	Description
861-000026	B-TEK Sheathed 7-Wire LC Cable by the Foot

#6 Copper Ground Cable

Specifications

- 6AWG
- PVC Jacketed / Shielded / Green

Order Information



B-TEK Part No.	Description
861-000006	#6 Copper Ground Cable @ specific cut lengths p/ft.

T-Grip Molding w/Barbs

Order Information



B-TEK Part No.	Description
900-100000	CG-T Grip Molding w/Barbs per Foot Std Roll Size is 143 Feet Individual Cut lengths

Surge Voltage Protection Devices



875-000057



877-000232



877-000233



877-000423

Order Information

B-TEK Part No.	Description
875-000057	AC Line 4-Outlet Surge Protector
877-000232	RS-232 In-line Surge Protection and RS-422 - (1) DB9 Male, (1) DB9 Female
877-000233	RS-232 In-line Surge Protection Screw terminal connector on each end of case
877-000423	RS-422 In-line Surge Protection Screw terminal connector on each end of case

Wire Security Seals



Order Information

B-TEK Part No.	Description
863-000031	#30 Galvanized Wire - 22" - bundle of 100

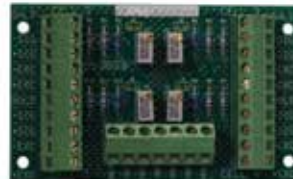
Floor Scale Junction Boxes and Summing Boards



864-000008



864-000015



862-000029
862-000012



862-000025

Order Information

B-TEK Part No.	Description
864-000008	NEMA4 FRP Jbox w/4 cell signal trim summing card - JB2000
863-000025	NEMA4 FRP Jbox w/cord grips only
864-000015	NEMA4x SST Jbox w/4 cell signal trim summing card - JB2000
863-000022	NEMA4x SST Jbox w/cord grips only
862-000012	Signal Trim Summing Card 4 Cell JB2000 - 100K Pots
862-000029	Signal Trim Summing Card 4 Cell JB2000 - 50K Pots
862-000025	Signal Trim Summing Card 4 Cell - AX200/AX300
862-000026	Summing Card No Trim 4 Cell - AX200/AX300 (Standard)
864-000026	NEMA4x SST Jbox FM w/4 cell signal trim summing card
864-000037	Low profile 6 cell stainless steel junction box
864-000030	CG-FM Approved ABS Junction Box and Signal Trim Board

Motor Truck Scale Junction Boxes and Summing Boards

Truck Scale FRP JBox and Board - 3/8"

- NEMA4x FRP Jbox with 4-Cell Summing Board with terminal screw connectors
- 3/8" Bottom Cord Grips
- Fully assembled - 8" x 6" x 4"



Order Information

B-TEK Part No.	Description
864-000023	Truck Scale FRP Junction Box & Board

Truck Scale FRP JBox and Board - 1/2"

- NEMA4x FRP Jbox with 4-Cell Summing Board with terminal screw connectors
- 1/2" Bottom Cord Grips
- Fully assembled - 8" x 6" x 4"



Order Information

B-TEK Part No.	Description
864-000024	Truck Scale FRP Junction Box & Board

Truck Scale FRP JBox and Board - 1/2"

- NEMA4x FRP Jbox with 4-Cell Summing Board - JB1000
- 1/2" Bottom Cord Grips
- Fully Assembled - 10" x 8" x 6"

Available while supplies last. To be discontinued.



Order Information

B-TEK Part No.	Description
864-000017	Truck Scale - FRP Junction Box & Board

Truck Scale FRP JBox and Board - 3/8"

- Board with Spring Connectors
- 3/8" Cord Grips - (Side Entry Cord Grips)



Order Information

B-TEK Part No.	Description
864-000034	Truck Scale - FRP Junction Box & Board

Truck Scale FRP JBox and Board - 1/2"

- Board with Spring Connectors
- 1/2" Cord Grips - (Side Entry Cord Grips)



Order Information

B-TEK Part No.	Description
864-000033	Truck Scale FRP Junction Box & Analog Board

Truck Scale SST JBox, Card and Cord Grips - 3/8"

- NEMA 4x SST Jbox with 4-Cell Summing Board with terminal screw connectors
- 3/8" Cord Grips
- Fully assembled - 10" x 8" x 4"



Order Information

B-TEK Part No.	Description
864-000027	Truck Scale SST JBox, 4-Cell Summing Card & Cord Grips

Truck Scale SST JBox, Card and Cord Grips - 1/2"

- NEMA 4x SST Jbox with 4-Cell Summing Board with spring connectors
- 1/2" Cord Grips
- Fully assembled - 10" x 8" x 4"



Order Information

B-TEK Part No.	Description
864-000028	Truck Scale SST JBox, 4-Cell Summing Card & Cord Grips

Truck Scale Polycarbonate JBox and Board - 3/8" & 1/2"

- Board 50K Pots with Spring Connectors
- 3/8" & 1/2" Cord Grip Inserts - (Side Entry Cord Grips)
- Fully assembled - 9" x 8" x 2"
- IP68 Quick Latch Enclosure with Breather
- Split Expansion Ports for Easy Troubleshooting
- Low Profile for Easier Wiring
- Compatible with Board 862-000030
- 100-70003A Adaptor Bracket Available for Enclosure Upgrades



Order Information

B-TEK Part No.	Description
864-000041	Truck Scale - FRP Junction Box & Board

B-TEK Scales, LLC inventory is not limited to this catalog. Please call 800.266.8900 and we can help.

Motor Truck Scale Junction Boxes and Summing Boards

Truck Scale FRP JBox - 3/8"

- No Board
- NEMA4x FRP Jbox
- 3/8" Cord Grips
- Fully assembled - 10" x 8" x 6"

Order Information



B-TEK Part No.	Description
863-000009	Truck Scale FRP Junction Box

Truck Scale FRP JBox - 1/2"

- No Board
- NEMA4x FRP Jbox
- 1/2" Cord Grips
- Fully assembled - 10" x 8" x 6"

Order Information



B-TEK Part No.	Description
863-000029	Truck Scale FRP Junction Box

Truck Scale FRP JBox

- No Board
- NEMA4x FRP Jbox, no holes, no cord grips, no back plate
- 10" x 8" x 6"

Order Information



B-TEK Part No.	Description
863-000023	FRP Junction Box

Truck Scale FRP JBox - 1/2"

- No Board
- 1/2" Cord Grips

Order Information



B-TEK Part No.	Description
863-000032	Truck Scale FRP Junction Box

Truck Scale FRP JBox - 3/8"

- No Board
- 3/8" Cord Grips"

Order Information



B-TEK Part No.	Description
863-000033	Truck Scale FRP Junction Box

Truck Scale JBox - 3/8"

- No Board
- Side Entry Cord Grips of 3/8"



Order Information

B-TEK Part No.	Description
863-000036	Truck Scale Junction Box

Truck Scale JBox - 1/2"

- No Board
- Side Entry Cord Grips of 1/2"



Order Information

B-TEK Part No.	Description
863-000037	Truck Scale Junction Box

Truck Scale JBox w/7 Cord Grips - 3/8"

- No Board
- With 7 Cord Grips of 3/8" - For Analog Scales w/3 Junction Boxes



Order Information

B-TEK Part No.	Description
863-000038	Truck Scale Junction Box

Truck Scale JBox w/7 Cord Grips - 1/2"

- No Board
- With 7 Cord Grips of 1/2" - For Analog Scales w/3 Junction Boxes



Order Information

B-TEK Part No.	Description
863-000039	Truck Scale Junction Box

B-TEK Scales, LLC inventory is not limited to this catalog. Please call 800.266.8900 and we can help.

Motor Truck Scale Junction Boxes and Summing Boards

Truck Scale - Board Only

- 4-Cell Summing Card with 100K Pots with Spring Connectors
- Individual, section trim GDT Devices for surge – lightning protection



Order Information

B-TEK Part No.	Description
862-000049	Truck Scale - Board Only

Truck Scale - Board Only

- 4-Cell Summing Card 50K Pots with Spring Connectors
- Individual, section trim GDT Devices for surge – lightning protection
- Split Expansion Ports



Order Information

B-TEK Part No.	Description
862-000030	Truck Scale - Board Only

Truck Scale 4-Cell Summing Card & Back Plate

- 4-Cell Summing Card w/ retrofit aluminum back plate to fit old style
- 10" x 8" x 6" FRP Jbox



Order Information

B-TEK Part No.	Description
862-000028	Truck Scale - 4-Cell Summing Card & Back Plate

Back Plate

- Aluminum 8.875" x 6.875" - standoff's & mounting screws included
- Fits summing card 862-000049
- Used in enclosure 863-000023



Order Information

B-TEK Part No.	Description
863-000040	Back Plate

Truck Scale FRP JBox Retrofit Brackets

- Set of (2) brackets
- Brackets match mounting hole pattern on existing weighbridges
- Adapts 8" x 6" x 3" to 10" x 8" x 6" Enclosure
- See drawing below



Order Information

B-TEK Part No.	Description
862-000048	Truck Scale FRP Junction Box Retrofit Brackets

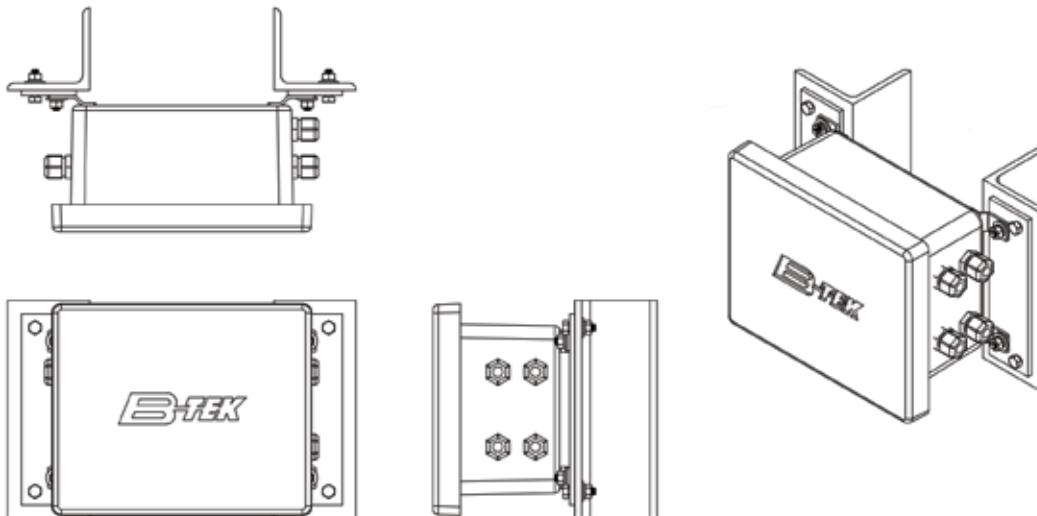
Truck Scale FRP JBox Single Retrofit Bracket

- 1 bracket
- Matches mounting hole pattern on existing weighbridges
- Adapts 8" x 6" x 3" to 10" x 8" x 6" Enclosure
- See drawing below



Order Information

B-TEK Part No.	Description
864-000025	Truck Scale FRP Junction Box Single Retrofit Bracket



Truck Scale Polycarbonate JBox Retrofit Bracket

- 1 bracket and hardware
- Adapts to weighbridges using 8" x 6" x 3" Enclosure



Order Information

B-TEK Part No.	Description
100-70003A	Truck Scale Polycarbonate Junction Box Retrofit Bracket

B-TEK Scales, LLC inventory is not limited to this catalog. Please call 800.266.8900 and we can help.

Load Cell Spacers / Shims



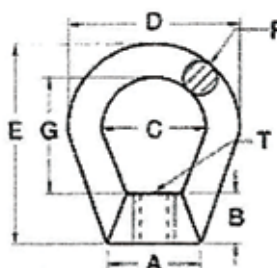
Order Information

B-TEK Part No.	Description
100-72062	Shim 5k/10k SESB CS Cells 1/8 x 2 x 3
100-72062-1	Shim 5k/10k SESB SS Cells 1/8 x 2 x 3
900-100044	Shim CS LC .25 x 1.25 x 2.25
900-100045	Shim SS ST LC .25 x 1.25 x 2.25
900-100106 SHIM	Shim CS SE FS 1/8 x 1.25 x 2.25

Eye Nut Drop Forged Carbon Self Colored

Specifications

- Drop forged steel
- Zinc and clear chrome plated



	T	A	B	C	D	E	F	G		
	Diameter & Thread UNC-2B	Bell	Thread Length	Eye I.D.	Eye O.D.	Overall Length	Ball Dia. Thickness	I.D. Length	Rated Capty. lbs.	Weight
EN3816	3/8-16	7/8	5/8	1 1/4	2	2 1/2	3/8	1 1/2	2,700	0.25
EN1213	1/2-13	7/8	5/8	1 1/4	2	2 1/2	3/8	1 1/2	2,700	0.23
EN5811	5/8-11	1 3/8	3/4	1 1/2	2 1/2	3	1/2	1 3/4	5,000	0.56
EN3410	3/4-10	1 3/8	3/4	1 1/2	2 1/2	3	1/2	1 3/4	5,000	0.55

Order Information

B-TEK Part No.	Size (inches)	Safe Load lbs	Model No.
985-0000	3/8-16 Thread	2.7K	EN3816
985-0001	1/2-13 Thread	2.7K	EN1213
985-0002	5/8-11 Thread	5K	EN5811
985-0003	3/4-10 Thread	5K	EN3410

Do not exceed Safe Load.

Coupling Nut Grade 2 Zinc Plated



Order Information

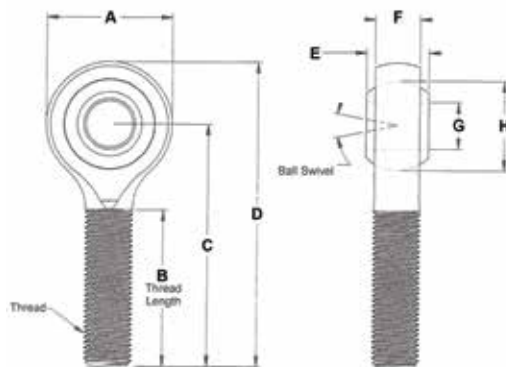
B-TEK Part No.	Size (inches)	Model No.
985-0013	1/4-20 x 1 1/2" x 7/16 W	CN1420
985-0014	3/8-16 x 1 3/4 x 5/8 W	CN3816
985-0015	1/2-13 x 1 3/4 x 11/16 W	CN1213
985-0016	5/8-11 x 2 1/8 x 13/16 W	CN5811
985-0017	3/4-10 x 2 1/4 x 1 1/4 W	CN3410

Rod End Ball Joints

Static Radial Load

Specifications

- Carbon steel, Zinc plated
- Includes Jam Nut



	Thread	A	B	C	D	E	F	G	H	Ball Swivel
RE1428	1/4-28	3/4	1.00	1 9/16	1 15/16	3/8	1/4	1/4	1/2	27° Max
RE3824	3/8-24	1.00	1 1/4	1 15/16	2 7/16	1/2	23/64	3/8	23/32	22° Max
RE1220	1/2-20	1 5/16	1 1/2	2 7/16	3 3/32	5/8	29/64	1/2	15/16	20° Max
RE3416	3/4-16	1 3/4	1 3/4	2 7/8	3 3/4	7/8	19/32	3/4	1 5/16	24° Max
RE1114	1-14	2 3/4	2 1/8	4 1/8	5 1/2	1 3/8	1.00	1.00	1 7/8	17° Max
RE11412	1 1/4-12	2 3/4	2 1/8	4 1/8	5 1/2	1 1/16	15/16	1 1/4	1 51/64	7° Max
RE11212	1 1/2-12	3 1/2	3.00	5 3/8	7 1/8	1 5/16	1 1/8	1 1/2	2 5/32	6.5° Max

Order Information

B-TEK Part No.	Size (inches)	Safe Load lbs	Model No.
985-0067	1/4 - 28 x 1	2,835	RE1428
985-0068	3/8 - 24 x 1 1/4	6,323	RE3824
985-0069	1/2 - 20 x 1 1/2	10,046	RE1220
985-0070	3/4 - 16 x 1 3/4	15,894	RE3416
985-0071	1-14 x 2	43,341	RE1114
985-0072	1 1/4 - 12 x 2	44,500	RE11412
985-0073	1 1/2 - 12 x 3	64,770	RE11212

Do not exceed Safe Load.

Stainless Steel Threaded Adapter with Jam Nuts

Specifications

- Precision machined from stainless steel
- Includes (2) SS jam nuts



Order Information

B-TEK Part No.	Size (inches)	Model No.
985-0074	1/4 - 28 NF	TAS1428
985-0075	1/4 - 28 x 1/4 - 20	TAS1428-1420
985-0076	1/4 - 28 x 3/8 - 24	TAS1428-3824
985-0077	1/4 - 28 x 3/8 - 16	TAS1428-3816
985-0078	1/4 - 20 x 3/8 - 16	TAS1420-3816
985-0079	1/4 - 20 x 3/8 - 24	TAS1420-3824
985-0080	1/4 - 28 x 1/2 - 13	TAS1428-1213
985-0081	3/8 - 24	TAS3824
985-0082	3/8 - 16 x 3/8 - 24	TAS3816-3824
985-0083	3/8 - 24 x 1/2 - 13	TAS3824-1213
985-0084	1/2 - 20	TAS1220
985-0085	1/2 - 20 x 5/8 - 11	TAS1220-5811
985-0086	1/2 - 13 x 5/8 - 11	TAS1213-5811
985-0087	1/2 - 13 x 1/2 - 20	TAS1213-1220
985-0088	3/4 - 10 x 3/4 - 16	TAS3410-3416

Isolated S-Type Tension Alignment / Swivel Isolator

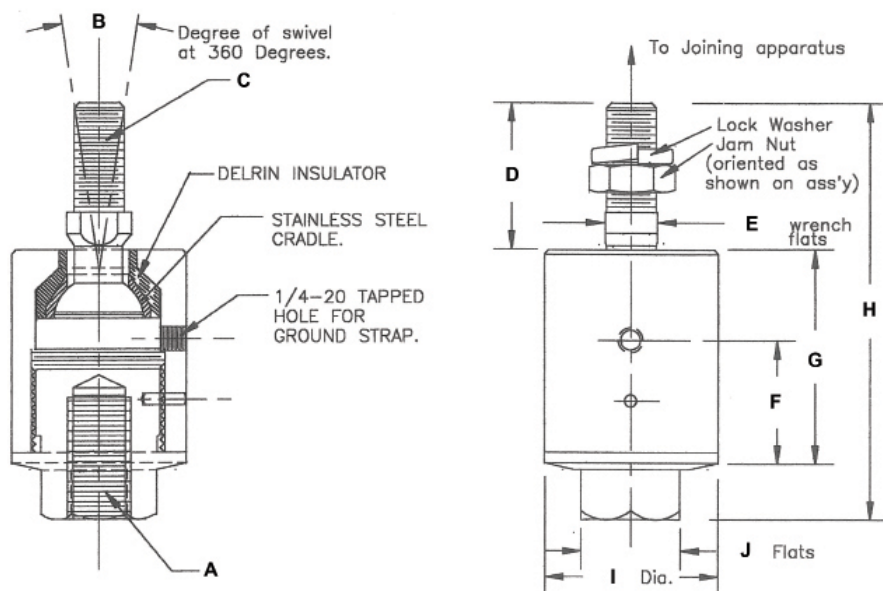


Specifications

- Frictionless nylon self-aligning inserts provide best accuracy in harsh/wet environments
- Load cell is electrically isolated for surge protection; load cell and rod ends not included
- Hardware is zinc-plated for corrosion resistance / load cell stems are stainless steel

- (1) Isolator
- (1) Lock washer
- (1) Hex nut

- (1) 4/20 machine screw for termination of grounding strap



	Thread A	B	C	D	Wrench Flats E	F	G	H	Dia. I	Flats J
985-0004	1/4-20 UNC	15°	1/4-28 UNF	1.00	0.25	1.31	2.13	3.55	1.47	0.75
985-0005	3/8-24 NF	15°	3/8-24 NF	1.50	0.50	1.38	2.13	4.13	1.75	1.00
985-0006	1/2-20 NF	15°	1/2-13 UNF	1.56	0.50	1.38	2.13	4.13	1.75	1.00
985-0007	5/8-11 UNC	15°	1/2-20 UNF	1.50	0.50	1.25	2.12	4.12	1.75	1.00
985-0008	3/4-10 UNC	15°	3/4-16 UNF	2.13	0.75	1.45	2.63	5.25	2.47	1.75
985-0009	7/8-9 UNC	15°	3/4-16 UNF	2.25	0.75	1.38	2.62	5.38	2.38	1.75
985-0010	1-12 UNC	15°	1 1/4-7 UNF	2.75	1.00	1.25	2.50	5.75	2.75	1.75
985-0011	1 1/4-7 UNC	15°	1-14 UNF	2.75	1.00	1.25	2.50	5.75	2.75	1.75
985-0012	1 1/2-6 UNC	15°	1 1/4-12 UNF	3.25	1.25	1.50	2.88	6.75	3.5	2.62

Order Information

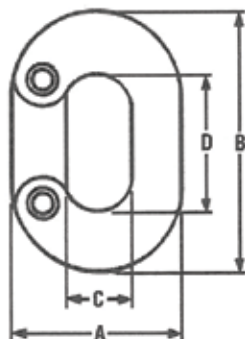
B-TEK Part No.	Size (inches)	Safe Load lbs	Model No.
985-0004	1/4 - 28 NF x 1/4 - 20 NC	300	TAA25020
985-0005	3/8 - 24 NF x 3/8-24 NC	300	TAA35016
985-0006	1/2 - 20 NF x 1/2-13 NC	2.5K	TAA75013
985-0007	1/2 - 20 NF x 5/8 -11 NC	3K	TAA75011
985-0008	3/4 - 16 NF x 3/4 - 10 NC	5K	TAA95010
985-0009	3/4 - 16 NF x 7/8 - 9 NC	10K	TAA95009
985-0010	1 - 12 NF x 1 1/4 - 7 NC	15K	TAA15112
985-0011	1 - 14 NF x 1 1/4 - 7 NC	15K	TAA15114
985-0012	1 1/4 - 12 NF x 1 1/2 - 6 NC	20K	TAA20008

Do not exceed Safe Load.

Connecting Link

Specifications

- Drop forged steel
- Zinc and clear chrome plated



	A	B	C	D	Working Load Limit	Weight
CL14	1.00	1 1/2	7/16	7/8	1,400	0.06
CL38	1 3/8	2 1/8	9/16	1 1/8	2,800	0.18
CL12	1 23/32	2 11/16	21/32	1 7/16	4,750	0.39
CL58	2 1/8	3 3/8	13/16	1 7/8	7,250	0.75
CL34	2 1/2	3 7/8	31/32	2 1/8	10,250	1.16

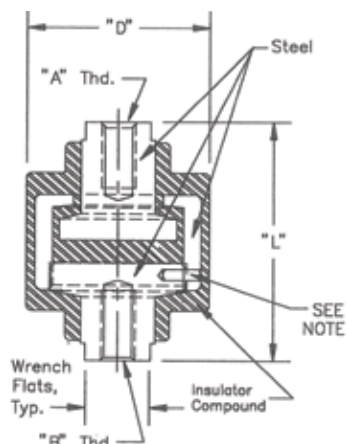
Order Information

B-TEK Part No.	Size (inches)	Safe Load lbs	Model No.
985-0018	1/4	1.4K	CL14
985-0019	3/8	2.8K	CL38
985-0020	1/2	4.75K	CL12
985-0021	5/8	7.25K	CL58
985-0022	3/4	10.25K	CL34

Do not exceed Safe Load.

Black Jacket Load Cell Isolator

Helps to prevent damage to load cells, indicators and/or peripherals from power surges by electrically separating the mechanical assembly from its tension mounted load cell.



	A Thread	B Thread	D Dia.	L	Wrench Flats
YJ3816	3/8-16 UNC	3/8-16 UNC	1.92	2.71	11/16
YJ3824	3/8-24 UNF	3/8-24 UNF	1.92	2.71	11/16
YJ1213	1/2-13 UNC	1/2-13 UNC	1.92	2.71	11/16
YJ1213/1220	1/2-13 UNC	1/2-20 UNF	1.92	2.71	11/16
YJ1220	1/2-20 UNF	1/2-20 UNF	1.92	2.71	11/16
YJ3410	3/4-10 UNC	3/4-10 UNC	2.99	5.50	1 1/2
YJ3416	3/4-16 UNF	3/4-16 UNF	2.99	5.50	1 1/2

Note: Components are joined by threads and roll pin.

Order Information

B-TEK Part No.	Size (inches)	Safe Load lbs	Model No.
985-0035	3/8 - 24 NF	500	YJ3824
985-0036	3/8 - 16 NC	500	YJ3816
985-0037	1/2 - 13 NC	2.5K	YJ1213
985-0038	1/2 - 20 NF	2.5K	YJ1220
985-0039	1/2 - 13 x 1/2 - 20	2.5K	YJ1213/1220
985-0040	3/4 - 10 NC	5K	YJ3410
985-0041	3/4 - 16 NF	5K	YJ3416

Do not exceed Safe Load.

Eyebolt Zinc Plated with Jam Nut

Specifications

- Drop forged, zinc and clear chrome plated
- Jam nut is zinc plated for corrosion resistance



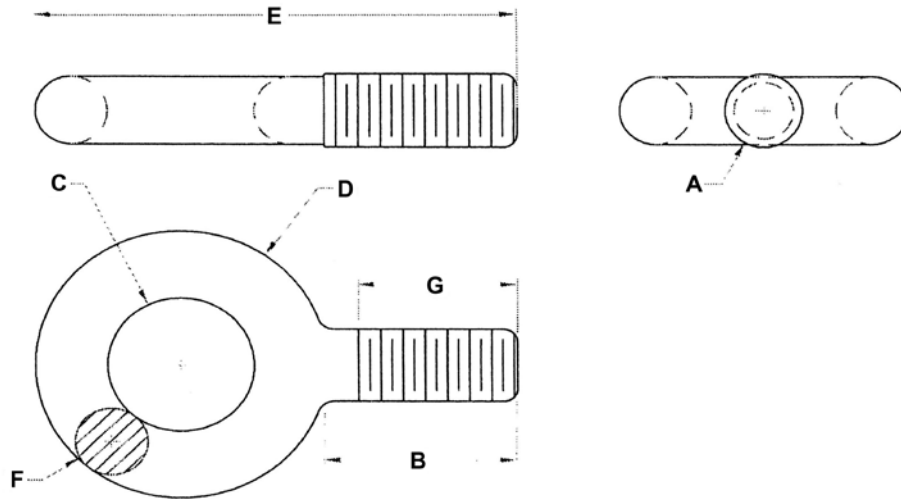
Order Information

B-TEK Part No.	Size (inches)	Safe Load lbs	Model No.
985-0042	1/4 - 28	500	EB1428 - Fine Thread Carbon Steel
985-0043	3/8 - 24	1.3K	EB3824 - Fine Thread Carbon Steel
985-0044	1/2 - 20	2.4K	EB1220 - Fine Thread Carbon Steel
985-0045	3/4 - 16	5K	EB3416 - Fine Thread Carbon Steel
985-0046	1 - 12	9K	EB1012 - Fine Thread Carbon Steel
985-0047	1 - 14	9K	EB1014 - Fine Thread Carbon Steel
985-0048	1 1/4 - 12	15K	EB114-12 - Fine Thread Carbon Steel
985-0049	1 1/2 - 12	20K	EB112-12 - Fine Thread Carbon Steel

B-TEK Part No.	Size (inches)	Safe Load lbs	Model No.
985-0050	1/4 - 20	500	EB1420 - Course Thread Carbon Steel
985-0051	3/8 - 16	1.3K	EB3816 - Course Thread Carbon Steel
985-0052	1/2 - 13	2.4K	EB1213 - Course Thread Carbon Steel
985-0053	5/8 - 11	4K	EB5811 - Course Thread Carbon Steel
985-0054	3/4 - 10	5K	EB3410 - Course Thread Carbon Steel
985-0055	7/8 - 9	7K	EB7809 - Course Thread Carbon Steel
985-0056	1 - 8	9K	EB1008 - Course Thread Carbon Steel
985-0057	1 1/4 - 7	15K	EB114-7 - Course Thread Carbon Steel
985-0058	1 1/2 - 6	21K	EB112-6 - Course Thread Carbon Steel

Do not exceed Safe Load.

Eyebolt Zinc Plated with Jam Nut



	A Thread Dia.-TPI (UNF-2A)	B Shank Length	C Eye I.D.	D Eye O.D.	E Overall Length	F Eye Sec. Dia.	G Min. Thread Length	Rated Capacity (lbs)
EB1428	1/4-28	1.00-1.06	.69-.81	1.19	2.06-2.38	.19-.25	.75	500
EB3824	3/8-24	1.25-1.38	.94-1.06	1.69	2.81-3.19	.31-.38	.88	1,300
EB1220	1/2-20	1.50-1.62	1.12-1.25	2.12	3.50-3.88	.44-.50	1.12	2,400
EB3416	3/4-16	2.00-2.12	1.44-1.56	2.81	4.69-5.06	.62-.69	1.62	5,000
EB1012	1-12	2.50-2.62	1.69-1.81	3.56	5.94-6.31	.88-.94	2.06	9,000
EB1014	1-14	2.50-2.62	1.69-1.81	3.56	5.94-6.31	.88-.94	2.06	9,000
EB114-12	1 1/4-12	3.00-3.12	2.12-2.25	4.44	7.31-7.69	1.09-1.16	2.50	15,000
EB112-12	1 1/2-12	3.50-3.62	2.44-2.56	5.19	8.56-8.94	1.31-1.38	3.00	21,000
EB1420	1/4-20	1.00-1.06	.69-.81	1.19	2.06-2.38	.19-.25	.75	500
EB3816	3/8-16	1.25-1.38	.94-1.06	1.69	2.81-3.19	.31-.38	.88	1,300
EB1213	1/2-13	1.50-1.62	1.12-1.25	2.12	3.50-3.88	.44-.50	1.12	2,400
EB5811	5/8-11	1.75-1.88	1.31-1.44	2.56	4.19-4.56	.56-.62	1.38	4,000
EB3410	3/4-10	2.00-2.12	1.44-1.56	2.81	4.69-5.06	.62-.69	1.62	5,000
EB7809	7/8-9	2.25-2.38	1.56-1.69	3.19	5.31-5.69	.75-.81	1.81	7,000
EB1008	1-8	2.50-2.62	1.69-1.81	3.56	5.94-6.31	.88-.94	2.06	9,000
EB114-7	1 1/4-7	3.00-3.12	2.12-2.25	4.44	7.31-7.69	1.09-1.16	2.50	15,000
EB112-6	1 1/2-6	3.50-3.62	2.44-2.56	5.19	8.56-8.94	1.31-1.38	3.00	21,000

Load Receiver Plate Assembly

Specifications

- 17-4 PH heat treated hardened receiver bearing
- Zinc plated carbon steel receiver base



Order Information

B-TEK Part No.	Size (inches)	Safe Load lbs	Model No.
985-0059	5/8	5K	LRA58
985-0060	7/8	10K	LRA78

Do not exceed Safe Load.

Chrome Steel Ball Bearing



Order Information

B-TEK Part No.	Size (inches)	Safe Load	Model No.
985-0061	5/8 Dia	295K PSI	TS141
985-0062	7/8 Dia	295K PSI	TS142

Do not exceed Safe Load.

Stainless Steel Load Cup

Specifications

- Heat treated / polished stainless steel construction



Order Information

B-TEK Part No.	Size (inches)	Safe Load lbs	Model No.
985-0063	1/2 - 20	5K	LC1220
985-0064	3/4 - 16	5K	LC3416

Do not exceed Safe Load.

Stainless Steel Load Button

Specifications

- Heat treated / polished stainless steel construction



Order Information

B-TEK Part No.	Size (inches)	Safe Load lbs	Model No.
985-0065	1/2 - 20	5K	LB1220
985-0066	3/4 - 16	10K	LB3416

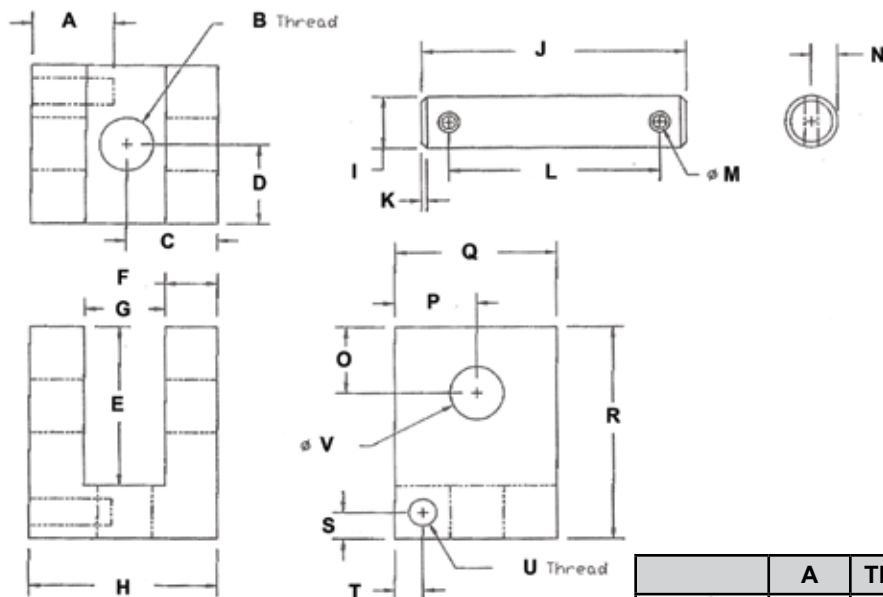
Do not exceed Safe Load.



Clevis Mount Block Complete with Pin / Jam Nut

Specifications

- Not Included: Threaded rods, Rod Ends, or Load Cell
- Includes Zinc or Stainless
 - (1) Clevis
 - (1) Load pin
 - (2) Cotter pins
 - (2) Teflon insulating washers
 - (1) 4/20 machine screw for termination of grounding strap



	A	Thread B	C	D	E	F	G	H
CM1420	0.75	1/4-20	0.75	0.63	1.13	0.50	0.50	1.50
CM3816	0.75	3/8-16	0.75	0.63	1.13	0.44	0.63	1.50
CM1213	0.75	1/2-13	0.88	0.75	1.50	0.50	0.75	1.75
CM5811	0.75	5/8-11	1.23	1.00	1.63	0.63	1.00	2.25
CM3410	0.75	3/4-10	1.13	1.00	1.98	0.63	1.00	2.25

	I	J	K	L	M	N	O	P	Q	R	S	T	Thread U	V
CM1420	0.24	2.00	0.03	1.75	0.06	0.12	0.56	0.63	1.25	1.63	0.25	0.25	1/4-20	0.26
CM3816	0.37	2.00	0.03	1.75	0.06	0.18	0.56	0.63	1.25	1.63	0.25	0.25	1/4-20	0.38
CM1213	0.49	2.50	0.05	2.00	0.13	0.25	0.63	0.75	1.50	2.00	0.25	0.25	1/4-20	0.50
CM5811	0.62	3.00	0.05	2.50	0.13	0.31	0.75	1.00	2.00	2.25	0.25	0.25	1/4-20	0.63
CM3410	0.74	3.00	0.05	2.50	0.13	0.37	1.00	1.00	2.00	2.73	0.25	0.25	1/4-20	0.75

Order Information

B-TEK Part No.	Size (inches)	Safe Load lbs	Model No.
985-0023	1/4 - 20	300	CM1420 - Zinc Plated
985-0024	3/8 - 16	300	CM3816 - Zinc Plated
985-0025	1/2 - 13	2.5K	CM1213 - Zinc Plated
985-0026	5/8 - 11	3K	CM5811 - Zinc Plated
985-0027	3/4 - 10	5K	CM3410 - Zinc Plated
985-0028	1 1/4 - 7	15K	CM1417 - Zinc Plated
985-0029	1 1/2 - 6	20K	CM1216 - Zinc Plated

B-TEK Part No.	Size (inches)	Safe Load lbs	Model No.
985-0030	1/4 - 20	300	CM1420SS - Stainless Steel
985-0031	3/8 - 16	300	CM3816SS - Stainless Steel
985-0032	1/2 - 13	2.5K	CM1213SS - Stainless Steel
985-0033	5/8 - 11	3K	CM5811SS - Stainless Steel
985-0034	3/4 - 10	5K	CM3410SS - Stainless Steel

Do not exceed Safe Load.

Spherical Washer Sets



Stainless - Sets of 2

Carbon - Sets of 2

Order Information

B-TEK Part No.	Size (inches)	Model No. & Description
900-300002	1.0	900-300002 - 1 Stainless Steel
900-300004	0.5	900-300004 - 1/2 Stainless Steel
900-300007	0.75	900-300007 - 3/4 Stainless Steel

B-TEK Part No.	Size (inches)	Model No. & Description
100-130394	2.0	100-130394 - 2 Carbon Steel
900-300008	1.5	900-300008 - 1.5 Carbon Steel
900-300001	1.0	900-300001 - 1 Carbon Steel
900-300006	0.75	900-300006 - 3/4 Carbon Steel
900-300003	0.5	900-300003 - 1/2 Carbon Steel
900-300005	0.25	900-300005 - 1/4 Carbon Steel

Printer Ribbons



Order Information

B-TEK Part No.	Model No. & Description
835-100003	331-0102 Ribbon Spool 1/2" W x 32" L x 1-1/4" Dia 160/260/543/DP8340
835-100010	654-0100 Okidata 182/192/320/321/184/186/3500-S Black Nylon Woven Loop
835-100004	46D-0177 Ribbon TM295 290II M66SA FB50-3930,3960 TOL8807
835-100007	659D-0100 TM300/200/U220/M118
835-100011	655D-0102 Citizen DP600 - IDP 3550
835-100013	660D-0177 Star Micronics SP300 Purple Nylon
835-100014	691D-0177 Star SP200/500/298/2520 Ribbon Purple Nylon
821-550108	PL-180 Print Ribbon

Connectors

5-Position



6-Position



7-Position



Order Information

B-TEK Part No.	Model No. & Description
985-0089	A DMS3106E14S-5S-A-BSN-0 Straight Cable Plug 5 Socket
985-0090	B DMS3106E14S-5P-A-BSN-0 Straight Cable Plug 5 Pin
985-0091	C DMS3101E14S-5S-A-BSN-0 Straight Cable Receptacle 5 Socket
985-0092	D DMS3101E14S-5P-A-BSN-0 Straight Cable Receptacle 5 Pin
985-0093	E DMS3102E14S-5S-A Panel Mount Receptacle 5 Socket
985-0094	F DMS3102E14S-5P-A Panel Mount Receptacle 5 Pin
985-0095	G D/MS25043-14DK Dust Cap for Receptacle Size 14S
985-0096	H D/MS25042-14DK Dust Cap for Plug Size 14S
985-0097	I DMS3101E14S-6S-A-BSN-0 Straight Cable Receptacle 6 Socket
985-0098	J DMS3106E14S-6P-A-BSN-0 Straight Cable Plug 6 Pin
985-0099	K DMS3102E14S-6S-A Panel Mount Receptacle 6 Socket
985-0100	L DMS3102E14S-6P-A Panel Mount Receptacle 6 Pin
985-0101	M DMS3106E14S-6S-A-BSN-0 Straight Cable Plug 6 Socket
985-0102	N DMS3101E14S-6P-A-BSN-0 Straight Cable Receptacle 6 Pin
985-0103	S DMS3102E16S-1P-A Panel Mount Receptacle 7 Pin
985-0104	P DMS3106E16S-1S-A-BSN-0 Straight Cable Plug 7 Socket
985-0105	Q DMS3101E16S-1P-A-BSN-0 Straight Cable Receptacle 7 Pin
985-0106	R DMS3101E16S-1S-A-BSN-0 Straight Cable Receptacle 7 Socket
985-0107	O DMS3106E16S-1P-A-BSN-0 Straight Cable Plug 7 Pin
985-0108	T DMS3102E16S-1S-A Panel Mount Receptacle 7 Socket
985-0109	U D/MS25043-16DK Dust Cap for Receptacle Size 16/16S
985-0110	V D/MS25042-16DK Dust Cap for Plug Size 16/16S
861-000010	(1) Male Circ 5-pin connector w/pigtail end 20 ft IP68
861-000011	(1) Female Circ 5-pin connector w/pigtail end 5 ft IP68